

Description

The F1429LB is a differential input / single-ended output 1.4GHz to 3.2GHz high-gain RF amplifier. The combination of impedance translation, high gain, high linearity, and low noise performance makes this device an ideal first-stage amplifier for a variety of transmitter applications.

The F1429LB is optimized to operate with a single 5V power supply and a nominal 64mA of I_{CC} . When operated at 2.5GHz, the device provides 21.5dB typical gain with 1.9dB noise figure, +40dBm OIP3, and +22dBm OP1dB.

The F1429LB is pin-compatible with Renesas' F1429xx family of RF amplifiers (shown below). Each F1429 variant is packaged in a 2 × 2 mm 12-DFN, with a 100Ω differential RF input and 50Ω single-ended RF output impedances for ease of integration into the signal path.

F1429xx Base Part Number	Differential Input Impedance	DC Feed	Frequency Band	Frequency Coverage
F1429LB	100Ω	No	Low	1.4GHz to 3.2GHz
F1429MB	100Ω	No	Mid	3.0GHz to 4.2GHz
F1429HB	100Ω	No	High	4.0GHz to 6.0GHz

Competitive Advantage

- High gain and excellent gain flatness over frequency
- Standby (STBY) feature
- Differential input to directly interface with transceiver outputs

Typical Applications

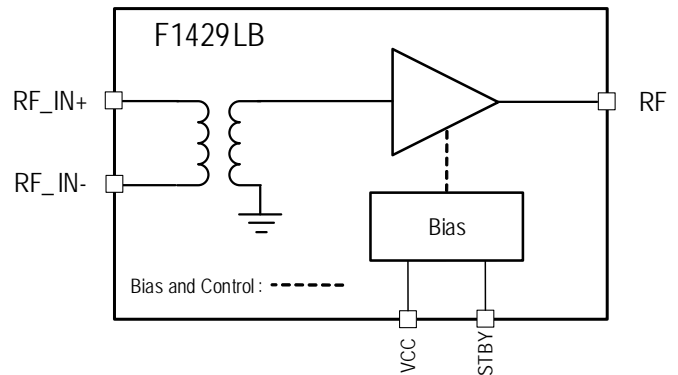
- 5G Massive MIMO base stations
- 4G TDD and FDD base stations
- Repeaters and DAS
- Point-to-point infrastructure

Features

- RF range: 1.4GHz to 3.2GHz
- Gain = 21.5dB typical at 2.5GHz
- Noise figure = 1.9dB typical at 2.5GHz
- OIP3 = +40dBm typical at 2.5GHz
- Output P1dB = +22dBm typical at 2.5GHz
- Gain variation over temperature = ±0.2 typical
- 100Ω differential input impedance
- 50Ω single-ended output impedance
- 3.3V or 5V power supply
- I_{CC} = 64mA at 5V
- 1.3mA standby current
- 1.8V and 3.3V logic support for STBY control
- Operating temperature (T_{EP}) range: -40°C to +115°C
- 2 × 2 mm 12-DFN package

Block Diagram

Figure 1. F1429LB Block Diagram



Contents

Pin Assignments.....	4
Pin Descriptions.....	4
Absolute Maximum Ratings.....	5
Recommended Operating Conditions	5
Electrical Characteristics – 5V Supply.....	6
Electrical Characteristics – 3.3V Supply.....	9
Typical Operating Conditions (TOC)	11
Typical 5V Performance Characteristics.....	12
Typical 3.3V Performance Characteristics.....	14
Evaluation Kit Picture	16
Evaluation Kit Circuit	17
Application Information.....	18
Power Supplies.....	18
Package Outline Drawings	19
Marking Diagram	19
Ordering Information.....	19
Revision History.....	19

List of Figures

Figure 1. F1429LB Block Diagram	1
Figure 2. Pin Assignments for 2 × 2 × 0.75 mm 12-DFN Package – Top View	4
Figure 3. Gain.....	12
Figure 4. Reverse Isolation.....	12
Figure 5. Input Return Loss.....	12
Figure 6. Output Return Loss	12
Figure 7. Output IP3	12
Figure 8. Output P1dB.....	12
Figure 9. Noise Figure.....	13
Figure 10. Amplitude Imbalance.....	13
Figure 11. Phase Imbalance.....	13
Figure 12. CMR	13
Figure 13. Gain.....	14
Figure 14. Reverse Isolation.....	14
Figure 15. Input Return Loss.....	14
Figure 16. Output Return Loss	14
Figure 17. Output IP3	14
Figure 18. Output P1dB.....	14

Figure 19. Noise Figure15

Figure 20. Amplitude Imbalance.....15

Figure 21. Phase Imbalance.....15

Figure 22. CMR15

Figure 23. Evaluation Kit – Top View.....16

Figure 24. Evaluation Kit – Bottom View16

Figure 25. Evaluation Kit Electrical Schematic17

Figure 26. Control Pin Interface for Signal Integrity18

List of Tables

Table 1. Pin Descriptions.....4

Table 2. Absolute Maximum Ratings.....5

Table 3. Recommended Operating Conditions5

Table 4. Electrical Characteristics with a 5V Supply.....6

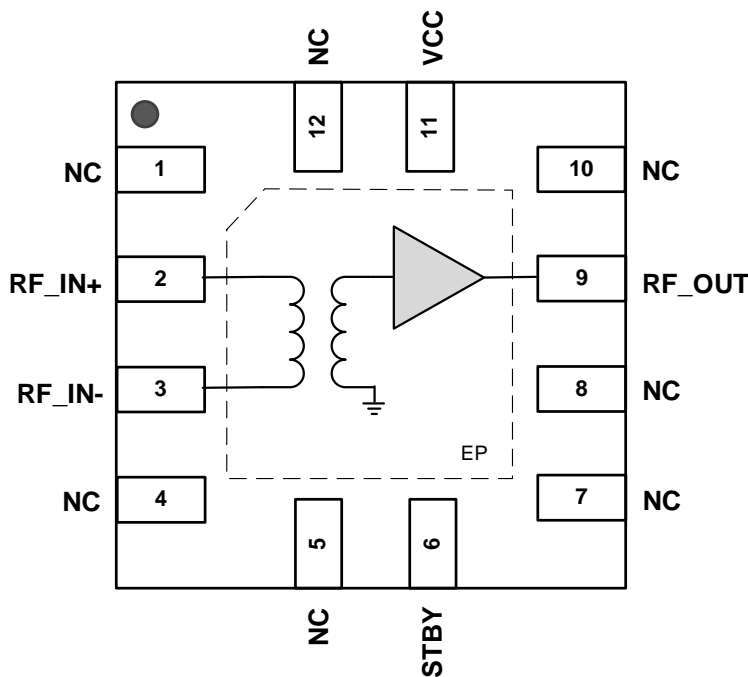
Table 5. Electrical Characteristics with a 3.3V Supply.....9

Table 6. Thermal Characteristics.....11

Table 7. Evaluation Kit Bill of Material (BOM)17

Pin Assignments

Figure 2. Pin Assignments for 2 × 2 × 0.75 mm 12-DFN Package – Top View



Pin Descriptions

Table 1. Pin Descriptions

Number	Name	Description
1, 4, 5, 7, 8, 10, 12	NC	No internal connection. It is highly recommended that these pins be connected to a ground via that is located as close to each pin as possible.
2	RF_IN+	Differential RF input +. Internally tied to ground. Recommendation: Use an external DC block to prevent shorting of any DC voltage that may be present on the preceding RF stage.
3	RF_IN-	Differential RF input -. Internally tied to ground. Recommendation: Use an external DC block to prevent shorting of any DC voltage that may be present on the preceding RF stage.
6	STBY	Standby. If this pin is not connected or is logic LOW, the F1429LB will operate under its normal operating condition. Apply a logic HIGH for STBY.
9	RF_OUT	Single-ended RF output. An external DC block is required.
11	VCC	Connect to the supply voltage via a choke. An external bypass capacitor must be placed as close to the pin as possible.
	- EPAD	Exposed paddle. Internally connected to ground. Solder this exposed paddle to a printed circuit board (PCB) pad that uses multiple ground vias to provide heat transfer out of the F1429LB into the PCB ground planes. These multiple ground vias are also required to achieve the specified RF performance.

Absolute Maximum Ratings

The absolute maximum ratings are stress ratings only. Stresses greater than those listed below can cause permanent damage to the device. Functional operation of the F1429LB at absolute maximum ratings is not implied. Exposure to absolute maximum rating conditions might affect device reliability.

Table 2. Absolute Maximum Ratings

Parameter	Symbol	Minimum	Maximum	Units
VCC to GND	V _{CC}	-0.3	+5.5	V
STBY	V _{STBY}	-0.3	Lower of (5V, V _{CC} + 0.25V)	V
RF Input Power Applied for 24 Hours Maximum (V _{CC} applied, f = 2.5GHz, T _{EP} = +115°C, and input/output VSWR = 1:1 based on a 100Ω system.) ^{[a][b]}	P _{MAX24}		+20	dBm
Storage Temperature Range	T _{STOR}	-65	+150	°C
Lead Temperature (soldering, 10s)	T _{LEAD}		+260	°C
Electrostatic Discharge – Human Body Model (HBM) (JEDEC/ESDA JS-001-2012)	V _{ESDHBM}		1000	V
Electrostatic Discharge – Charge Device Model (CDM) (JEDEC 22-C101F)	V _{ESDCDM}		1500	V

[a] Exposure to these maximum RF levels can result in significant V_{CC} current draw due to overdriving the amplifier stages.

[b] Tested using an external 2:1 transformer at the RF input.

Recommended Operating Conditions

Table 3. Recommended Operating Conditions

Parameter	Symbol	Condition	Minimum	Typical	Maximum	Units
Power Supply Voltage ^[a]	V _{CC}	V _{CC} pins	4.75		5.25	V
Operating Temperature Range	T _{EP}	Exposed paddle temperature	-40		+115	°C
Junction Temperature	T _{JMAX}				150	°C
RF Frequency Range ^[b]	f _{RF}		1.4		3.2	GHz
RF_IN Source Impedance	Z _{RF_IN}	Differential		100		Ω
RF_OUT Load Impedance	Z _{RF_OUT}	Single-ended		50		Ω

[a] Although the device will operate with a minimum supply voltage of 3.15V, the performance of the device has been optimized to operate within a supply voltage range of 4.75V to 5.25V.

[b] To optimize RF performance, different matching components can be used as described in the BOM.

Electrical Characteristics – 5V Supply

See the F1429LB application circuit. Specifications apply when operated at $V_{CC} = +5.0V$, $f_{RF} = 2.5GHz$, $T_{EP} = +25^{\circ}C$, STBY = logic LOW, $Z_S = 100\Omega$ differential, $Z_L = 50\Omega$ single-ended, and EVKit traces and connectors are de-embedded, unless otherwise stated.

Table 4. Electrical Characteristics with a 5V Supply

Note: See important notes at the end of the table.

Parameter	Symbol	Condition	Minimum	Typical	Maximum	Units
Logic Input HIGH Threshold	V_{IH}		1.17^[a]			V
Logic Input LOW Threshold	V_{IL}				0.63	V
Logic Current	I_{IH}, I_{IL}	STBY pin using 1.8V logic	-4		+80	μA
Supply Current	I_{CC}			64	80	mA
Standby Current	I_{CC_STBY}			1.3		mA
Settling Time	t_{SETTLE}	From 50% STBY control to within $\pm 0.5dB$ of final gain		300		ns
RF Input Return Loss	RL_{IN}	$f_{RF} = 1.7GHz$		5		dB
		$f_{RF} = 2.0GHz$		11		
		$f_{RF} = 2.3GHz$		21		
		$f_{RF} = 2.5GHz$		27		
		$f_{RF} = 2.7GHz$		22		
		$f_{RF} = 3.2GHz$		15		
RF Output Return Loss	RL_{OUT}	$f_{RF} = 1.7GHz$		7		dB
		$f_{RF} = 2.0GHz$		11		
		$f_{RF} = 2.3GHz$		13		
		$f_{RF} = 2.5GHz$		13		
		$f_{RF} = 2.7GHz$		12		
		$f_{RF} = 3.2GHz$		10		
Gain	G	$f_{RF} = 1.7GHz$		20.5		dB
		$f_{RF} = 2.0GHz$		22		
		$f_{RF} = 2.3GHz$		22		
		$f_{RF} = 2.5GHz$	19^[c]	21.5		
		$f_{RF} = 2.7GHz$		21.5		
		$f_{RF} = 3.2GHz$		20.5		

Parameter	Symbol	Condition	Minimum	Typical	Maximum	Units	
Gain Flatness (amplitude)	G _{VAR}	f _{RF} = 1.7GHz, ±100MHz		1.7		dB	
		f _{RF} = 2.0GHz, ±100MHz		0.3			
		f _{RF} = 2.3GHz, ±100MHz		0.2			
		f _{RF} = 2.5GHz, ±100MHz		0.3			
		f _{RF} = 2.7GHz, ±100MHz		0.3			
		f _{RF} = 3.1GHz, ±100MHz		0.2			
Gain Variation over Temperature	G _{TEMP}	T _{EP} = -40°C to +115°C		±0.2		dB	
Reverse Isolation	REV _{ISO}			30		dB	
Amplitude Imbalance	IMBAL _{AMP}	Measures RF_IN- to RF_OUT and compares RF_IN+ to RF_OUT amplitude		0.4		dB	
Phase Imbalance	IMBAL _{PH}	Measures RF_IN- to RF_OUT and compares RF_IN+ to RF_OUT phase. Deviation is from ideal 180 degrees		0.8		deg	
Common Mode Rejection	CMR			32.5		dB	
Noise Figure	NF	f _{RF} = 1.7GHz		2.1		dB	
		f _{RF} = 2.0GHz		2.2			
		f _{RF} = 2.3GHz		2.4			
		f _{RF} = 2.5GHz		1.9	2		
		f _{RF} = 2.7GHz		2.1			
		f _{RF} = 3.2GHz		2.4			
Noise Figure Variation over Temperature	NF _{TEMP}	T _{EP} = -40°C to +115°C		±0.6		dB	
Output Third-Order Intercept Point ^[b]	OIP3	f _{RF} = 1.7GHz		38		dBm	
		f _{RF} = 2.0GHz		37			
		f _{RF} = 2.3GHz		37			
		f _{RF} = 2.5GHz	T _{EP} = 25°C		40		
			T _{EP} = -40°C to +115°C	32			
		f _{RF} = 2.7GHz			38		
		f _{RF} = 3.2GHz			38		

Parameter	Symbol	Condition	Minimum	Typical	Maximum	Units
Output P1dB	OP1dB	$f_{RF} = 1.7\text{GHz}$		21		dBm
		$f_{RF} = 2.0\text{GHz}$		21		
		$f_{RF} = 2.3\text{GHz}$		21.5		
		$f_{RF} = 2.5\text{GHz}$	20	22		
		$f_{RF} = 2.7\text{GHz}$		21		
		$f_{RF} = 3.2\text{GHz}$		21		
2 nd Order Harmonic Distortion ^[c]	HD2			-45		dBc
3 rd Order Harmonic Distortion ^[c]	HD3			-91		dBc

- [a] Specifications in the minimum/maximum columns that are shown in ***bold italics*** are guaranteed by test. Specifications in these columns that are not shown in bold italics are guaranteed by design characterization.
- [b] OIP3 test conditions: Tone spacing = 5MHz, $P_{OUT} = +0\text{dBm}/\text{tone}$
- [c] Harmonic Distortion test conditions: $P_{OUT} = +0\text{dBm}/\text{tone}$

Electrical Characteristics – 3.3V Supply

See the F1429LB application circuit. Specifications apply when operated at $V_{CC} = +3.3V$, $f_{RF} = 2.5GHz$, $T_{EP} = +25^{\circ}C$, STBY = logic LOW, $Z_S = 100\Omega$ differential, $Z_L = 50\Omega$ single-ended, and EVKit traces and connectors are de-embedded, unless otherwise stated.

Table 5. Electrical Characteristics with a 3.3V Supply

Note: See important notes at the end of the table.

Parameter	Symbol	Condition	Minimum	Typical	Maximum	Units
Logic Input High Threshold	V_{IH}		1.17 ^[a]			V
Logic Input Low Threshold	V_{IL}				0.63	V
Logic Current	I_{IH}, I_{IL}	STBY pin using 1.8V logic	-4		+80	μA
Supply Current	I_{CC}			31		mA
Standby Current	I_{CC_STBY}			1.4		mA
RF Input Return Loss	RL_{IN}	$f_{RF} = 1.7GHz$		4		dB
		$f_{RF} = 2.0GHz$		9		
		$f_{RF} = 2.3GHz$		15		
		$f_{RF} = 2.5GHz$		18		
		$f_{RF} = 2.7GHz$		17		
		$f_{RF} = 3.2GHz$		13		
RF Output Return Loss	RL_{OUT}	$f_{RF} = 1.7GHz$		8		dB
		$f_{RF} = 2.0GHz$		12		
		$f_{RF} = 2.3GHz$		14		
		$f_{RF} = 2.5GHz$		14		
		$f_{RF} = 2.7GHz$		14		
		$f_{RF} = 3.2GHz$		12		
Gain	G	$f_{RF} = 1.7GHz$		18.5		dB
		$f_{RF} = 2.0GHz$		20		
		$f_{RF} = 2.3GHz$		20		
		$f_{RF} = 2.5GHz$		20		
		$f_{RF} = 2.7GHz$		19.5		
		$f_{RF} = 3.2GHz$		18.5		
Gain Flatness (amplitude)	G_{VAR}	$f_{RF} = 1.7GHz, \pm 100MHz$		1.7		dB
		$f_{RF} = 2.0GHz, \pm 100MHz$		0.4		
		$f_{RF} = 2.3GHz, \pm 100MHz$		0.1		
		$f_{RF} = 2.5GHz, \pm 100MHz$		0.3		
		$f_{RF} = 2.7GHz, \pm 100MHz$		0.4		
		$f_{RF} = 3.1GHz, \pm 100MHz$		0.5		
Gain Variation over Temperature	G_{TEMP}	$T_{EP} = -40^{\circ}C$ to $+115^{\circ}C$		± 0.2		dB

Parameter	Symbol	Condition	Minimum	Typical	Maximum	Units
Reverse Isolation	REV _{ISO}			29		dB
Amplitude Imbalance	IMBAL _{AMP}	Measures RF_IN- to RF_OUT and compares RF_IN+ to RF_OUT amplitude		0.4		dB
Phase Imbalance	IMBAL _{PH}	Measures RF_IN- to RF_OUT and compares RF_IN+ to RF_OUT phase. Deviation is from ideal 180 degrees		1.2		deg
Common Mode Rejection	CMR			32.5		dB
Noise Figure	NF	f _{RF} = 1.4GHz		4		dB
		f _{RF} = 1.7GHz		2.1		
		f _{RF} = 2.0GHz		2.2		
		f _{RF} = 2.3GHz		2.3		
		f _{RF} = 2.5GHz		1.9		
		f _{RF} = 2.7GHz		2.1		
Noise Figure Variation over Temperature	NF _{TEMP}	T _{EP} = -40°C to +115°C		±0.6		dB
Output Third-Order Intercept Point ^[b]	OIP3	f _{RF} = 1.7GHz		28		dBm
		f _{RF} = 2.0GHz		28		
		f _{RF} = 2.3GHz		28		
		f _{RF} = 2.5GHz		28		
		f _{RF} = 2.7GHz		27		
		f _{RF} = 3.2GHz		27		
Output P1dB	OP1dB	f _{RF} = 1.7GHz		17		dBm
		f _{RF} = 2.0GHz		17.5		
		f _{RF} = 2.3GHz		17.5		
		f _{RF} = 2.5GHz		17.5		
		f _{RF} = 2.7GHz		17.5		
		f _{RF} = 3.2GHz		17.5		

[a] Specifications in the minimum/maximum columns that are shown in **bold italics** are guaranteed by test. Specifications in these columns that are not shown in bold italics are guaranteed by design characterization.

[b] OIP3 test conditions: Tone spacing = 5MHz, P_{OUT} = +0dBm/tone

Thermal Characteristics

Table 6. Thermal Characteristics

Parameter	Symbol	Value	Units
Junction-to-Ambient Thermal Resistance.	θ_{JA}	112.57	°C/W
Junction-to-Case Thermal Resistance. (Case is defined as the exposed paddle.)	θ_{JC-BOT}	27.6	°C/W
Moisture Sensitivity Rating (Per J-STD-020)		MSL 1	

Typical Operating Conditions (TOC)

Unless otherwise noted, for the TOC graphs on the following pages, the following conditions apply:

- Evaluation kit connector and trace losses are de-embedded
- $V_{CC} = 3.3V, 5.0V$
- STBY = not connected (internally pulled to logic LOW)
- $T_{EP} = 25^{\circ}C$
- Small signal parameters measured with $P_{OUT} = 0dBm$
- Two tone tests $P_{OUT} = 0dBm/$ tone with 5MHz tone spacing
- All unused ports properly terminated.
- S-parameters (S11, S21, S12, and S22) measured using a de-embedded Differential Board (EVKit) with $Z_S =$ differential 100Ω and $Z_L =$ single-ended 50Ω . The inputs are mathematically combined using an ideal 1:2 ($50\Omega:100\Omega$) transformer to produce the two-port S-parameters.
- OIP3, Output P1dB, and Noise Figure measured using a Transformer Board EVKit with $Z_S = Z_L =$ single-ended 50Ω .
- Amplitude and phase imbalances measures RF_IN+ to RF_OUT and compares to RF_IN- to RF_OUT.
- The phase imbalance is the deviation from an ideal 180 degrees.

Note: The use of the external transformer T1 is included for simple two-port evaluation purposes. At some frequencies, the external transformer interacts with the on-chip balun affecting the gain and noise figure flatness responses. These interactions have been removed from the noise figure TOCs.

Typical 5V Performance Characteristics

Figure 3. Gain

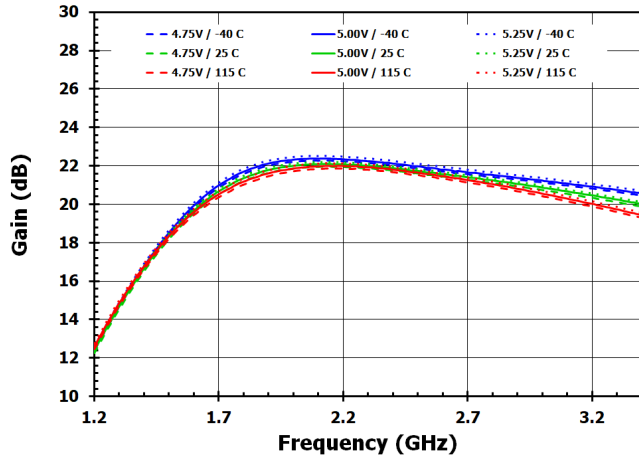


Figure 4. Reverse Isolation

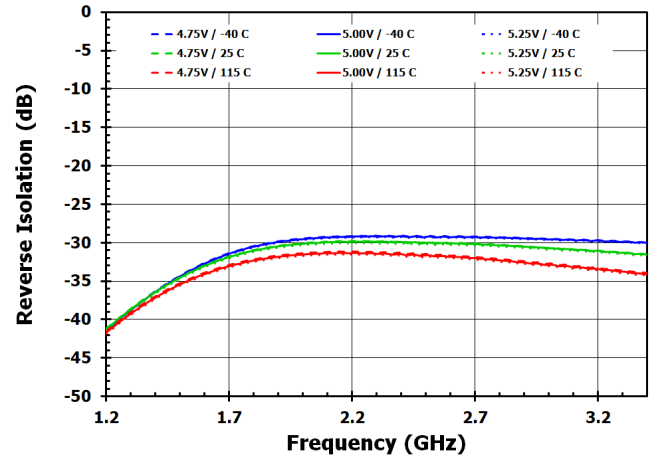


Figure 5. Input Return Loss

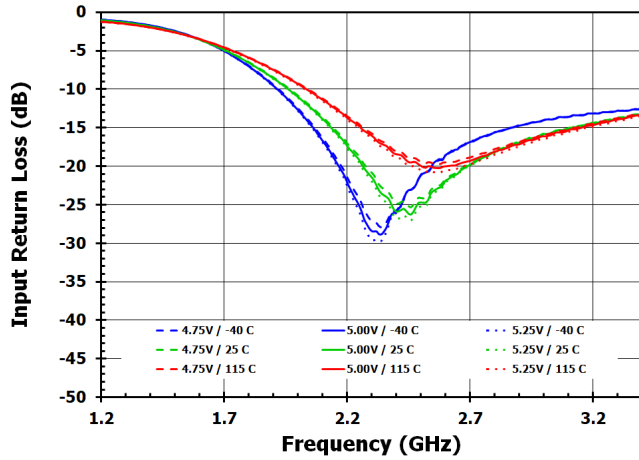


Figure 6. Output Return Loss

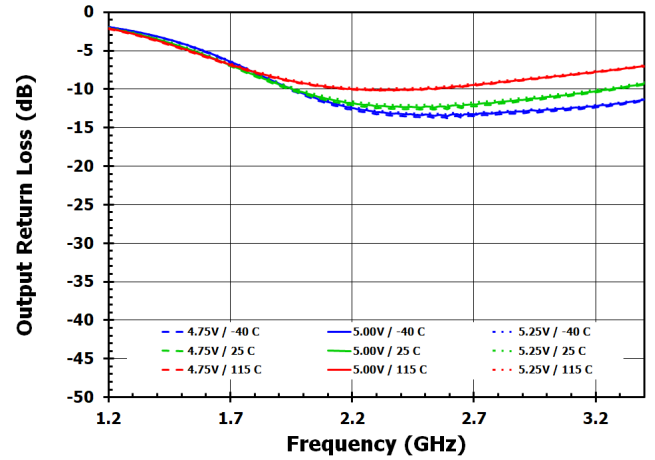


Figure 7. Output IP3

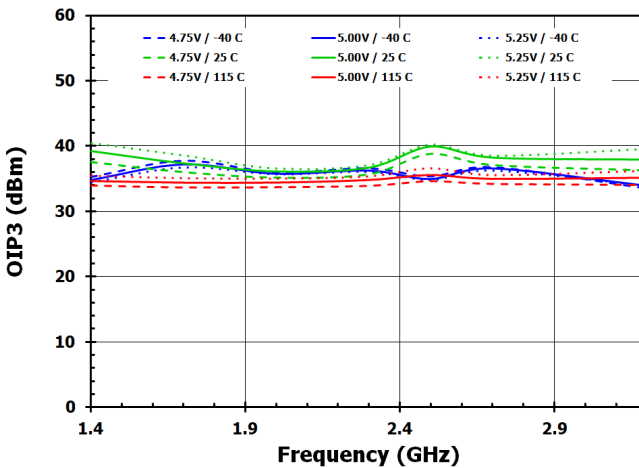


Figure 8. Output P1dB

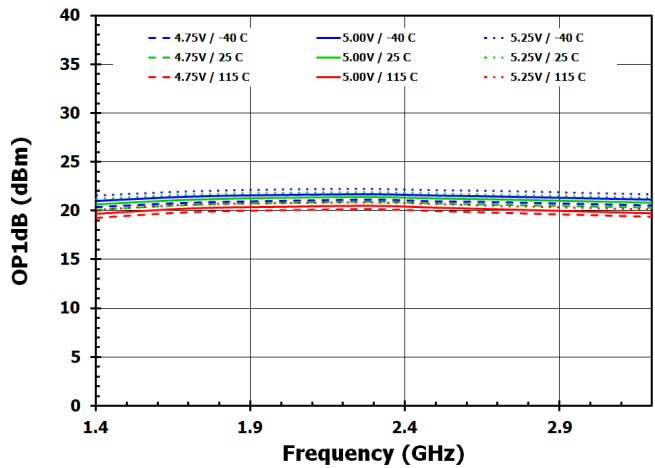


Figure 9. Noise Figure

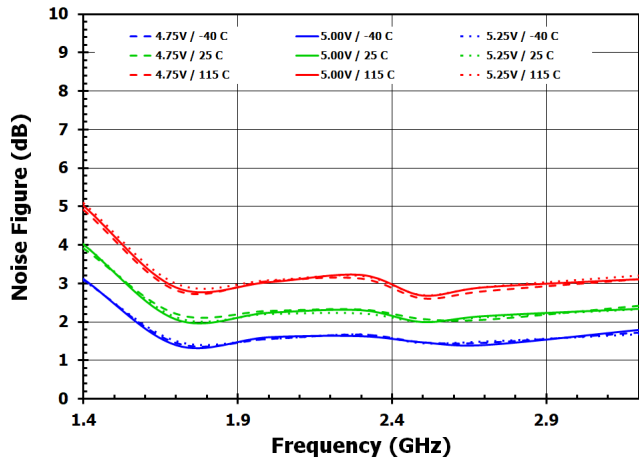


Figure 10. Amplitude Imbalance

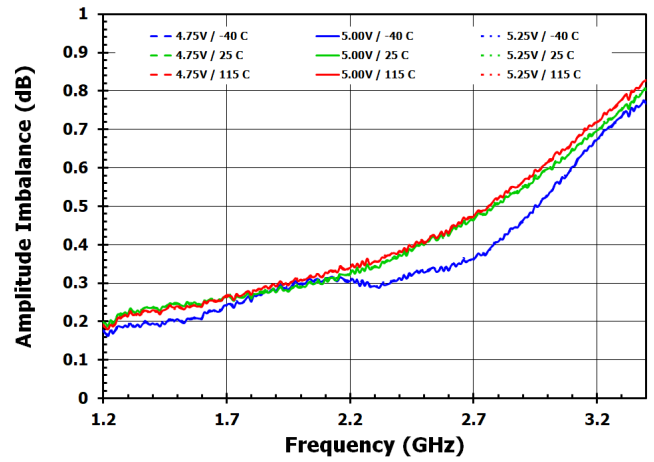


Figure 11. Phase Imbalance

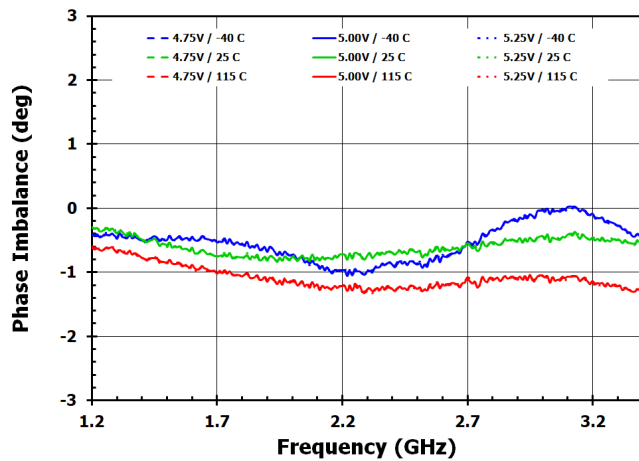
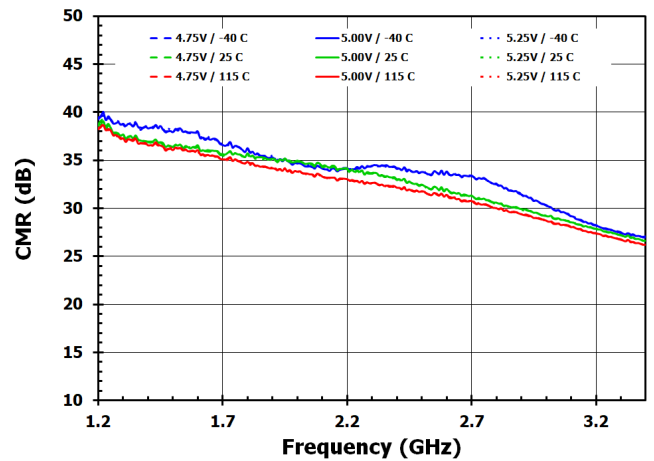


Figure 12. CMR



Typical 3.3V Performance Characteristics

Figure 13. Gain

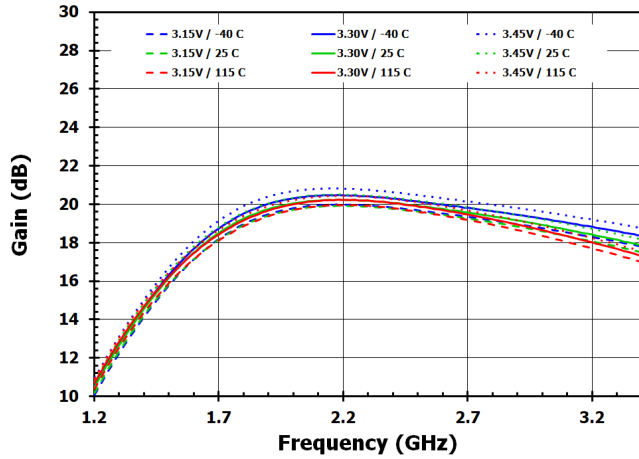


Figure 14. Reverse Isolation

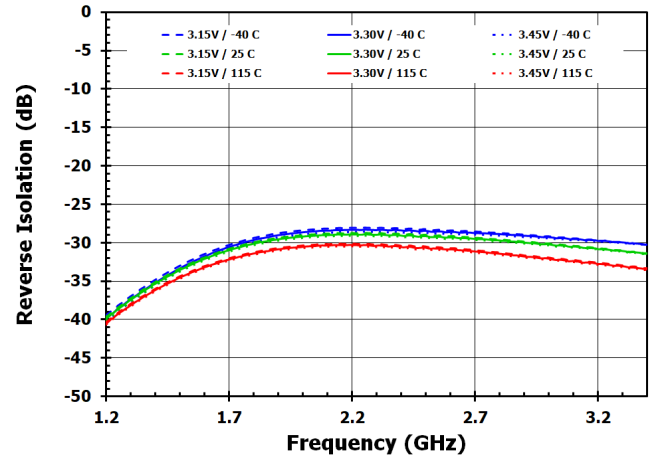


Figure 15. Input Return Loss

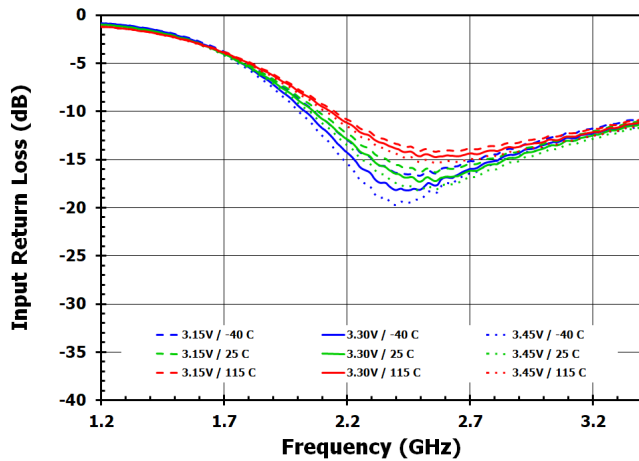


Figure 16. Output Return Loss

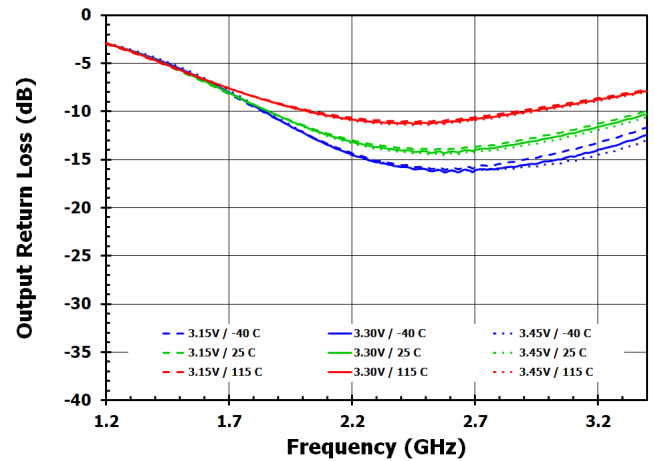


Figure 17. Output IP3

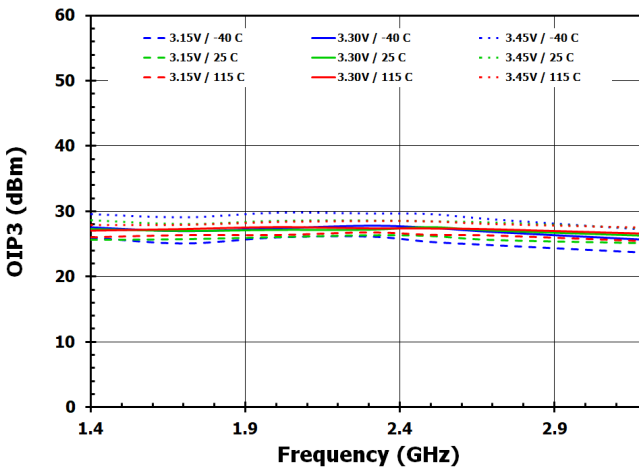


Figure 18. Output P1dB

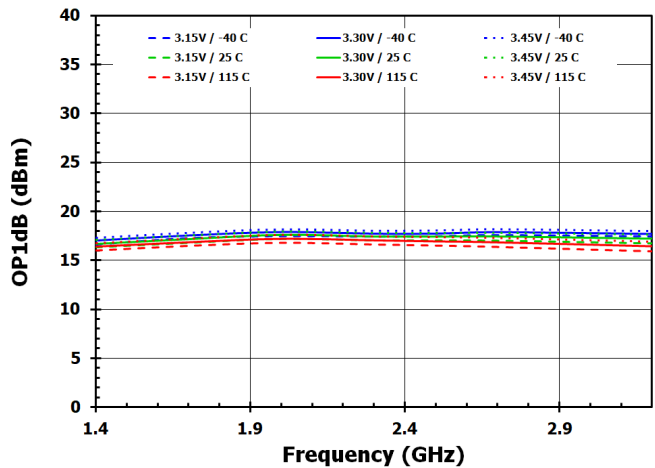


Figure 19. Noise Figure

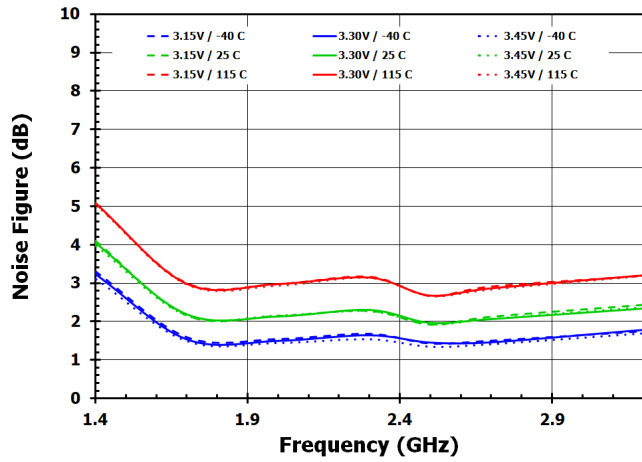


Figure 20. Amplitude Imbalance

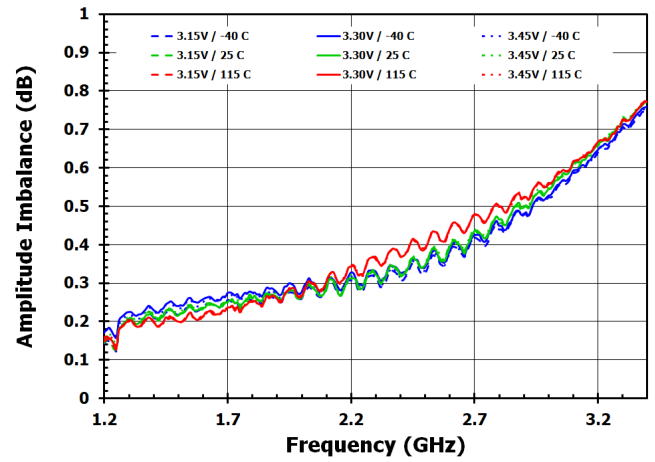


Figure 21. Phase Imbalance

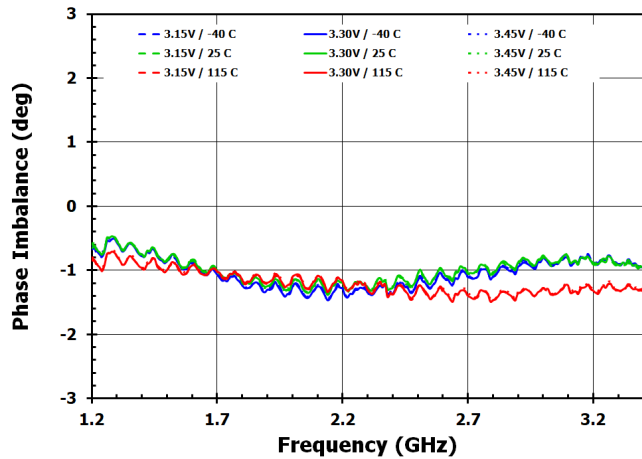
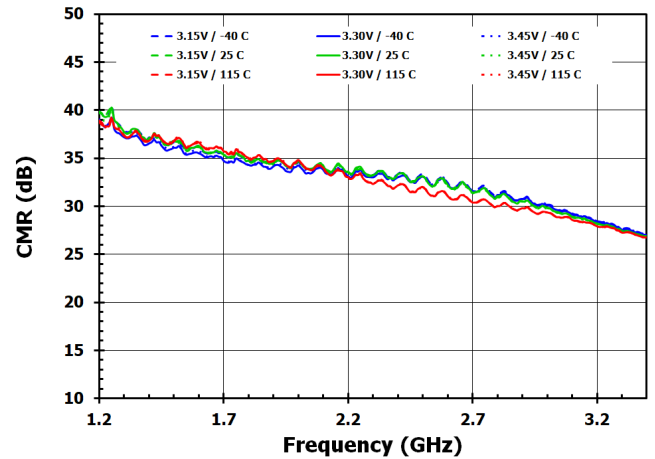


Figure 22. CMR



Evaluation Kit Picture

Figure 23. Evaluation Kit – Top View

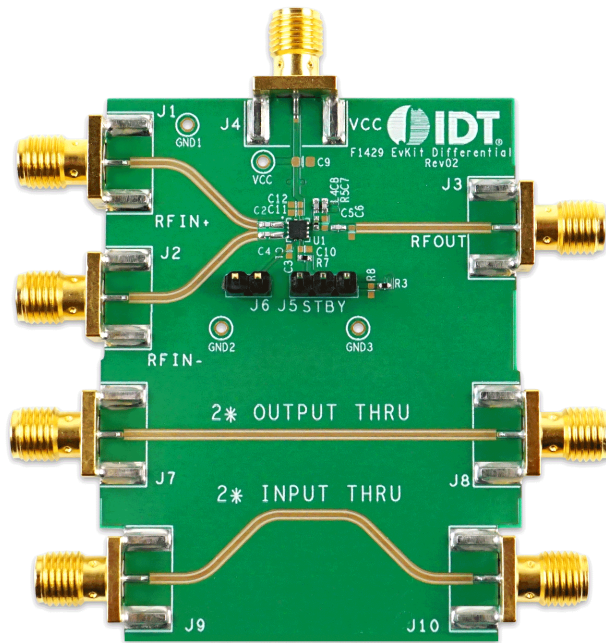
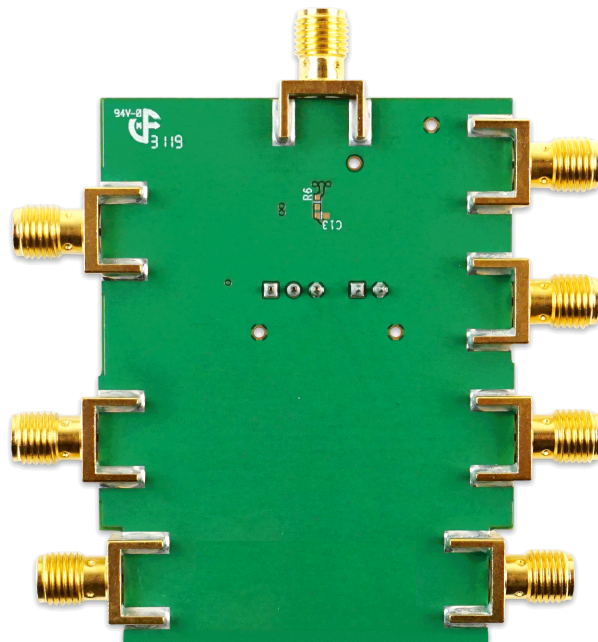


Figure 24. Evaluation Kit – Bottom View



Evaluation Kit Circuit

Figure 25. Evaluation Kit Electrical Schematic

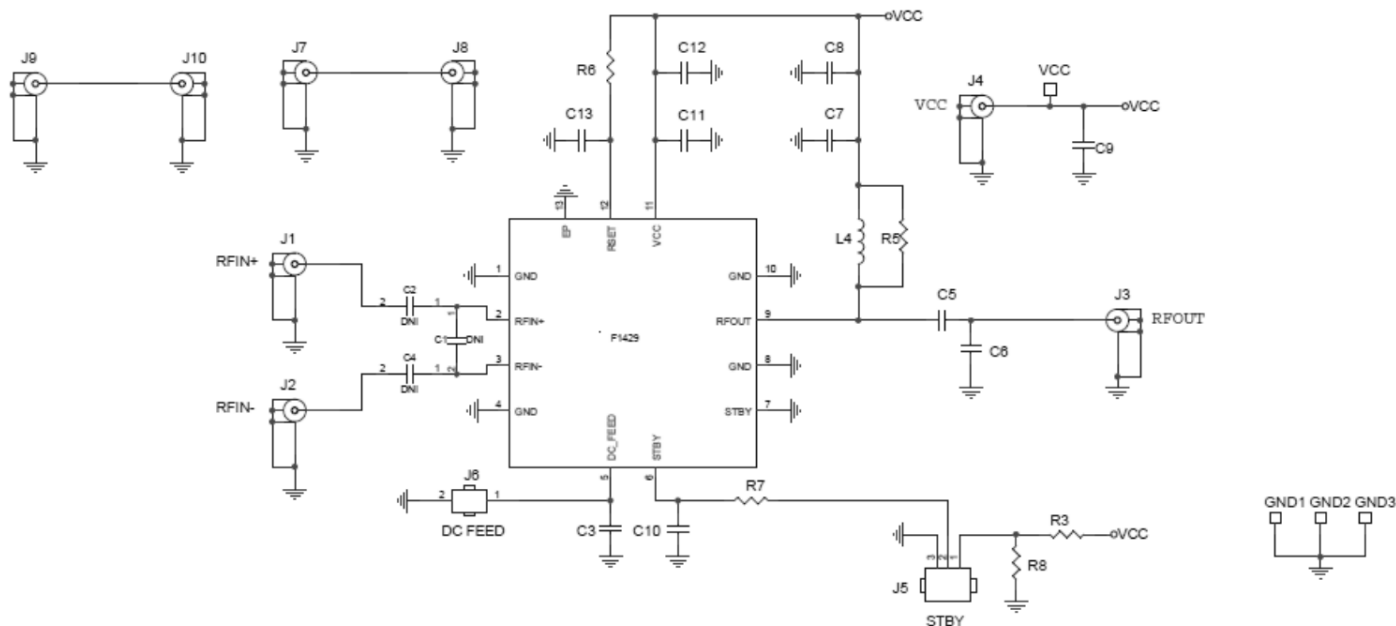


Table 7. Evaluation Kit Bill of Material (BOM)

Part Reference	QTY	Description	Manufacturer Part #	Manufacturer
R7,R3	2	0 ohm Jumper 1/10W (0402)	ERJ2GE0R00X	Panasonic
C8	1	1000pF COG 50v (0402)	GRM1555C1H102J	Murata
C11	1	Do not Install		
C7	1	100pF COG 50v (0402)	GRM1555C1H101J	Murata
C2, C4	2	15pF COG 50v (0402)	GJM1555C1H150J	Murata
C10	1	Do not Install		
L4	1	3.6nH +/-0.3 (0402)	LQG15HS3N6S02	Murata
C5	1	2.5pF COG 50V (0402)	GRM1555C1H2R5B	Murata
J5	1	CONN HEADER VERT 1x3 POS 2.54MM	61300311121	Würth Elektronik
J1,J2, J3, J4, J7, J8, J9,J10	6	SMA Edge Mount	142-0701-851	Cinch Connectivity
C1,C12, C3, C6, C9, R2, R5, R6, R8, J6	0	Do not Install		
U1	1	F1429LB 100Ω DIFF-In -- 50Ω SE-Out Amplifier	F1429LBNELI	IDT Renesas

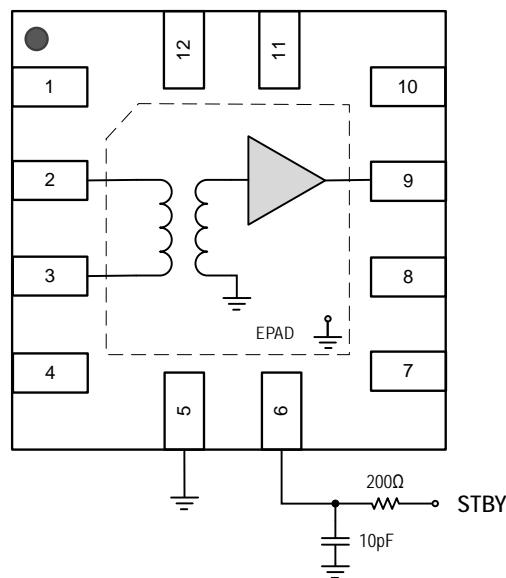
Application Information

Power Supplies

A common VCC power supply should be used for all pins requiring DC power. All supply pins should be bypassed with external capacitors to minimize noise and fast transients. Supply noise can degrade noise figure and fast transients can trigger ESD clamps and cause them to fail. Supply voltage change or transients should have a slew rate smaller than $1V/20\mu S$. In addition, all control pins should remain at 0V ($\pm 0.3V$) while the supply voltage ramps or while it returns to zero.

If control signal integrity is a concern and clean signals cannot be guaranteed due to overshoot, undershoot, ringing, etc., the following circuit at the input of the STBY control pin is recommended. This applies to the STBY pin as shown below. Note the recommended resistor and capacitor values do not necessarily match the EVKit BOM for the case of poor control signal integrity. For multiple devices driven by a single control line, the component values will need to be adjusted accordingly so as not to load down the control line.

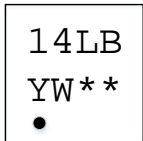
Figure 26. Control Pin Interface for Signal Integrity



Package Outline Drawings

The [package outline drawings](#) are located at the end of this document and are accessible from the Renesas website. The package information is the most current data available and is subject to change without revision of this document.

Marking Diagram



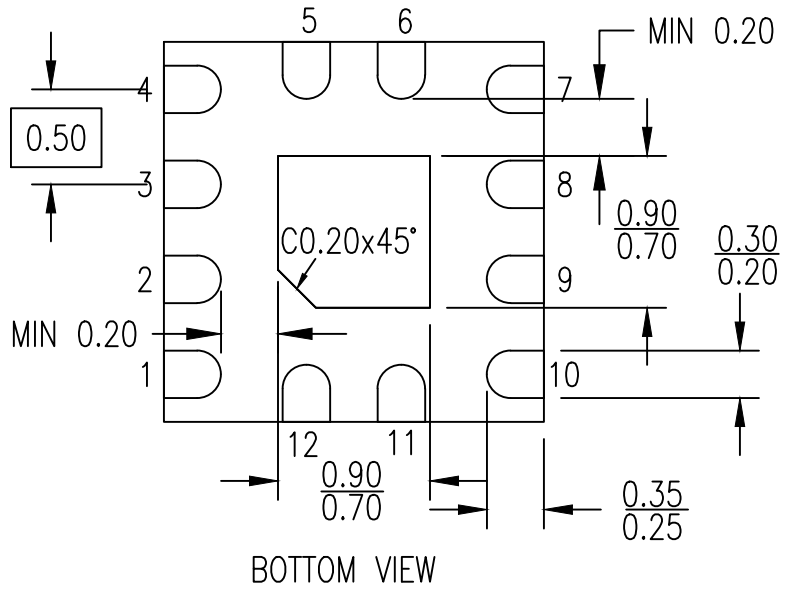
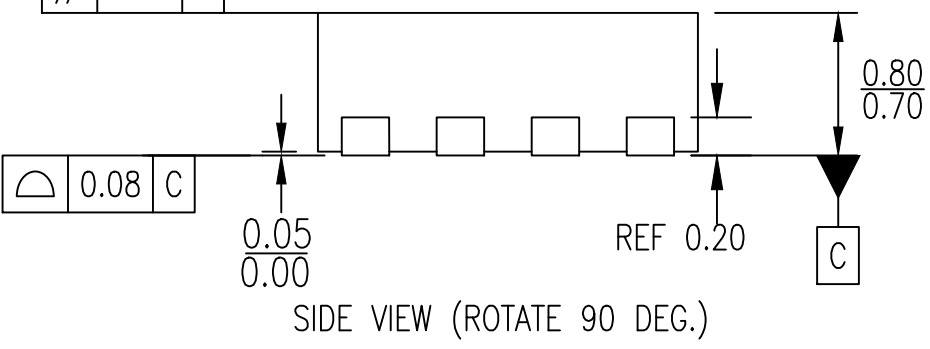
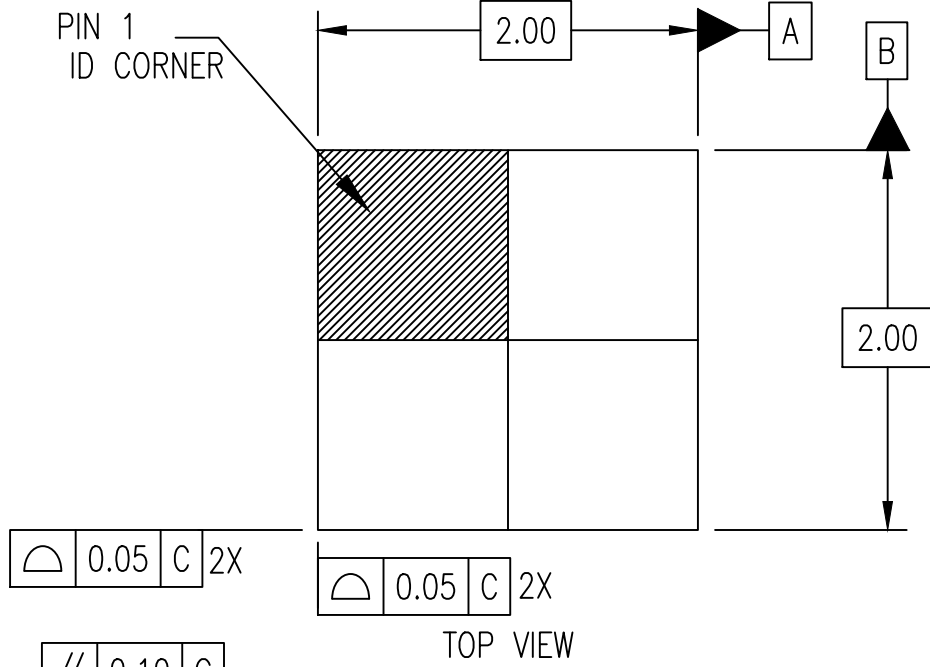
- Line 1: 14LB = Abbreviated part number (F1429LB).
- Line 2: Y = Year code, last digit of production year ("8" would correspond to 2018).
- W = Work week code ("W" corresponds to week 30).
- ** = Sequential alpha characters for lot traceability.

Ordering Information

Orderable Part Number	Package	MSL Rating	Carrier Type	Temperature
F1429LBNELI	2 × 2 × 0.75 mm 12-DFN	1	Cut Reel	-40° to +115°C
F1429LBNELI8	2 × 2 × 0.75 mm 12-DFN	1	Reel	-40° to +115°C
F1429LBEVB	Evaluation Board			

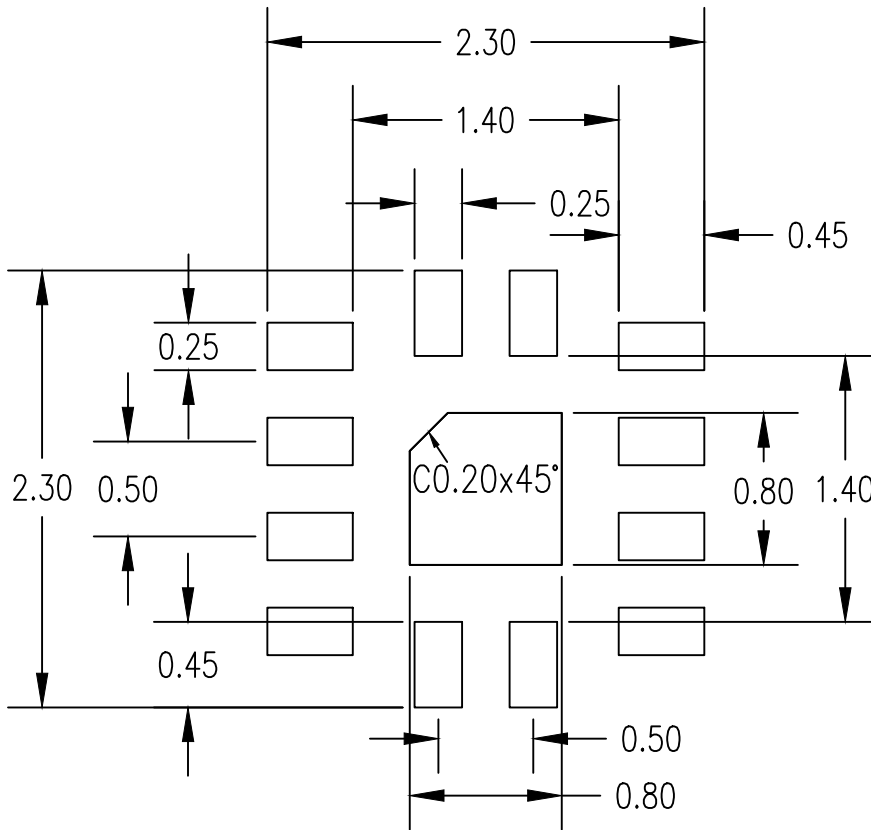
Revision History

Revision Date	Description of Change
January 31, 2021	<ul style="list-style-type: none"> ▪ Updated the Package Outline Drawings website link ▪ Updated the Carrier Type information in Ordering Information
May 21, 2020	<ul style="list-style-type: none"> ▪ Updated base part number table in Description. ▪ Updated Evaluation Kit Electrical Schematic.
April 29, 2020	Corrected typo in RF_OUT pin description (see Table 1).
January 27, 2020	Updated the EVB pictures in Figure 23 and Figure 24.
November 24, 2019	Updated the electrostatic discharge ratings in Table 2.
November 10, 2019	Initial release.



NOTE:

1. DIMENSIONING AND TOLERANCING CONFORM TO ASMEY14.5-2009.
2. ALL DIMENSIONS ARE IN MILLIMETERS.



RECOMMENDED LAND PATTERN DIMENSION

NOTES:

1. ALL DIMENSIONS ARE IN MM. ANGLES IN DEGREES.
2. TOP DOWN VIEW. AS VIEWED ON PCB.
3. LAND PATTERN RECOMMENDATION PER IPC-7351B GENERIC REQUIREMENT FOR SURFACE MOUNT DESIGN AND LAND PATTERN.

Package Revision History		
Date Created	Rev No.	Description
Sept 5, 2018	Rev 01	Add "K" Value Minimum 0.20 mm, Correct L/F Thickness
July 31, 2017	Rev 00	Initial Release

IMPORTANT NOTICE AND DISCLAIMER

RENESAS ELECTRONICS CORPORATION AND ITS SUBSIDIARIES (“RENESAS”) PROVIDES TECHNICAL SPECIFICATIONS AND RELIABILITY DATA (INCLUDING DATASHEETS), DESIGN RESOURCES (INCLUDING REFERENCE DESIGNS), APPLICATION OR OTHER DESIGN ADVICE, WEB TOOLS, SAFETY INFORMATION, AND OTHER RESOURCES “AS IS” AND WITH ALL FAULTS, AND DISCLAIMS ALL WARRANTIES, EXPRESS OR IMPLIED, INCLUDING, WITHOUT LIMITATION, ANY IMPLIED WARRANTIES OF MERCHANTABILITY, FITNESS FOR A PARTICULAR PURPOSE, OR NON-INFRINGEMENT OF THIRD-PARTY INTELLECTUAL PROPERTY RIGHTS.

These resources are intended for developers who are designing with Renesas products. You are solely responsible for (1) selecting the appropriate products for your application, (2) designing, validating, and testing your application, and (3) ensuring your application meets applicable standards, and any other safety, security, or other requirements. These resources are subject to change without notice. Renesas grants you permission to use these resources only to develop an application that uses Renesas products. Other reproduction or use of these resources is strictly prohibited. No license is granted to any other Renesas intellectual property or to any third-party intellectual property. Renesas disclaims responsibility for, and you will fully indemnify Renesas and its representatives against, any claims, damages, costs, losses, or liabilities arising from your use of these resources. Renesas' products are provided only subject to Renesas' Terms and Conditions of Sale or other applicable terms agreed to in writing. No use of any Renesas resources expands or otherwise alters any applicable warranties or warranty disclaimers for these products.

(Disclaimer Rev.1.01 Jan 2024)

Corporate Headquarters

TOYOSU FORESIA, 3-2-24 Toyosu,
Koto-ku, Tokyo 135-0061, Japan
www.renesas.com

Trademarks

Renesas and the Renesas logo are trademarks of Renesas Electronics Corporation. All trademarks and registered trademarks are the property of their respective owners.

Contact Information

For further information on a product, technology, the most up-to-date version of a document, or your nearest sales office, please visit www.renesas.com/contact-us/.