

RFPC-SMA30-F : RP SMA Right Angle Bulkhead Jack, PCB Connector, 6GHz

Material and Plating:

Insulator: PTFE

Pin: Brass, Gold

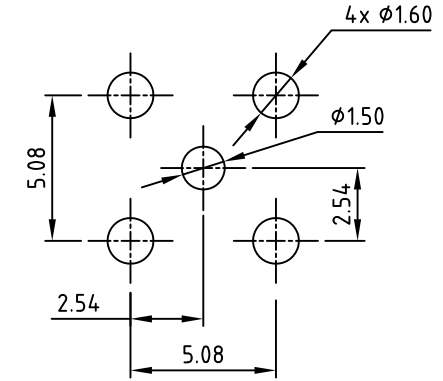
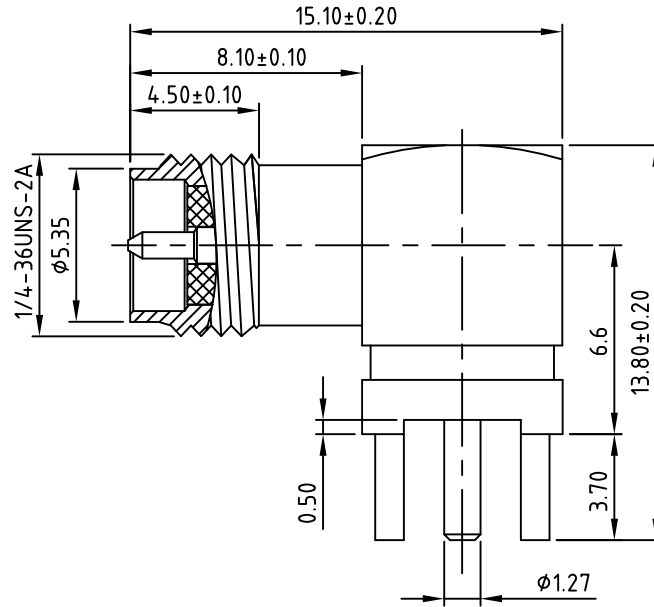
Body: Brass, Gold

Specification:

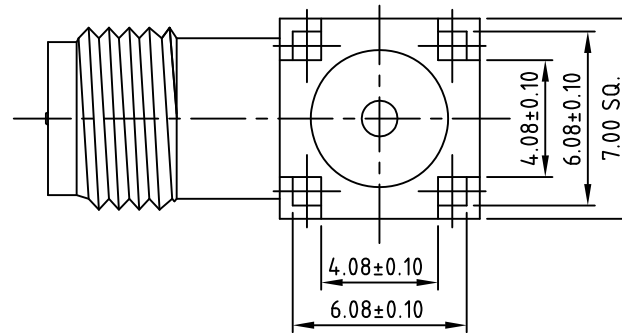
Operating Temperature: -55°C~+125°C

Working Frequency Range: DC~6GHz

Impedance: 50 Ohm.



Recommended PCB Layout
Tolerance:±0.05



REV. DATE & DRN
TO 24/10/23 - CC RELEASE

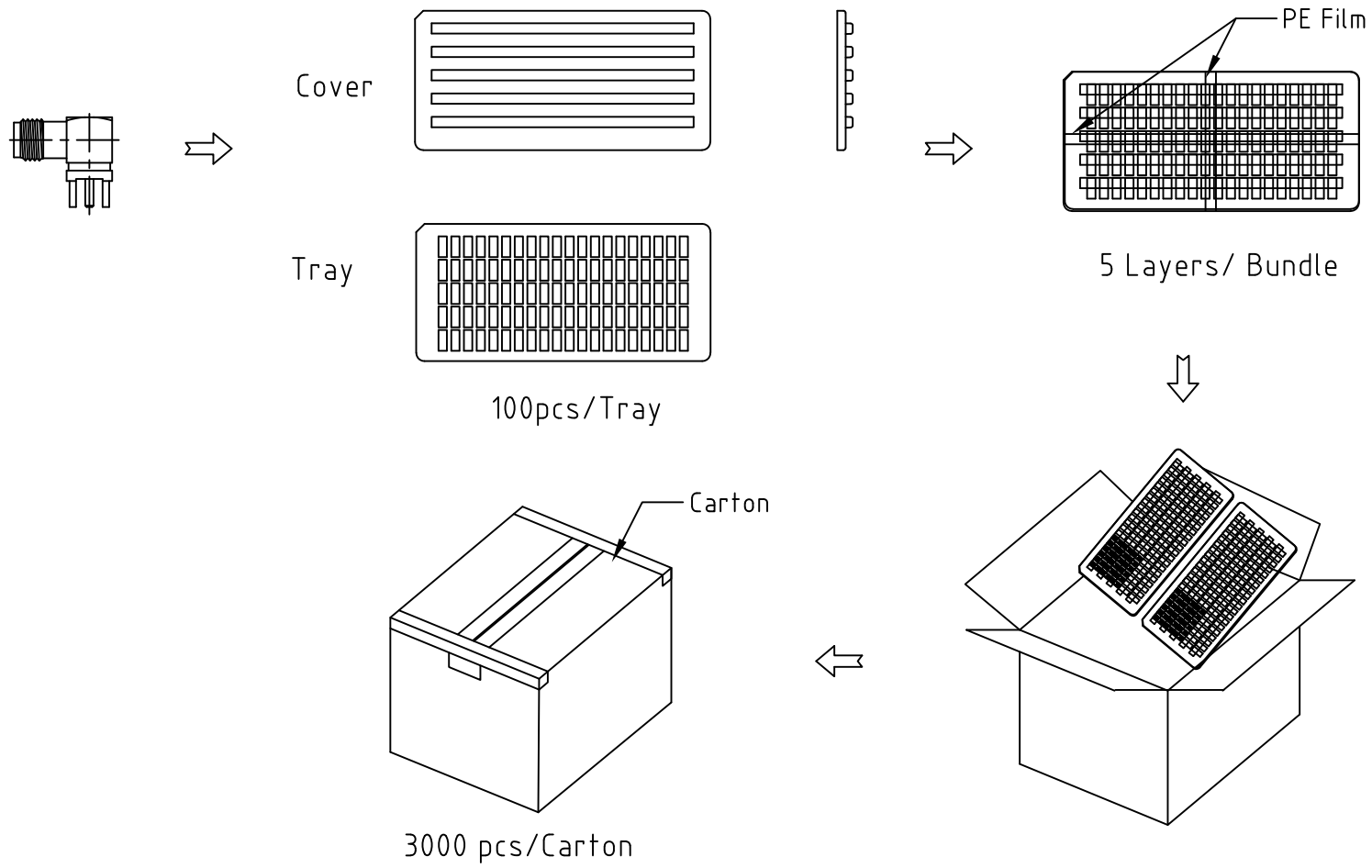
Scale: NTS	THIRD ANGLE	Unstated Tolerances: .X ±0.2 .XX ±0.1 .XXX ±0.05 ANGLES ±3°	Material SEE NOTE
Drawn: CC			
App'd: XXX	Title RP SMA PCB Connector		NOT TO SCALE
Date: 24 OCT. '23	Revision: 1.0		Unit: mm

www.gradconn.com

THIS DRAWING IS CONFIDENTIAL AND MUST NOT BE COPIED OR DISCLOSED WITHOUT WRITTEN CONSENT

Type: RFPC-SMA30-F
RFPC-SMA30-F
Drawing Number:
Sheet 1 of 2
Drawing © E and O E

RFPC-SMA30-F : RP SMA Right Angle Bulkhead Jack, PCB Connector, 6GHz



pcs / Tray	Trays / Carton	pcs / Carton
100	30	3000

REV. DATE & DRN
TO 24/10/23 - CC RELEASE

Scale: NTS	THIRD ANGLE	Unstated Tolerances: .X ±0.2 .XX ±0.1 .XXX ±0.05 ANGLES ±3°	Material SEE NOTE
Drawn: CC		Title RP SMA PCB Connector	NOT TO SCALE
App'd: XXX	Date: 24 OCT. '23	Revision: 1.0	Unit: mm



THIS DRAWING IS CONFIDENTIAL AND MUST NOT BE COPIED OR DISCLOSED WITHOUT WRITTEN CONSENT

Type: RFPC-SMA30-F
RFPC-SMA30-F
Drawing Number:
Sheet 2 of 2
Drawing © E and O E