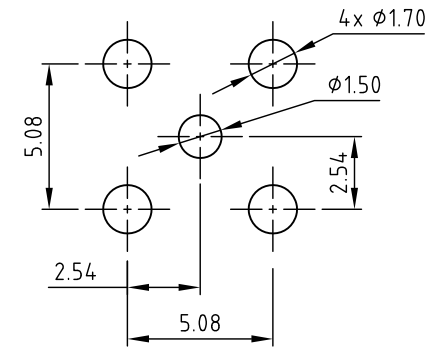
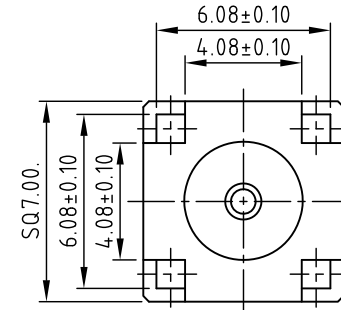
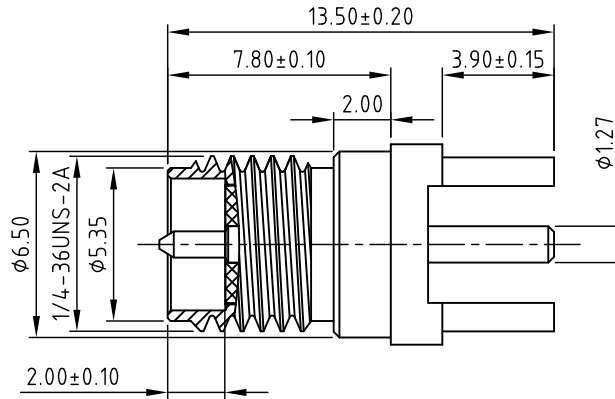


RFPC-SMA29-F : RP SMA Vertical Bulkhead Jack, PCB Connector, 6GHz

Material and Plating:
 Insulator: PTFE, WHITE
 Pin: Brass, Gold
 Body: Brass, Gold

Specification:
 Operating Temperature: -55°C~+125°C
 Working Frequency Range: DC~6GHz
 Impedance: 50 Ohm.



Recommended PCB Layout
 Tolerance:±0.05

REV. DATE & DRN
 TO 29/10/23 - CC RELEASE

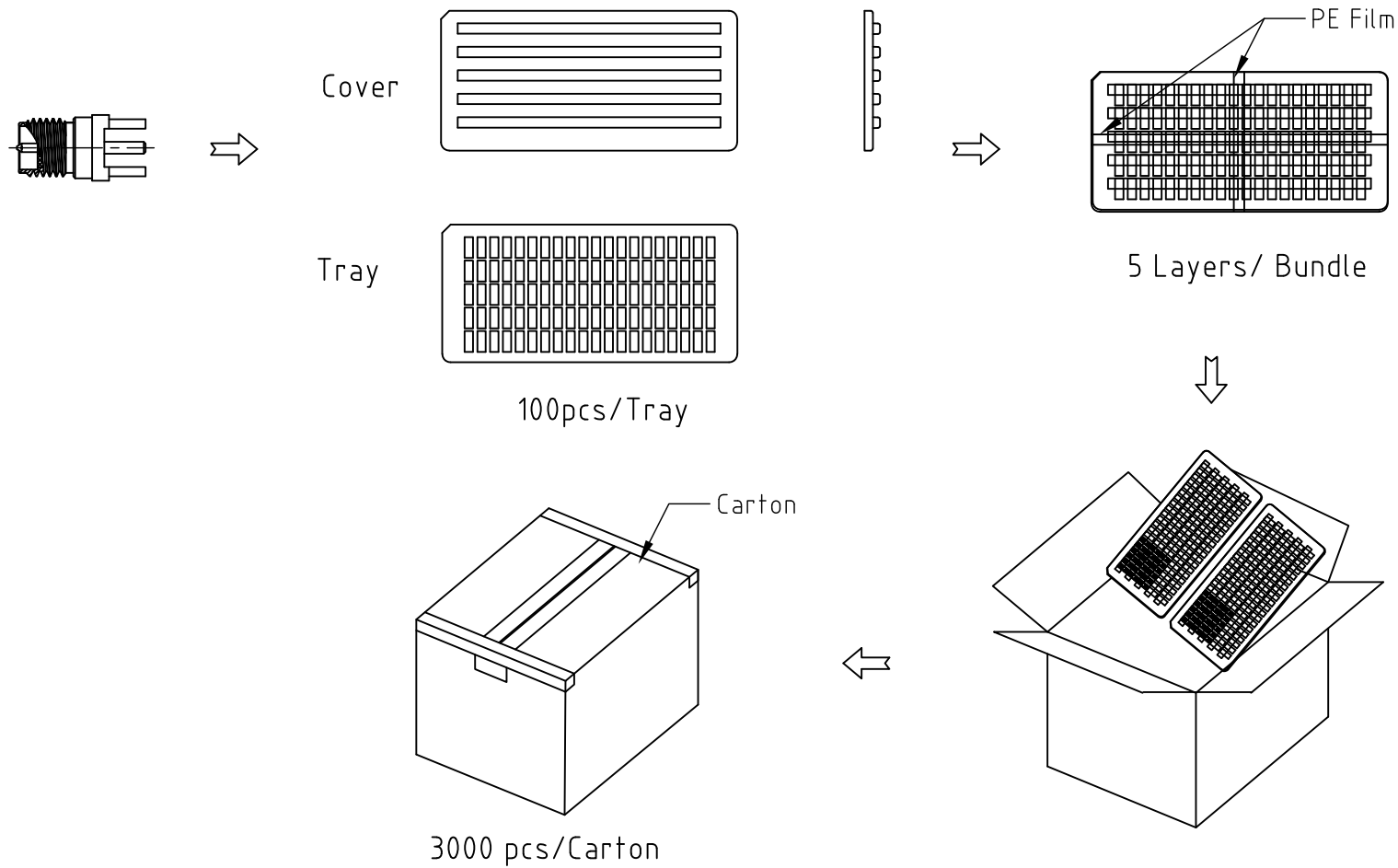
Scale: NTS	THIRD ANGLE	Unstated Tolerances: .X ±0.2 .XX ±0.1 .XXX ±0.05 ANGLES ±3°	Material SEE NOTE
Drawn: CC			
App'd: XXX	Title RP SMA PCB Connector		NOT TO SCALE
Date: 29 OCT. '23	Revision: 1.0		Unit: mm



THIS DRAWING IS CONFIDENTIAL AND MUST NOT BE COPIED OR DISCLOSED WITHOUT WRITTEN CONSENT

Type: RFPC-SMA29-F
RFPC-SMA29-F
Drawing Number:
Sheet 1 of 2
Drawing © E and O E

RFPC-SMA29-F : RP SMA Vertical Bulkhead Jack, PCB Connector, 6GHz



pcs / Tray	Trays / Carton	pcs/Carton
100	30	3000

REV. DATE & DRN
TO: 29/10/23 - CC RELEASE

Scale: NTS	THIRD ANGLE	Unstated Tolerances: .X ±0.2 .XX ±0.1 .XXX ±0.05 ANGLES ±3°	Material SEE NOTE
Drawn: CC			
App'd: XXX	Title RP SMA PCB Connector		NOT TO SCALE
Date: 29 OCT. '23	Revision: 1.0		Unit: mm



THIS DRAWING IS CONFIDENTIAL AND MUST NOT BE COPIED OR DISCLOSED WITHOUT WRITTEN CONSENT

Type: RFPC-SMA29-F
RFPC-SMA29-F
Drawing Number:
Sheet 2 of 2
Drawing © E and O E