

RFPC-SMA28-F : SMA Vertical Bulkhead Jack, PCB Connector, 6GHz

Material and Plating:

Insulator: PTFE

Pin: Brass, Gold

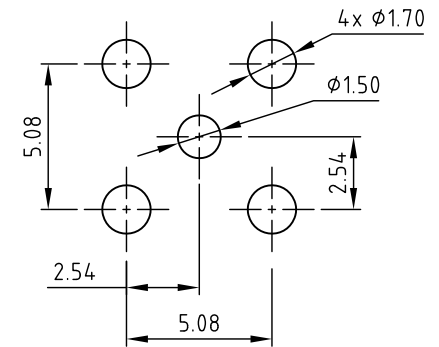
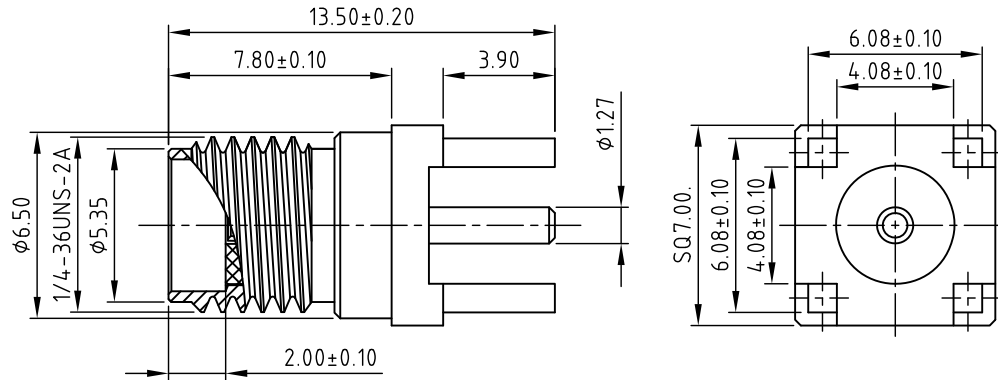
Body: Brass, Gold

Specification:

Operating Temperature: -55°C~+125°C


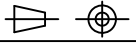
Working Frequency Range: DC~6GHz

Impedance: 50 Ohm.

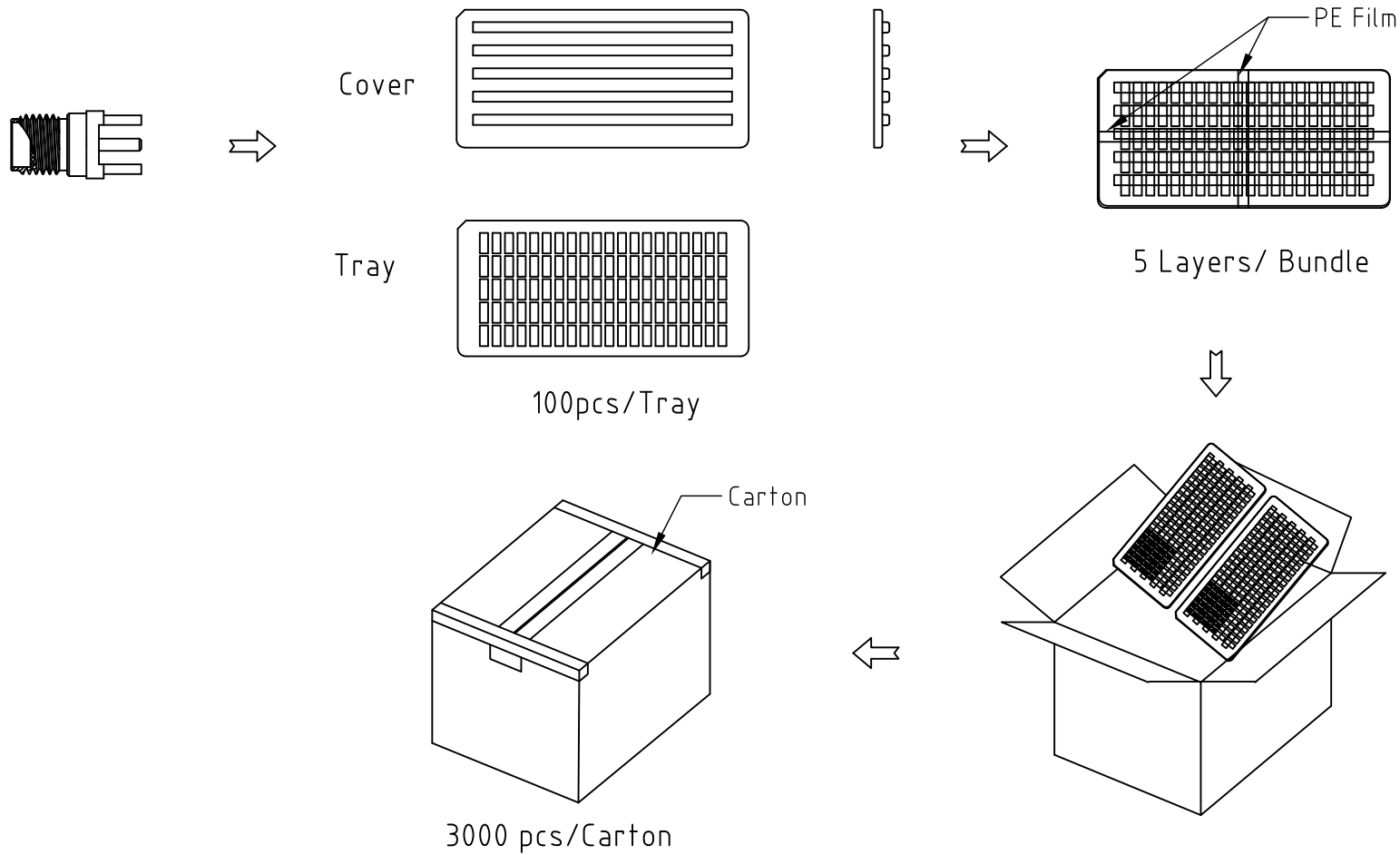


Recommended PCB Layout
Tolerance: ± 0.05

REV. DATE & DRN
TO 29/10/23 - CC RELEASE

Scale: NTS	THIRD ANGLE	Unstated Tolerances: .X ± 0.2 .XX ± 0.1 .XXX ± 0.05 ANGLES $\pm 3^\circ$	Material SEE NOTE	 www.gradconn.com	Type: RFPC-SMA28-F
Drawn: CC					RFPC-SMA28-F
App'd: XXX	Title RP SMA PCB Connector		NOT TO SCALE		Drawing Number:
Date: 29 OCT. '23	Revision: 1.0		Unit: mm		Sheet 1 of 2
<p>© THIS DRAWING IS CONFIDENTIAL AND MUST NOT BE COPIED OR DISCLOSED WITHOUT WRITTEN CONSENT</p>					Drawing © E and O E

RFPC-SMA28-F : SMA Vertical Bulkhead Jack, PCB Connector, 6GHz



pcs / Tray	Trays / Carton	pcs/Carton
100	30	3000

REV. DATE & DRN
TO: 29/10/23 - CC RELEASE

Scale: NTS	THIRD ANGLE	Unstated Tolerances: .X ±0.2 .XX ±0.1 .XXX ±0.05 ANGLES ±3°	Material SEE NOTE	 www.gradconn.com	Type: RFPC-SMA28-F
Drawn: CC		Title RP SMA PCB Connector	NOT TO SCALE		RFPC-SMA28-F
App'd: XXX	Date: 29 OCT. '23	Revision: 1.0	Unit: mm	Drawing Number: Sheet 2 of 2	Drawing © E and O E
© THIS DRAWING IS CONFIDENTIAL AND MUST NOT BE COPIED OR DISCLOSED WITHOUT WRITTEN CONSENT					