



## **IQS620AEV02 Overview**

Combination sensor with dual channel capacitive proximity/touch, Hall-effect sensor and inductive sensing

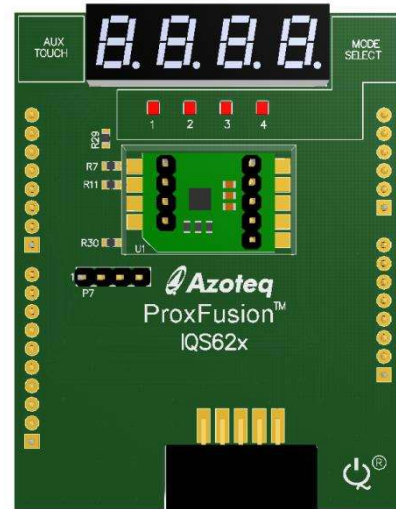
The IQS620A ProxFusion® IC is a multifunctional capacitance, Hall-effect & inductance sensor designed for applications where any or all of the technologies may be required. The IQS620A is an ultra-low power solution designed for short or long term activations through any of the sensing channels. The IQS620A is fully I<sup>2</sup>C compatible and can be configured to output main trigger events on GPIOs.

### **EV-Kit Overview**

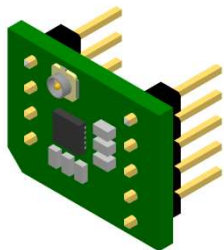
- Inductive sensing
- Hall-effect sensing
- Capacitive sensing

### **Evaluation Modes**

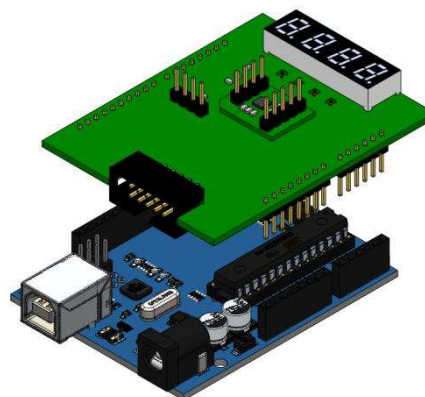
- Connect to PC GUI via CT210A USB Dongle<sup>1</sup>
- When connected to CT210A use 3.3V (default) only<sup>2</sup>
  - Raw info displayed in GUI
- Please ensure Shield Board<sup>3</sup> is unplugged from Arduino Uno / ST Nucleo when connected to CT210A
- Plug into Arduino Uno<sup>1</sup> or ST Nucleo<sup>1</sup>
  - Sensor info displayed on 7-segment
  - Open source code for custom development
- Embed the small module PCB (stamp) into custom design & interface to host MCU  
(Additional modules sold separately as IQS620AEV01)



**IQS620AEV02 Shield Board**



**Detachable Stamp Module**



**IQS620A Shield + Arduino Uno<sup>1</sup>**

### **Applications**

- Mobile electronics (phones/tablets)
- SAR safety requirements for laptops, tablets and phones
- Wearable devices, on ear detection
- White goods and appliances
- Human Interface Devices
- Proximity activated backlighting
- Applications with long-term activation
- Aftermarket automotive<sup>4</sup>

<sup>1</sup> Sold separately

<sup>2</sup> 1.8V not supported on Shield Board due to diode protection

<sup>3</sup> Shield Board does not support programming

<sup>4</sup> The part is not automotive qualified