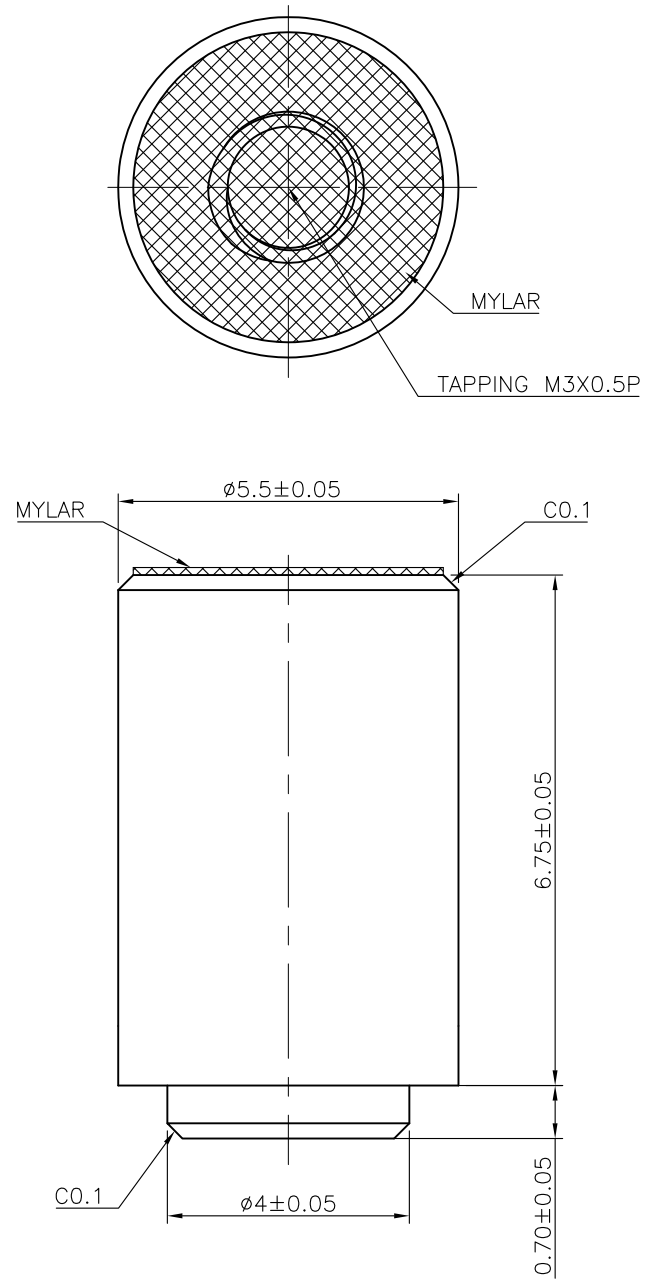
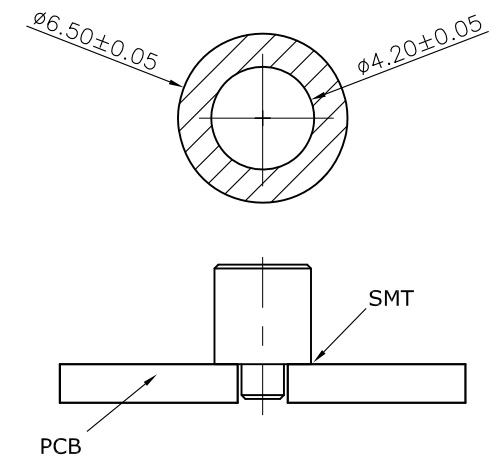



REV.	DESCRIPTION	DRAWN	DATE
1	INITIAL RELEASE	FROS	2016/12/28



NOTE:
 1.MATERIAL: Copper Alloy
 2.Plating: Sn.
 3.Tape & Reel Packing, 500pcs/ reel



PCB Recommend Layout Pattern

UNLESS OTHERWISE SPECIFIED TOLERANCE							
UNIT:	DECIMAL	LINEAR	ANGLES			WWW.ATTEND.COM.TW	
mm	X.	±0.50	±5°	DRAWN NAME: M.2 Connector Stand Off for 8.5H			
	X,X	±0.25	±3°				
	X,XX	±0.12	±1°				
DRAWN	Fros	2016/12/28	DRAWN NAME:				
CHECKED	Tim	2016/12/28	PRODUCT NO. 123A-NUT-85				
APPROVED	Ken	2016/12/28	SCALE	SHEET	SIZE	FILE NAME	123A-NUT-85_B_1
	10/1	1/1	A4				