

NOTES:

1. Ⓢ REPRESENTS A CRITICAL DIMENSION.
2. VERIFY -S PLATING, VISUALLY CHECK -F ONLY.
3. ALL PARTS ARE ROHS COMPLIANT WITH OR WITHOUT -R.
4. PARTS TO BE PACKAGED IN TRAYS

USB-AM-S-X-X-TH-X

TYPE
-AM

CONFIGURATION
-S: SINGLE

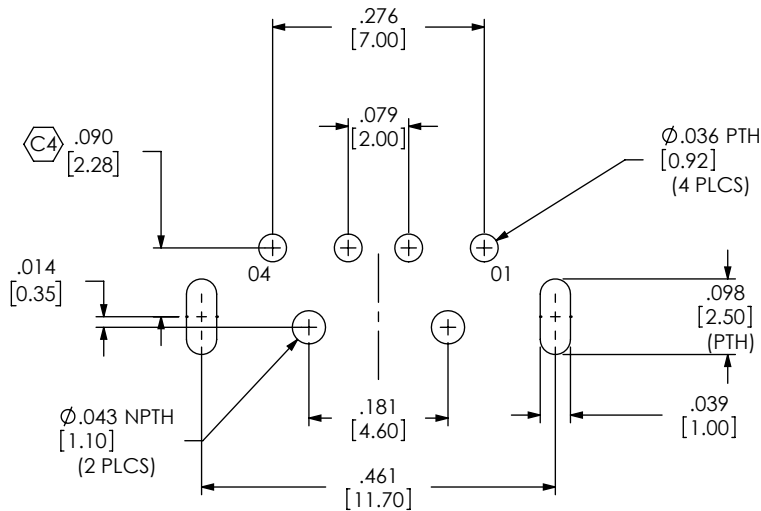
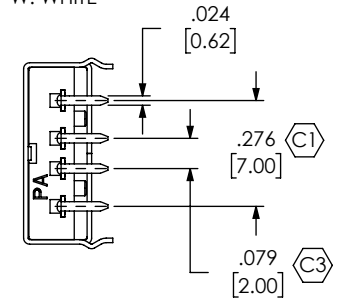
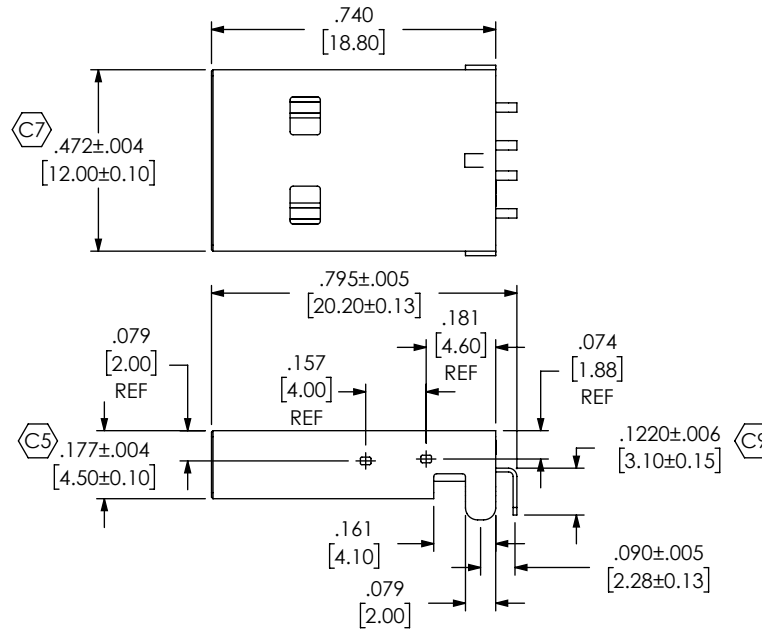
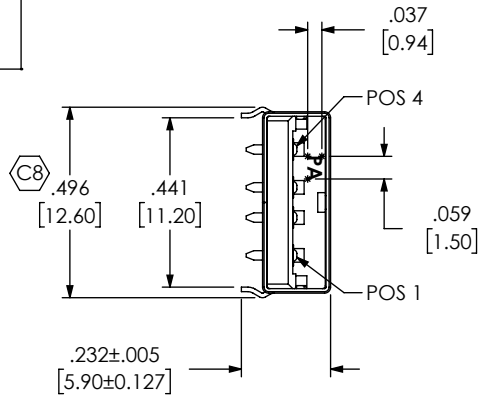
E/OPTION
-R: RoHS COMPLIANT - LEAD FREE

RA TERMINATION
-TH: THROUGH HOLE

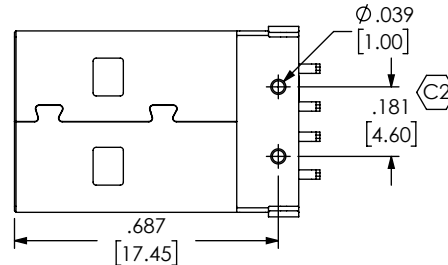
COLOR
-B: BLACK
-W: WHITE

PLATING
-F: GOLD FLASH ON MATING AREA,
BRIGHT ACID TIN ON TAILS (100U" MIN)
W/ NICKEL UNDERPLATE (SEE NOTE 3 FOR -RC)
-S: .000030" GOLD ON MATING AREA,
BRIGHT ACID TIN ON TAILS (100U" MIN)
W/ NICKEL UNDERPLATE (SEE NOTE 3 FOR -RC)

DO NOT
SCALE FROM
THIS PRINT



RECOMMENDED PCB LAYOUT



UNLESS OTHERWISE SPECIFIED,
DIMENSIONS ARE IN INCHES.
TOLERANCES ARE:
DECIMALS ANGLES
.X: ±.01 [0.30]
.XX: ±.008 [0.20]
.XXX: ±.005 [0.13]

PROPRIETARY NOTE
THIS DOCUMENT CONTAINS CONFIDENTIAL AND
PROPRIETARY INFORMATION AND ALL DESIGN,
MANUFACTURING, REPRODUCTION, USE, PATENT RIGHTS
AND SALES RIGHTS ARE EXPRESSLY RESERVED BY SAMTEC,
INC. THIS DOCUMENT SHALL NOT BE DISCLOSED, IN WHOLE
OR PART, TO ANY UNAUTHORIZED PERSON OR ENTITY NOR
REPRODUCED, TRANSFERRED OR INCORPORATED IN ANY
OTHER PRODUCT IN ANY MANNER WITHOUT THE EXPRESS
WRITTEN CONSENT OF SAMTEC, INC.



520 PARK EAST BLVD, NEW ALBANY, IN 47150
PHONE: 812-944-6733 FAX: 812-948-5047
e-Mail: info@SAMTEC.com code: 55322

MATERIAL: DO NOT SCALE DRAWING SHEET SCALE: 2:1
INSULATOR: PA 9T
CONTACT OR TERMINAL: PHOS BRONZE
BACK SHIELD: NICKEL PLATED PHOS BRONZE
FRONT SHIELD: TIN PLATED PHOS BRONZE
MAX FLASH ALLOWED: .051
MAX GATE VESTIGE: .051
FLDWMG\MISC\MKTG\USB-AM-S-X-X-TH-X-MKT.3LDDRW

DESCRIPTION:
USB RIGHT ANGLE, 4 PIN, TYPE A, SINGLE-FOOT 1MM
DWG. NO. **USB-AM-S-X-X-TH-X**
BY: LENNY K 10/19/06 SHEET 1 OF 1