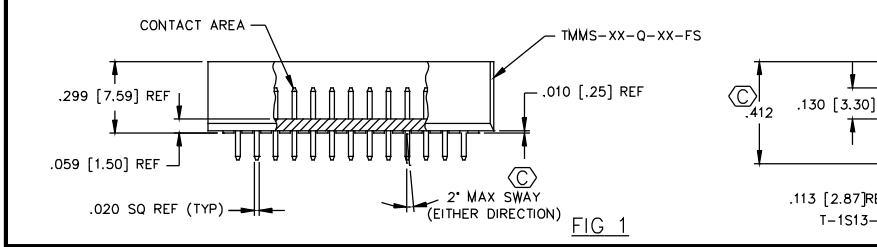
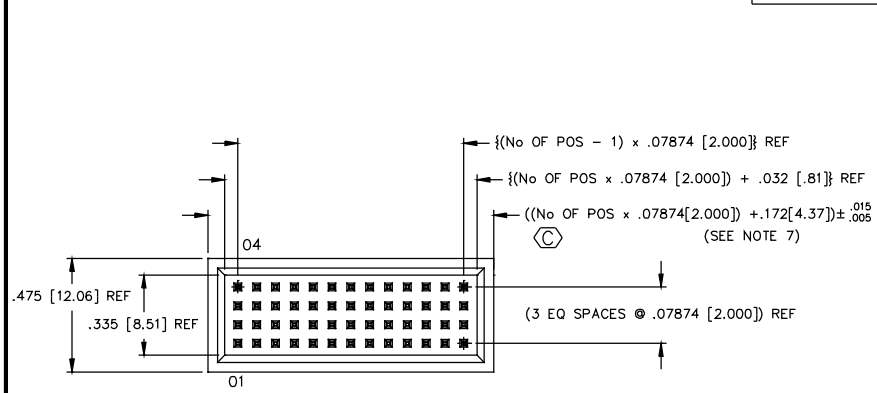


DO NOT SCALE FROM THIS PRINT

UNLESS OTHERWISE NOTED TOLERANCES ARE:  
 DIMENSIONS ARE IN INCHES  
 ONE PLACE DECIMALS ±.1 THREE PLACE DECIMALS ± .005  
 TWO PLACE DECIMALS ±.01 FOUR PLACE DECIMALS ± .002

TITLE: 2mm QUAD ROW FULL SHROUD TERMINAL ASM

DWG NO: TMM5-1XX-XX-Q-XX-FS  
 SHEET 1 OF 2



TMM5-1XX-XX-Q-XX-FS

No. OF POSITIONS  
 -05 THRU -50

LEAD STYLE  
 -01: .130 [3.30] POST

PLATING  
 -G: 10µ" GOLD IN CONTACT AREA, 10µ" GOLD ON TAIL  
 -S: 30µ" SELECTIVE GOLD IN CONTACT AREA, MATTE TIN ON TAIL  
 -L: 10µ" SELECTIVE GOLD IN CONTACT AREA, MATTE TIN ON TAIL  
 -F: 3µ" SELECTIVE GOLD IN CONTACT AREA, MATTE TIN ON TAIL  
 -FM: 3µ" SELECTIVE GOLD IN CONTACT AREA, MATTE TIN ON TAIL  
 -LM: 10µ" SELECTIVE GOLD IN CONTACT AREA, MATTE TIN ON TAIL  
 -SM: 30µ" SELECTIVE GOLD IN CONTACT AREA, MATTE TIN ON TAIL

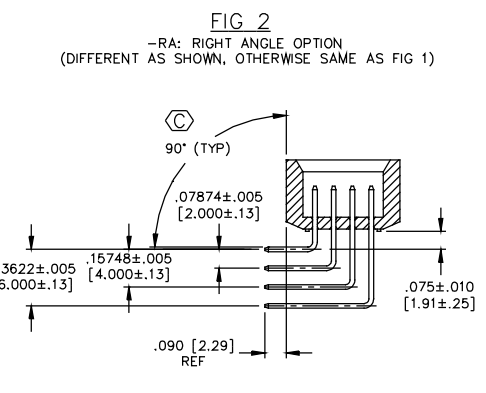
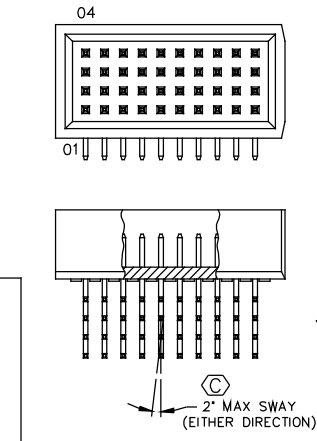
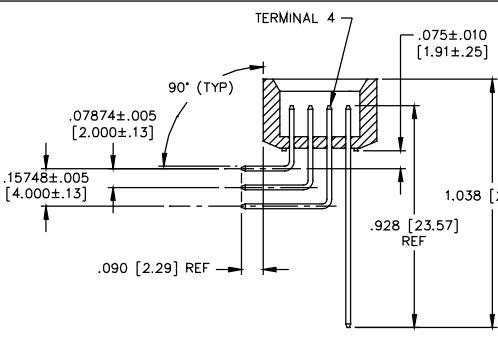
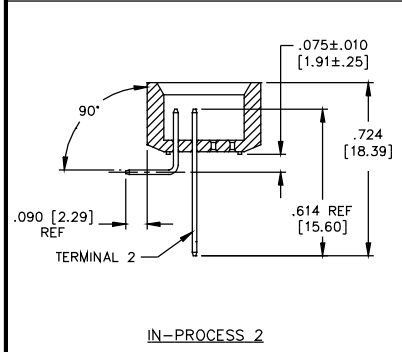
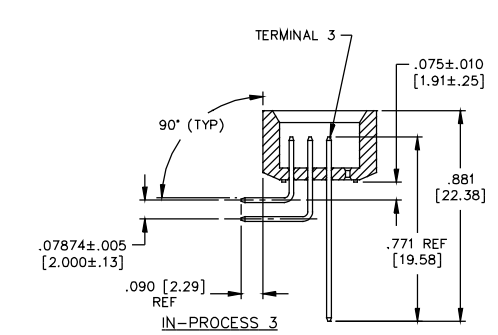
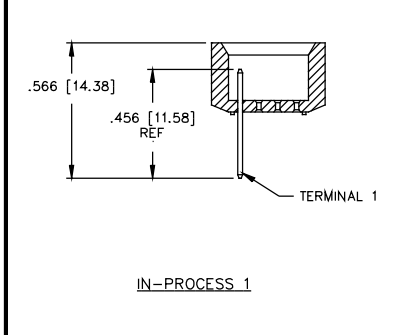
OPTIONS  
 -FS: FULL SHROUD (USE TMM5-XX-Q-XX-FS)

OPTION  
 -RA: RIGHT ANGLE (SEE FIG 2) (LEAVE BLANK FOR THRU HOLE VERSION)  
 \* -BL: MOLDED BOARD LOCKS (AVAILABLE WITH -RA ONLY) [USE TMM5-XX-Q-XX-BL-FS] (SEE FIG 3, SHT 2)  
 \* -A: MOLDED ALIGNMENT PIN (AVAILABLE WITH -RA ONLY) [USE TMM5-XX-Q-XX-A-FS] (SEE FIG.4, SHT 2)

ROW SPECIFICATION  
 -Q: QUAD ROW (SEE FIG. 1) (USE TMM5-XX-Q-XX-FS)

- NOTES:
- 1.) MAX. ALLOWABLE BOW: .005 IN/IN AFTER ASSEMBLY.
  - 2.) MAX. PIN ROTATION IN BODY: 2°
  - 3.) PUSHOUT FORCE SHALL BE 1 lb MIN.
  - 4.) Ⓢ REPRESENTS A CRITICAL DIMENSION.
  - 5.) ALL DIMENSIONS IN BRACKETS [ ] TO BE MILLIMETERS.
  - 6.) ALL DIMENSIONS TO BE SYMMETRICAL ABOUT C.L. WITHIN A VARIANCE OF .002 [.051] UNLESS OTHERWISE NOTED.
  - 7.) .010 [.25] MAX CUT FLASH (BRUSH CLEAN AS NECESSARY).
  - 8.) ORDERS WILL BE PACKAGED ACCORDING TO THE SAMTEC PACKAGING EFFICIENCY STANDARDS (SPES) FOUND ON WWW.SAMTEC.COM.

TERMINAL 1	TERMINAL 2	TERMINAL 3	TERMINAL 4
T-1S13-13-XX-2	T-1S13-14-XX-2	T-1S13-23-XX-2	T-1S13-24-XX-2



**PROPRIETARY NOTE**  
 THIS DOCUMENT CONTAINS INFORMATION CONFIDENTIAL AND PROPRIETARY TO SAMTEC INC. AND SHALL NOT BE REPRODUCED OR TRANSFERRED TO OTHER DOCUMENTS OR DISCLOSED TO OTHERS OR USED FOR ANY PURPOSE OTHER THAN THAT FOR WHICH IT WAS OBTAINED WITHOUT THE EXPRESSED WRITTEN CONSENT OF SAMTEC INC.

MATERIAL:  
 INSULATOR:  
 LCP VECTRA E130, UL RATED 94V-0  
 COLOR: BLACK  
 TERMINAL:  
 SPRING TEMPER PHOS BRONZE

EXISPROD\ASSEMBLY\2MM TMM5OAM1  
**samtec**  
 520 PARK EAST BLVD. NEW ALBANY, INDIANA 47150  
 PHONE (812) 944-6733 P.O. BOX 1147  
 CODE 55322

MADE BY:  
 CHAD F 12/17/2002  
 TMM5-1XX-XX-Q-XX-FS  
 SHEET 1 OF 2