

Pb THIS PRODUCT MANUFACTURED WITH LEAD-FREE PROCESSING

DESIGNED & DIMENSIONED IN MILLIMETERS [INCHES]

DO NOT SCALE FROM THIS PRINT

TABLE 1		
ITEM	COMPONENT	-H
1	FERRULE	SMA-FER-001-F
2	PIN	SMA-PIN-001-H
3	SUB ASSEMBLY	SUB-SMA-P-C-F-ST-CA1

SMA-P-C-X-ST-CA1-X

GENDER
-P: PLUG

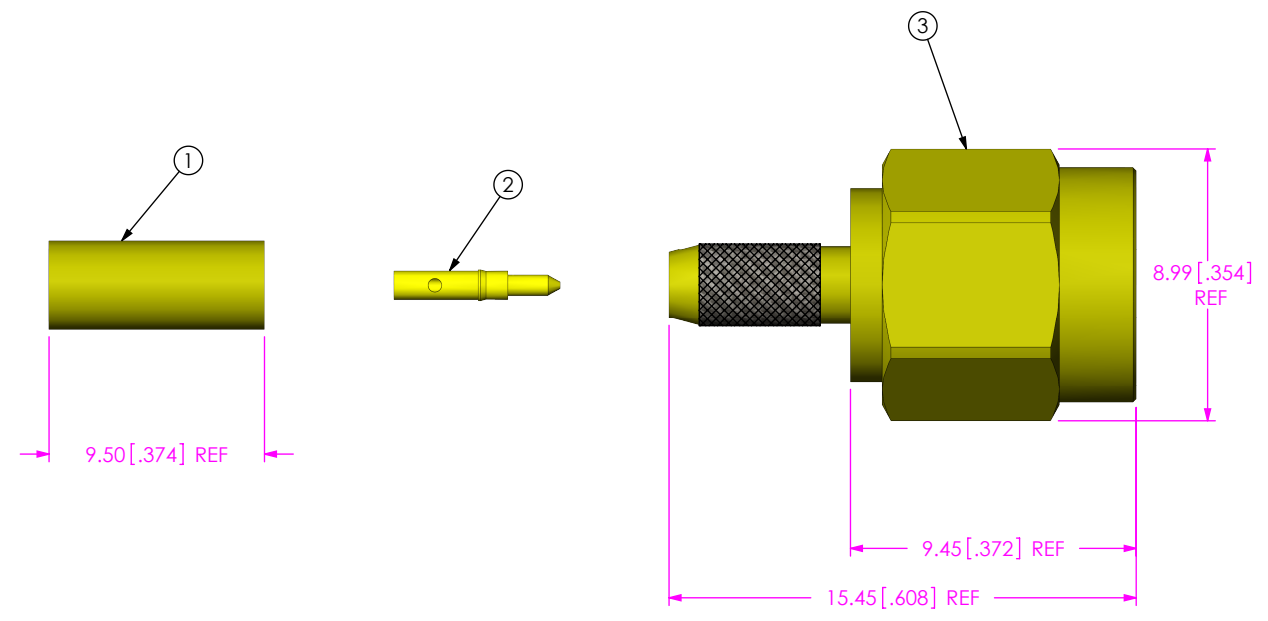
PACKAGING
-BLANK: INDIVIDUALLY BAGGED
-B: BULK PACKAGED (QTY=100 MAX)

TYPE
-C: CABLE

TERMINATION
-CA1: CABLE (RG174 OR RG316)


ORIENTATION
-ST: STRAIGHT

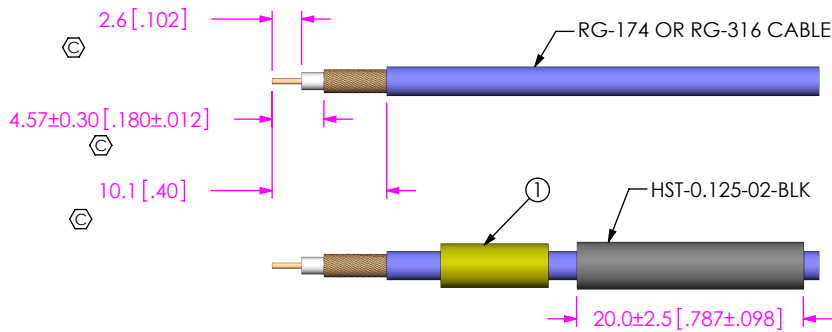
PLATING SPECIFICATION
-H: HEAVY GOLD
30µ" Au / 50µ" Ni MIN ON PIN
3µ" Au / 50µ" Ni MIN ON OUTER CONTACT (SEE TABLE 1)



- NOTES:
- ⊗ REPRESENTS A CRITICAL DIMENSION.
 - CENTER CONTACT PUSHOUT FORCE: 13.35 N [3 LB] MIN.
 - NOTE DELETED.
 - NOTE DELETED.
 - PRODUCT TO BE PACKAGED PER PRECISION RF SECTION OF PACKAGING MANUAL.
 - NOTE DELETED.
 - NOTE DELETED.
 - NOTE DELETED.

F:\DWG\MISC\MKTG\SMA-P-C-X-ST-CA1-X-MKT.SLDDRW

<p>UNLESS OTHERWISE SPECIFIED, DIMENSIONS ARE IN MILLIMETERS [INCHES].</p> <p>TOLERANCES ARE:</p> <p>DECIMALS ANGLES</p> <p>.X: ±0.3 [.01] 5°</p> <p>.XX: ±0.13 [.005]</p> <p>.XXX: ±0.051 [.0020]</p>	<p>PROPRIETARY NOTE</p> <p>THIS DOCUMENT CONTAINS CONFIDENTIAL AND PROPRIETARY INFORMATION AND ALL DESIGN, MANUFACTURING, REPRODUCTION, USE, PATENT RIGHTS AND SALES RIGHTS ARE EXPRESSLY RESERVED BY SAMTEC, INC. THIS DOCUMENT SHALL NOT BE DISCLOSED, IN WHOLE OR PART, TO ANY UNAUTHORIZED PERSON OR ENTITY NOR REPRODUCED, TRANSFERRED OR INCORPORATED IN ANY OTHER PROJECT IN ANY MANNER WITHOUT THE EXPRESS WRITTEN CONSENT OF SAMTEC, INC.</p>	 <p>520 PARK EAST BLVD, NEW ALBANY, IN 47150 PHONE: 812-944-6733 FAX: 812-948-5047 e-Mail: info@SAMTEC.com code: 55322</p>
<p>MATERIAL: DO NOT SCALE DRAWING SHEET SCALE: 3:1</p> <p>SHELL, FERRULE: BRASS CONTACT: BRASS DIELECTRIC: PTFE GASKET: SILICONE</p>		<p>DESCRIPTION: SMA STRAIGHT CABLE PLUG, RG174 & RG316- 50 OHM</p> <p>DWG. NO. SMA-P-C-X-ST-CA1-X</p> <p>BY: R MUSSER 01/22/2008 SHEET 1 OF 3</p>

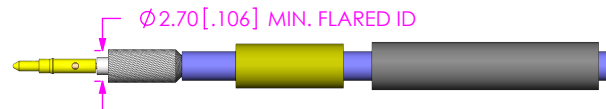


IN-PROCESS 1
STRIP AND TIN INNER CONDUCTOR

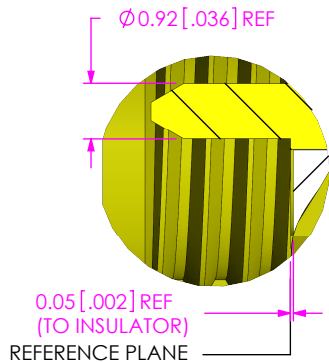
IN-PROCESS 2
ADD HEAT SHRINK TUBE AND FERRULE



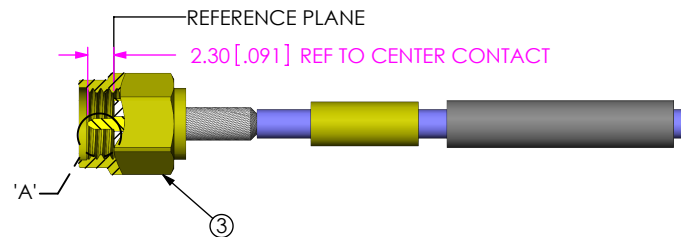
IN-PROCESS 3
SOLDER SIGNAL PIN



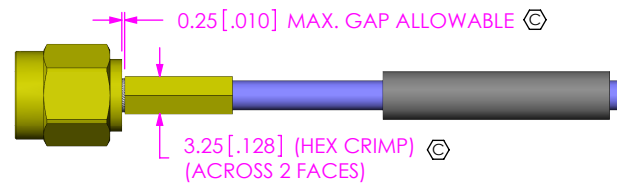
IN-PROCESS 4
FLARE SHIELD



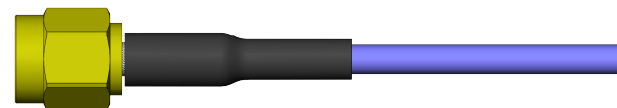
DETAIL 'A'
SCALE 8:1



IN-PROCESS 5
ADD SUB-SMA-P-C-X-ST-CA1



IN-PROCESS 6
CRIMP FERRULE
(USE RF CRIMP HAND TOOL # CAT-RF-FER-01 OR EQUIVALENT)
(USE .128 [HEX DIE])



IN-PROCESS 7
APPLY HEAT SHRINK TUBING

F:\DWG\MISC\MKTG\SMA-P-C-X-ST-CA1-X-MKT.SLDDRW

PROPRIETARY NOTE
THIS DOCUMENT CONTAINS CONFIDENTIAL AND PROPRIETARY INFORMATION AND ALL DESIGN, MANUFACTURING, REPRODUCTION, USE, PATENT RIGHTS AND SALES RIGHTS ARE EXPRESSLY RESERVED BY SAMTEC, INC. THIS DOCUMENT SHALL NOT BE DISCLOSED, IN WHOLE OR PART, TO ANY UNAUTHORIZED PERSON OR ENTITY NOR REPRODUCED, TRANSFERRED OR INCORPORATED IN ANY OTHER PROJECT IN ANY MANNER WITHOUT THE EXPRESS WRITTEN CONSENT OF SAMTEC, INC.

DO NOT SCALE DRAWING

SHEET SCALE: 1.5:1

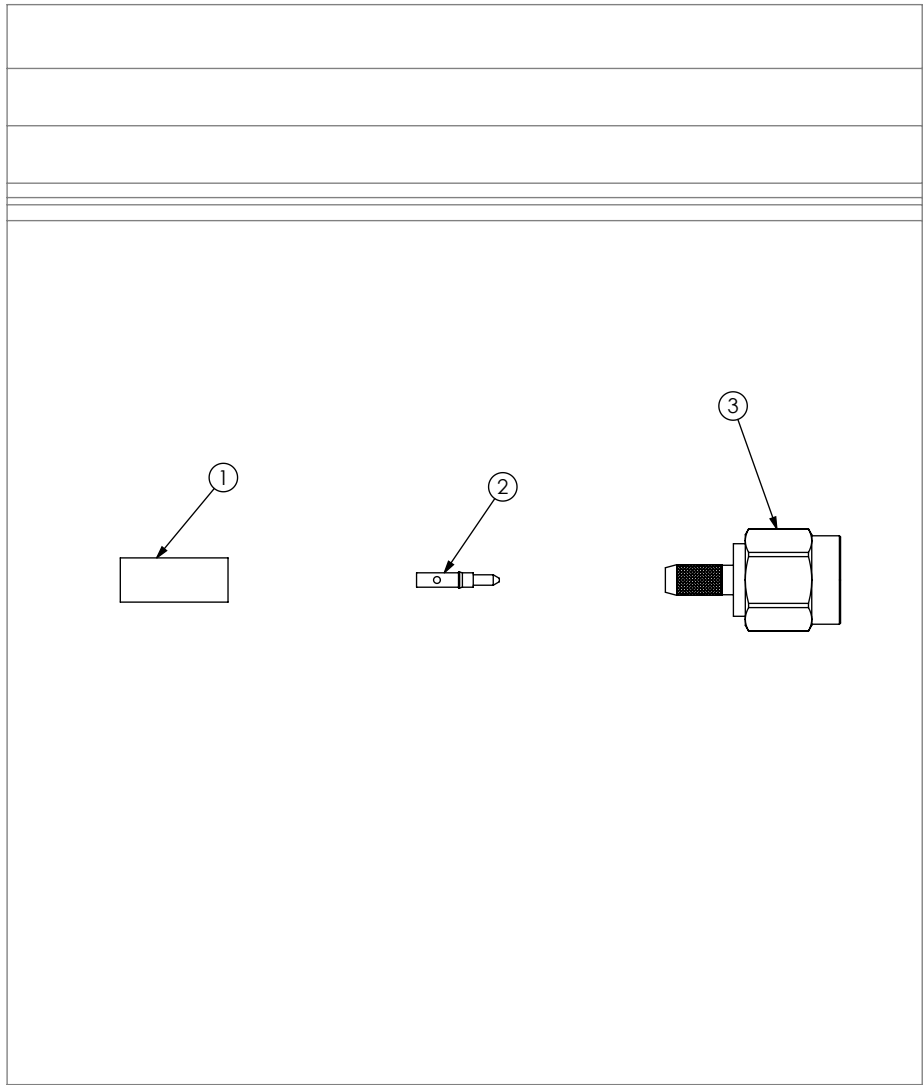


520 PARK EAST BLVD, NEW ALBANY, IN 47150
PHONE: 812-944-6733 FAX: 812-948-5047
e-Mail: info@SAMTEC.com code: 55322

DESCRIPTION:
SMA STRAIGHT CABLE PLUG, RG174 & RG316- 50 OHM

DWG. NO. **SMA-P-C-X-ST-CA1-X**

BY: R MUSSER 01/22/2008 SHEET 2 OF 3



PACKAGING VIEW
SMA-P-C-X-ST-CA1 SHOWN

F:\DWG\MISC\MKTG\SMA-P-C-X-ST-CA1-X-MKT.SLDDRW

* PROPRIETARY NOTE *
THIS DOCUMENT CONTAINS CONFIDENTIAL AND PROPRIETARY INFORMATION AND ALL DESIGN, MANUFACTURING, REPRODUCTION, USE, PATENT RIGHTS AND SALES RIGHTS ARE EXPRESSLY RESERVED BY SAMTEC, INC. THIS DOCUMENT SHALL NOT BE DISCLOSED, IN WHOLE OR PART, TO ANY UNAUTHORIZED PERSON OR ENTITY NOR REPRODUCED, TRANSFERRED OR INCORPORATED IN ANY OTHER PROJECT IN ANY MANNER WITHOUT THE EXPRESS WRITTEN CONSENT OF SAMTEC, INC.

DO NOT SCALE DRAWING

SHEET SCALE: 1.5:1



520 PARK EAST BLVD, NEW ALBANY, IN 47150
PHONE: 812-944-6733 FAX: 812-948-5047
e-Mail: info@SAMTEC.com code: 55322

DESCRIPTION:
SMA STRAIGHT CABLE PLUG, RG174 & RG316- 50 OHM

DWG. NO. SMA-P-C-X-ST-CA1-X

BY: R MUSSER 01/22/2008 SHEET 3 OF 3