

DO NOT SCALE FROM THIS PRINT

NOTES:

1. Ⓢ REPRESENTS A CRITICAL DIMENSION.
2. BURR ALLOWANCE: .038[.0015] MAX.
3. MINIMUM PUSHOUT FORCE, CONTACTS, AND WELD TABS: .5 LB.
4. MAXIMUM ALLOWABLE BOW: .05[.002] INCH/INCH AFTER ASSEMBLY.
5. NOTE DELETED.
6. INCLUDES CONTACTS AND WELD TABS.
7. DIMENSION APPLIES FROM LINE FORMED BY BODY TO BOTH THE WELD TAB AND THE SOLDER TAIL. WELD TAB AND SOLDER TAIL MAY BE ABOVE OR BELOW LINE FORMED BY BODY.
8. ORDERS WILL BE PACKAGED ACCORDING TO THE SAMTEC PACKAGING EFFICIENCY STANDARDS (SPES) FOUND ON WWW.SAMTEC.COM.
9. ATTACH LABEL TO EACH REEL.

DESIGNED & DIMENSIONED IN MILLIMETERS[INCHES]

SAL1-1XX-XX-XX-S-A-X-XX

No OF POSITIONS
-20, -27, -30, & -40

LEAD STYLE
-01
(USE C-192-03-XX)

PLATING SPECIFICATION

- S: 30μ" SELECTIVE GOLD IN CONTACT AREA, MATTE TIN ON TAIL. (USE C-192-03-S & WT-20-01-T)
- H: 30μ" GOLD IN CONTACT AREA, 3μ" GOLD ON TAIL. (USE C-192-03-H & WT-20-01-T)
- SM: 30μ" SELECTIVE GOLD IN CONTACT AREA, MATTE TIN ON TAIL. (USE C-192-03-S & WT-20-01-TM)

PACKAGING
BLANK: TUBES
-TR: TAPE & REEL (SEE NOTES 8 & 9)
(REQUIRED FOR NEW CUSTOMERS)
-FR: FULL REEL QTY TAPE & REEL
(SEE NOTES 8 & 9)
(REQUIRED FOR NEW CUSTOMERS)

PICK & PLACE OPTION
-K: POLYAMIDE FILM
(SEE FIG 2, SHT 2)

ALIGNMENT PIN

ROW SPECIFICATION
-S: SINGLE (USE SAL1-XX-S-A)

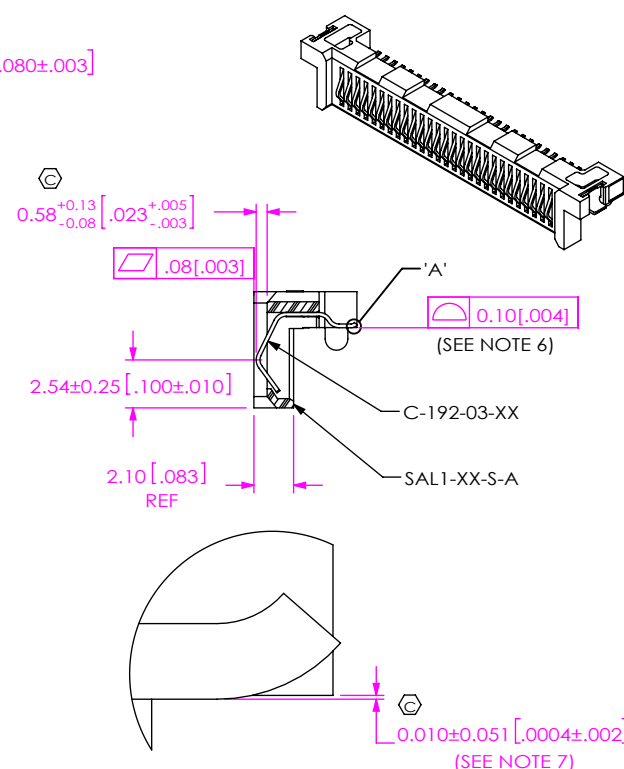
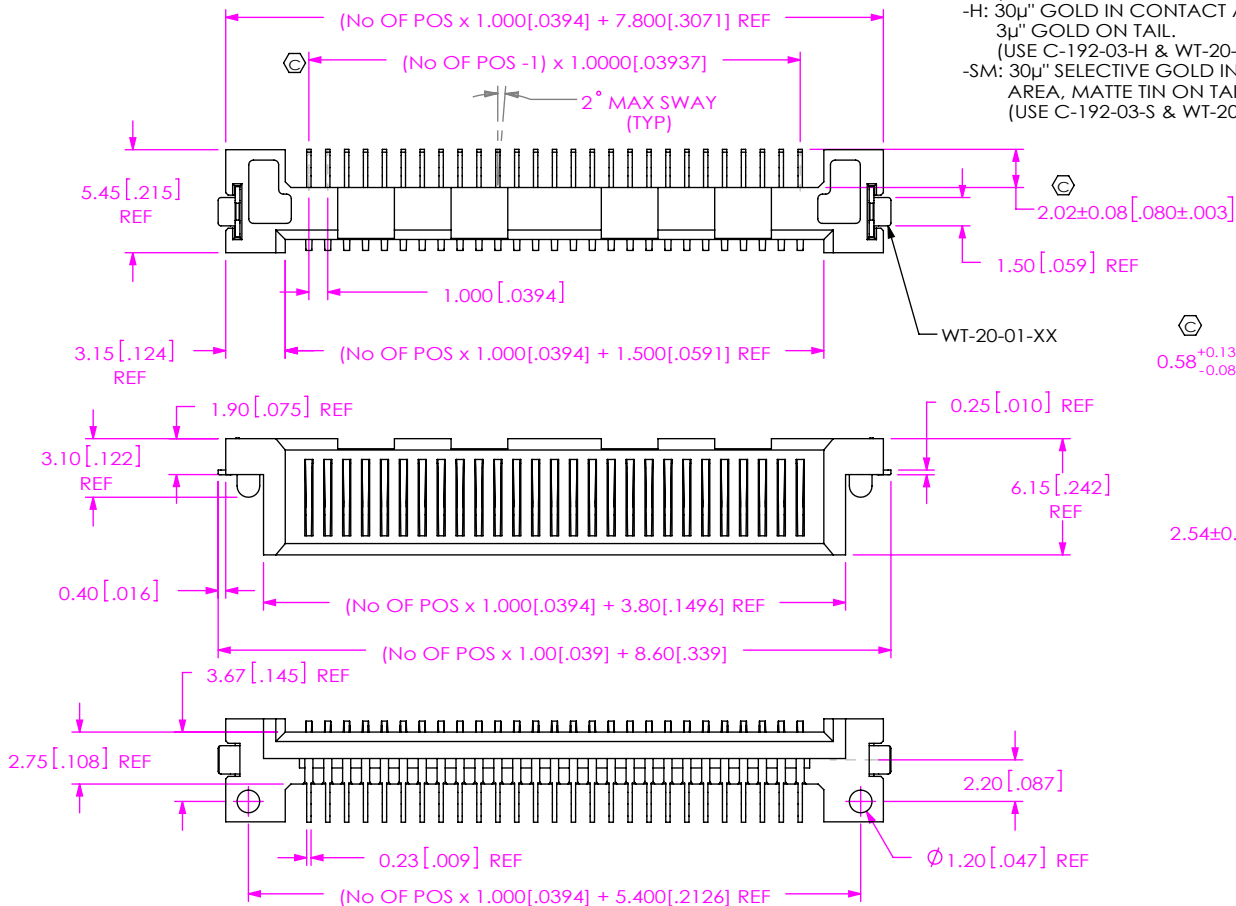
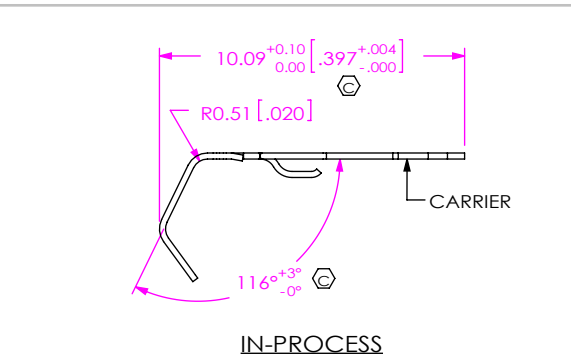


FIG 1
SAL1-127-01-XX-S-A SHOWN

DETAIL 'A'
SCALE 50 : 1



UNLESS OTHERWISE SPECIFIED, DIMENSIONS ARE IN MILLIMETERS.
TOLERANCES ARE:
DECIMALS ANGLES
.X: ±.3 [.01] 2°
.XX: ±.13 [.005]
.XXX: ±.051 [.0020]

PROPRIETARY NOTE
THIS DOCUMENT CONTAINS CONFIDENTIAL AND PROPRIETARY INFORMATION AND ALL DESIGN, MANUFACTURING, REPRODUCTION, USE, PATENT RIGHTS AND SALES RIGHTS ARE EXPRESSLY RESERVED BY SAMTEC, INC. THIS DOCUMENT SHALL NOT BE DISCLOSED, IN WHOLE OR PART, TO ANY UNAUTHORIZED PERSON OR ENTITY NOR REPRODUCED, TRANSFERRED OR INCORPORATED IN ANY OTHER PROJECT IN ANY MANNER WITHOUT THE EXPRESS WRITTEN CONSENT OF SAMTEC, INC.

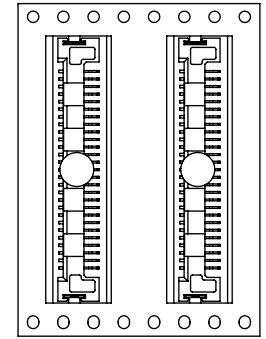
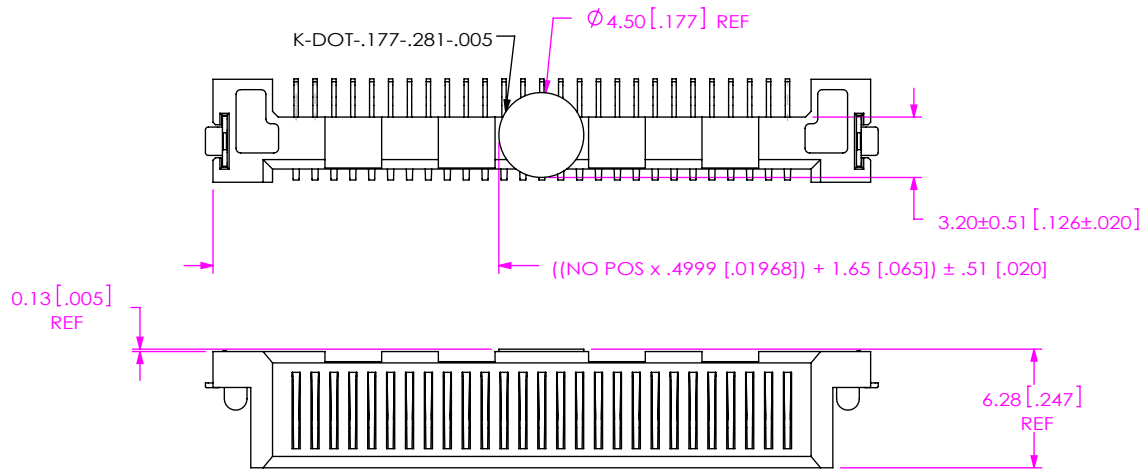
MATERIAL: DO NOT SCALE DRAWING SHEET SCALE: 2:5:1
INSULATOR: LCP, COLOR: BLACK
CONTACT: BeCu



520 PARK EAST BLVD, NEW ALBANY, IN 47150
PHONE: 812-944-6733 FAX: 812-948-5047
e-Mail: info@SAMTEC.com code 55322

DESCRIPTION:
1MM SERIAL ATA LINK CONNECTOR
DWG. NO.
SAL1-1XX-XX-XX-S-A-X-XX
BY: DEAN P 09-23-2010 SHEET 1 OF 2

FIG 2
SAL1-127-01-XX-S-A-K SHOWN
SAME AS FIG 1 EXCEPT AS SHOWN



USER DIRECTION OF UN-REELING →
POCKET NOT DETAILED

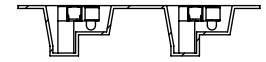
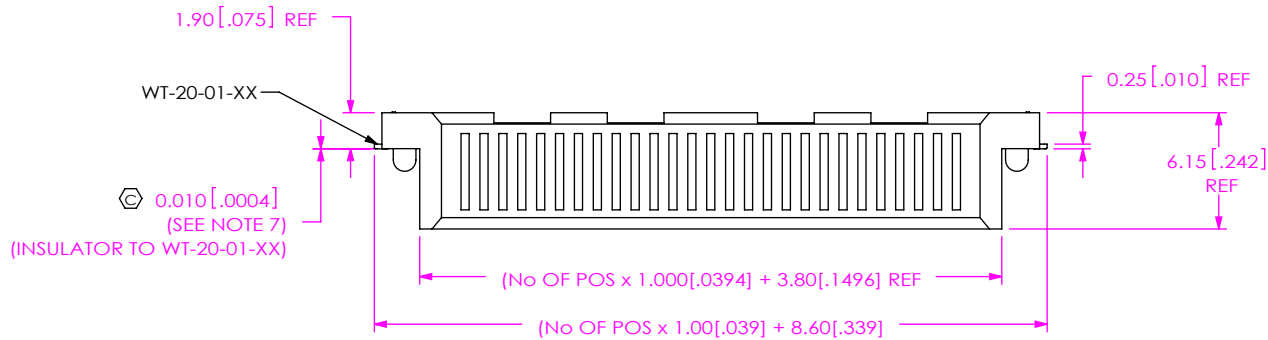
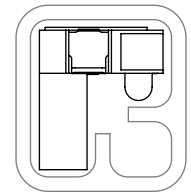


FIG 3
TAPE & REEL PACKAGING



SUB ASSEMBLY
SUB-SAL1-127-01-XX-XX-S-A SHOWN
(FILL WT-20-01-XX)
(PARTS TO BE BULK PACKAGED)

EXISTING CUSTOMERS ONLY



TUBE PACKAGING
TUBE: PT-1-24-01-144
PLUG: TP-24-02

PROPRIETARY NOTE
THIS DOCUMENT CONTAINS CONFIDENTIAL AND PROPRIETARY INFORMATION AND ALL DESIGN, MANUFACTURING, REPRODUCTION, USE, PATENT RIGHTS AND SALES RIGHTS ARE EXPRESSLY RESERVED BY SAMTEC, INC. THIS DOCUMENT SHALL NOT BE DISCLOSED, IN WHOLE OR PART, TO ANY UNAUTHORIZED PERSON OR ENTITY NOR REPRODUCED, TRANSFERRED OR INCORPORATED IN ANY OTHER PROJECT IN ANY MANNER WITHOUT THE EXPRESS WRITTEN CONSENT OF SAMTEC, INC.

DO NOT SCALE DRAWING

SHEET SCALE: 2.5:1



520 PARK EAST BLVD, NEW ALBANY, IN 47150
PHONE: 812-944-6733 FAX: 812-948-5047
e-Mail info@SAMTEC.com code 55322

DESCRIPTION:
1MM SERIAL ATA LINK CONNECTOR

DWG. NO.
SAL1-1XX-XX-XX-S-A-X-XX

BY: DEAN P 09-23-2010 SHEET 2 OF 2