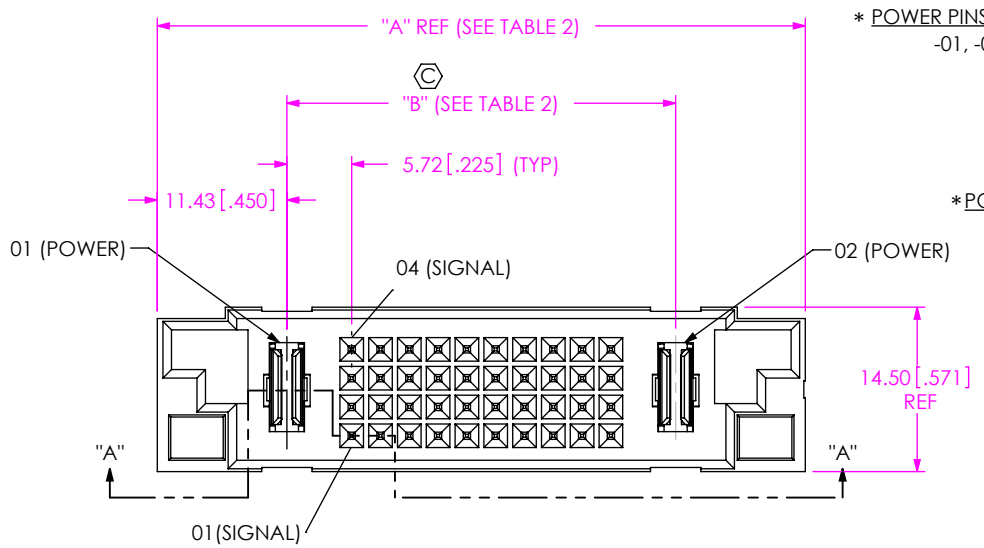
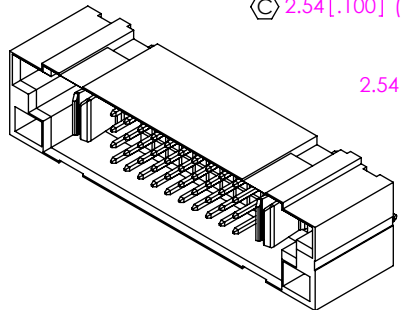
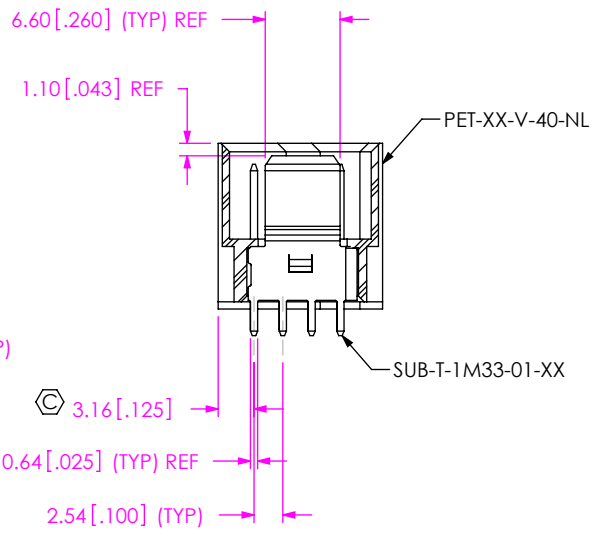
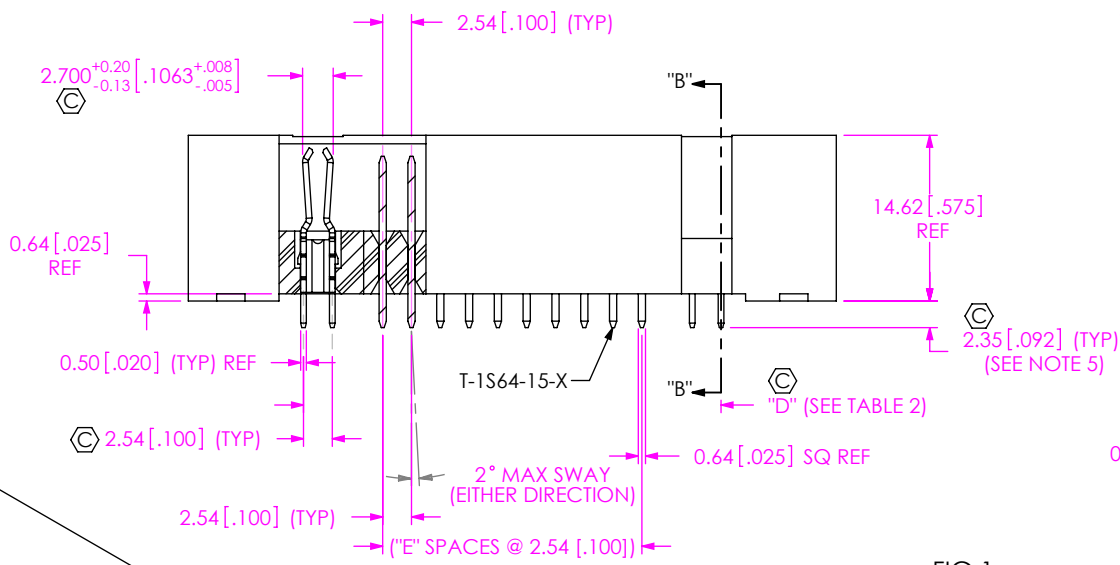


DO NOT
SCALE FROM
THIS PRINT



- * POWER PINS (PER END 1)
-01, -02, -04
 - * SIGNAL PINS
-12, -40
 - * POWER PINS (PER END 2)
-01, -02, -04
 - LEAD STYLE
-01
 - PLATING SPECIFICATION
-S: 30µ" SELECTIVE GOLD IN CONTACT AREA, MATTE TIN ON TAIL
-T: MATTE TIN CONTACT AND TAIL
-L: 10µ" SELECTIVE GOLD IN CONTACT AREA, MATTE TIN ON TAIL
 - OPTION
-L: LATCH EARS (SEE FIG 5, SHT 3)
 - OPTION
-LC: LOCKING CLIP (USE LC-11-TM) (SEE FIG 2, SHT 2)
 - VERTICAL
- * - SEE TABLE 1 FOR AVAILABLE COMBINATIONS



SECTION "A"-"A"

SECTION "B"-"B"

FIG 1
PETC-01-40-01-01-X-VT SHOWN

- NOTES:
1. Ⓢ REPRESENTS A CRITICAL DIMENSION.
 2. MAXIMUM BURR ALLOWANCE: 0.13 [.005]
 3. MINIMUM PUSHOUT FORCE: 2.22N [.5 LB].
 4. PARTS TO BE PACKAGED IN TRAYS.
 5. DIMENSION INCLUDES BOTH POWER AND SIGNAL PINS.

TABLE 1	
PART NUMBER	"E"
PETC-01-12-01-01-X-VT-XX	2
PETC-02-12-02-01-X-VT-XX	2
PETC-04-12-04-01-X-VT-XX	2
PETC-01-40-01-01-X-VT-XX	9
PETC-02-40-02-01-X-VT-XX	9
PETC-04-40-04-01-X-VT-XX	9

UNLESS OTHERWISE SPECIFIED, DIMENSIONS ARE IN MILLIMETERS.

TOLERANCES ARE:

DECIMALS	ANGLES
.X: ±0.3 [.01]	2°
.XX: ±0.13 [.005]	
.XXX: ±0.051 [.0020]	

MATERIAL: DO NOT SCALE DRAWING SHEET SCALE: 3:2
INSULATOR: LCP, COLOR: BLACK
TERMINAL: COPPER ALLOY

PROPRIETARY NOTE
THIS DOCUMENT CONTAINS CONFIDENTIAL AND PROPRIETARY INFORMATION AND ALL DESIGN, MANUFACTURING, REPRODUCTION, USE, PATENT RIGHTS AND SALES RIGHTS ARE EXPRESSLY RESERVED BY SAMTEC, INC. THIS DOCUMENT SHALL NOT BE DISCLOSED, IN WHOLE OR PART, TO ANY UNAUTHORIZED PERSON OR ENTITY NOR REPRODUCED, TRANSFERRED OR INCORPORATED IN ANY OTHER PROJECT IN ANY MANNER WITHOUT THE EXPRESS WRITTEN CONSENT OF SAMTEC, INC.

520 PARK EAST BLVD. NEW ALBANY, IN 47150
PHONE: 812-944-6733 FAX: 812-948-5047
e-Mail info@SAMTEC.com code 55322

DESCRIPTION:
VERTICAL POWER TERMINAL

DWG. NO.
PETC-XX-XX-XX-01-X-VT-XX-X

BY: CLAY W 1/11/2006 SHEET 1 OF 3

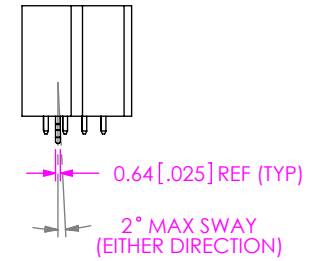
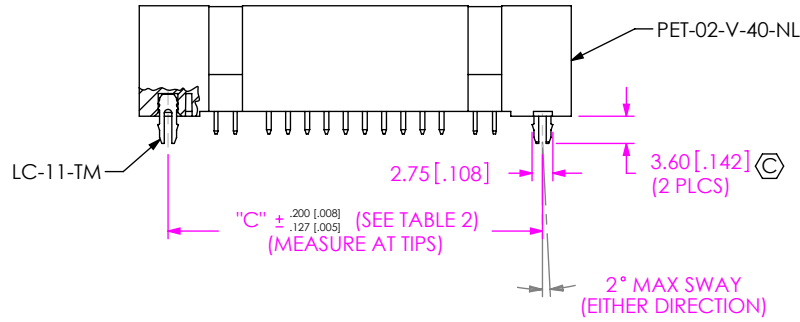


FIG 2
PETC-01-40-01-01-X-VT-LC SHOWN
(SAME AS FIG 1, UNLESS OTHERWISE STATED)

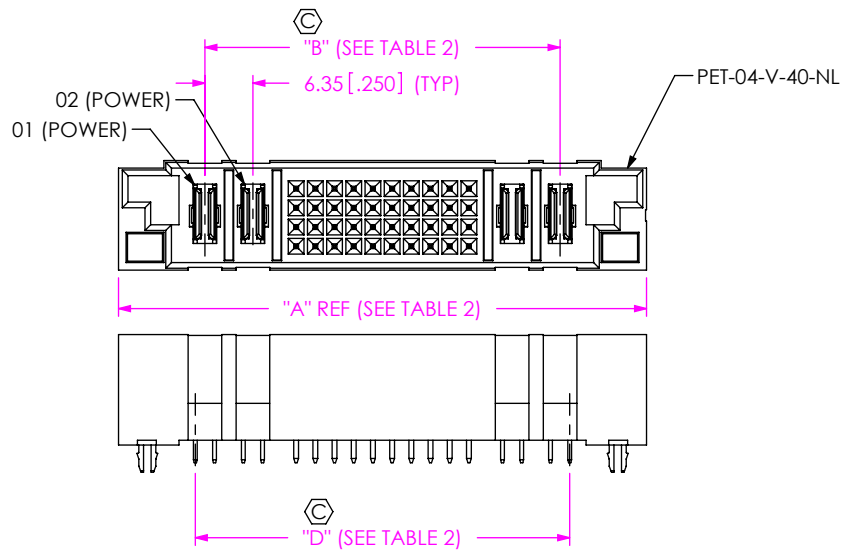
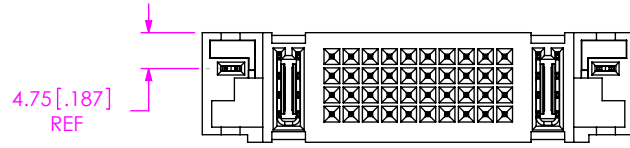


FIG 3
PETC-02-40-02-01-X-VT-LC SHOWN
(SAME AS FIG 1, UNLESS OTHERWISE STATED)

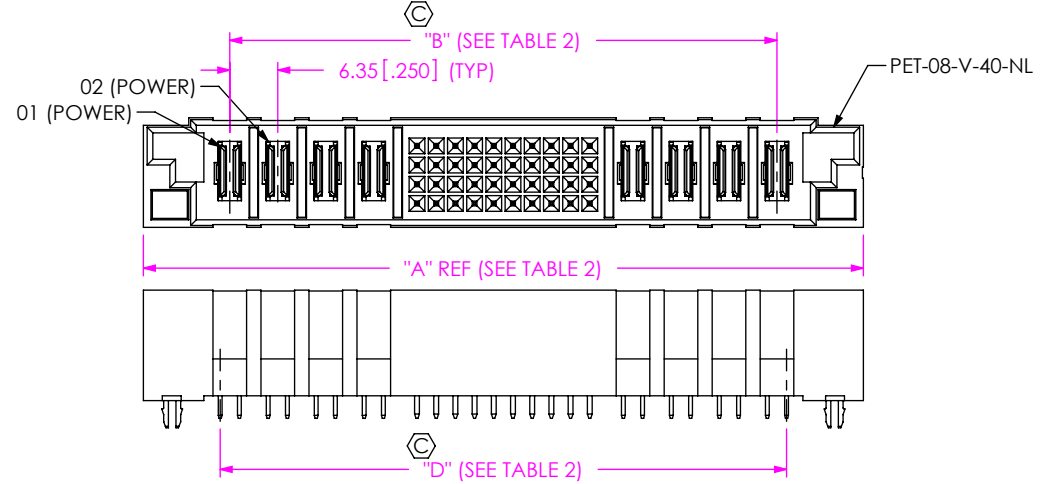


FIG 4
PETC-04-40-04-01-X-VT-LC SHOWN
(SAME AS FIG 1, UNLESS OTHERWISE STATED)

TABLE 2				
PART NUMBER	"A"	"B"	"C"	"D"
PETC-01-12-01-01-X-VT-XX	39.37 [1.550]	16.51 [.650]	31.75 [1.250]	19.05 [.750]
PETC-02-12-02-01-X-VT-XX	52.07 [2.050]	29.21 [1.150]	44.45 [1.750]	31.75 [1.250]
PETC-04-12-04-01-X-VT-XX	77.47 [3.050]	54.61 [2.150]	69.85 [2.750]	57.15 [2.250]
PETC-01-40-01-01-X-VT-XX	57.15 [2.250]	34.29 [1.350]	49.53 [1.950]	36.83 [1.450]
PETC-02-40-02-01-X-VT-XX	69.85 [2.750]	46.99 [1.850]	62.23 [2.450]	49.53 [1.950]
PETC-04-40-04-01-X-VT-XX	95.25 [3.750]	72.39 [2.850]	87.63 [3.450]	74.93 [2.950]

F:\DWG\MISC\MKTG\PETC-XX-XX-XX-01-X-VT-XX-X-MKT.SLDRW

PROPRIETARY NOTE

THIS DOCUMENT CONTAINS CONFIDENTIAL AND PROPRIETARY INFORMATION AND ALL DESIGN, MANUFACTURING, REPRODUCTION, USE, PATENT RIGHTS AND SALES RIGHTS ARE EXPRESSLY RESERVED BY SAMTEC, INC. THIS DOCUMENT SHALL NOT BE DISCLOSED, IN WHOLE OR PART, TO ANY UNAUTHORIZED PERSON OR ENTITY NOR REPRODUCED, TRANSFERRED OR INCORPORATED IN ANY OTHER PROJECT IN ANY MANNER WITHOUT THE EXPRESS WRITTEN CONSENT OF SAMTEC, INC.

DO NOT SCALE DRAWING

SHEET SCALE: 1:1



520 PARK EAST BLVD, NEW ALBANY, IN 47150
PHONE: 812-944-6733 FAX: 812-948-5047
e-Mail info@SAMTEC.com code 55322

DESCRIPTION:
VERTICAL POWER TERMINAL

DWG. NO.
PETC-XX-XX-XX-01-X-VT-XX-X

BY: CLAY W 1/11/2006 SHEET 2 OF 3

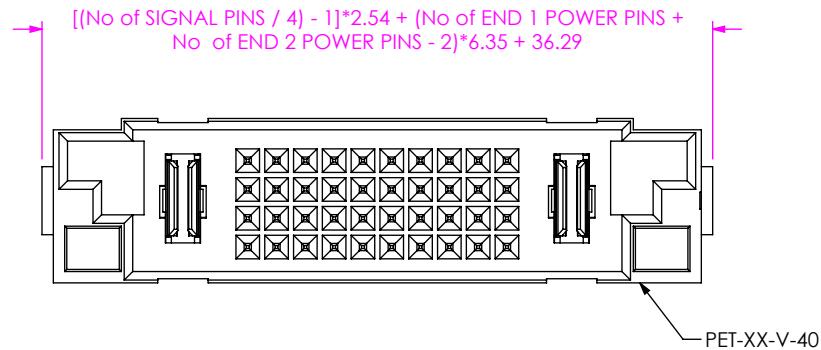


FIG 5
 PETC-01-40-01-01-X-VT-XX-L SHOWN
 (SAME AS FIG 1, UNLESS OTHERWISE STATED)

PROPRIETARY NOTE
 * THIS DOCUMENT CONTAINS CONFIDENTIAL AND PROPRIETARY INFORMATION AND ALL DESIGN, MANUFACTURING, REPRODUCTION, USE, PATENT RIGHTS AND SALES RIGHTS ARE EXPRESSLY RESERVED BY SAMTEC, INC. THIS DOCUMENT SHALL NOT BE DISCLOSED, IN WHOLE OR PART, TO ANY UNAUTHORIZED PERSON OR ENTITY NOR REPRODUCED, TRANSFERRED OR INCORPORATED IN ANY OTHER PROJECT IN ANY MANNER WITHOUT THE EXPRESS WRITTEN CONSENT OF SAMTEC, INC. *

DO NOT SCALE DRAWING

SHEET SCALE: 1.5:1



520 PARK EAST BLVD, NEW ALBANY, IN 47150
 PHONE: 812-944-6733 FAX: 812-948-5047
 e-Mail info@SAMTEC.com code 55322

DESCRIPTION:	VERTICAL POWER TERMINAL
DWG. NO.	PETC-XX-XX-XX-01-X-VT-XX-X
BY: CLAY W	1/11/2006 SHEET 3 OF 3