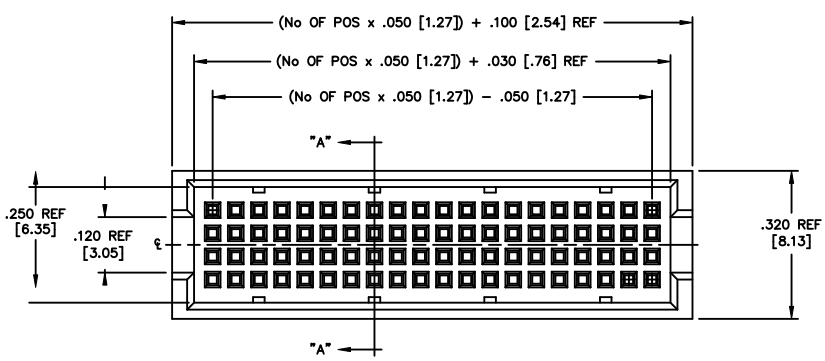


REVISION V

DIMENSIONS ARE IN INCHES		UNLESS OTHERWISE NOTED		TOLERANCES ARE:	
ONE PLACE DECIMALS ± .1	THREE PLACE DECIMALS ± .005	ANGLES	± 5°		
TWO PLACE DECIMALS ± .01	FOUR PLACE DECIMALS ± .0020				

TITLE: MIXED TECHNOLOGY .050 X .050 4 ROW SHROUDED TERMINAL STRIP
 DWG NO: MOLC-1XX-M1-XX-X-XX-XX
 SHEET 1 OF 1



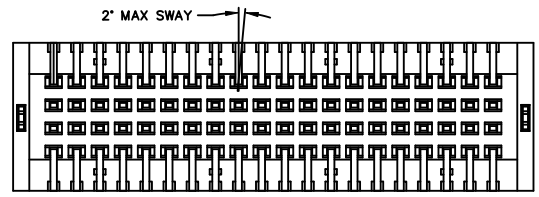
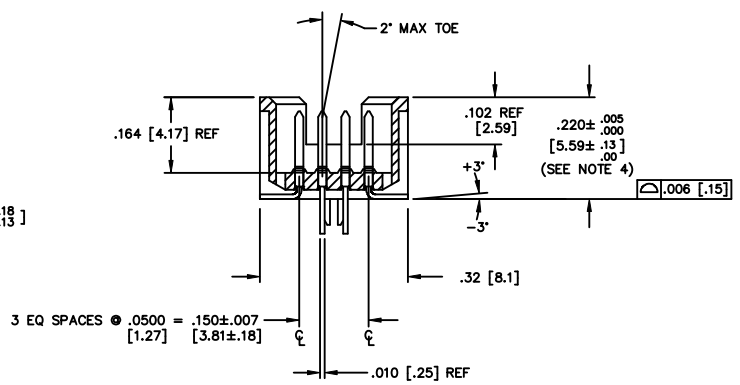
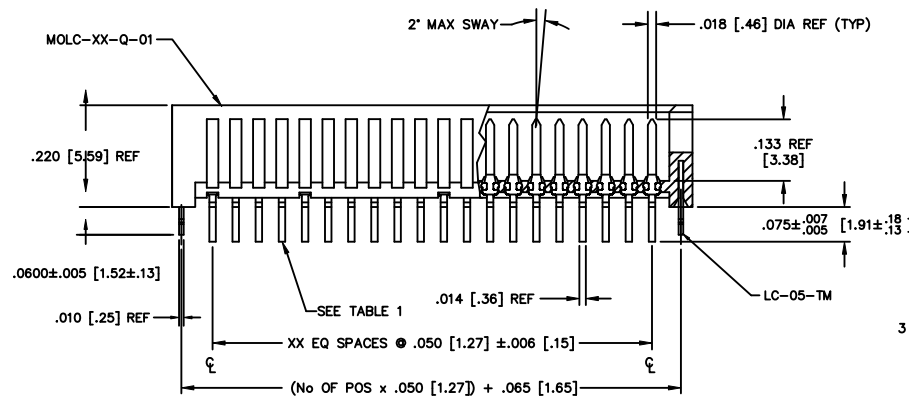
MOLC-1XX-M1-XX-X-XX-XX

* No OF POSITIONS -05 THRU -50
 LEAD STYLE -M1: MIXED TECHNOLOGY (SEE TABLE 1)
 PLATING SPECIFICATIONS (SEE TABLE 1)
 -S: 30μ" SELECTIVE GOLD IN CONTACT AREA, MATTE TIN ON TAIL
 -SM: 30μ" SELECTIVE GOLD IN CONTACT AREA, MATTE TIN ON TAIL
 -L: 10μ" LIGHT SELECTIVE GOLD IN CONTACT AREA, MATTE TIN ON TAIL

PACKAGING
 BLANK: TUBES (SEE NOTES 6 & 7)
 -TR: TAPE & REEL (SEE NOTES 7 & 8)
 -FR: FULL REEL QTY TAPE & REEL (SEE NOTES 7 & 8)
 OPTION
 -LC: LOCKING CLIP (SEE NOTE 5)

BODY SPECIFICATION
 -Q: 4 ROW (USE MOLC-XX-Q-01)

* NOTE: ASSEMBLY TOOLING IS CAPABLE OF BUILDING THE -20, -30 & -50 POSITIONS ONLY AT THIS TIME. WILL HAVE TO BUILD NEW ASSEMBLY TOOLING FOR OTHER SIZES AS REQUIRED BY SALES AND MARKETING.



NOTES:

1. MINIMUM PUSHOUT FORCE: .5 LBS.
2. INSULATOR MATERIAL: VECTRA E130, BLACK, LCP, UL 94 VO
3. TERMINAL MATERIAL: PHOS-BRONZE, 1/2 HARD
4. MEASURED AT BEND RADIUS.
5. DUE TO THE HIGH AMOUNT OF INSERTION FORCE NEEDED, THE -LC OPTION IS NOT COMPATIBLE WITH AUTO PLACEMENT. SAMTEC RECOMMENDS MANUAL PLACEMENT FOR ALL ASSEMBLIES WITH THE -LC OPTION.
6. TUBES ARE STANDARD PACKAGING.
7. ORDERS WILL BE PACKAGED ACCORDING TO THE SAMTEC PACKAGING EFFICIENCY STANDARDS (SPES) FOUND ON WWW.SAMTEC.COM.
8. ATTACH LABEL TO EACH REEL.

PROPRIETARY NOTE
 THE INFORMATION CONTAINED HEREIN IS THE PROPERTY OF SAMTEC AND IS UNCLASSIFIED EXCEPT WHERE SHOWN OTHERWISE. IT IS TO BE CONTAINED IN THE FORM OF A CONFIDENTIAL DOCUMENT AND IS NOT TO BE DISCLOSED TO ANY OTHER PARTY WITHOUT THE WRITTEN CONSENT OF SAMTEC.

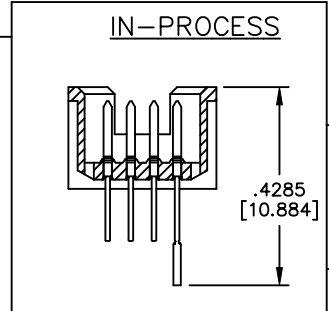
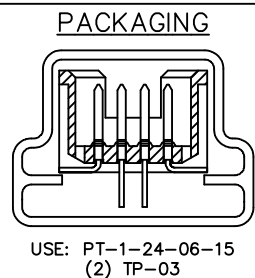


TABLE 1

PLATING	TERMINAL
-S	T-1R16-01-S-2
-SM	T-1R16-01-S-2
-L	T-1R16-01-L-2

EXISPROD\ASSEMBLY\050 MOLC-M1

samtec

520 PARK EAST BLVD. NEW ALBANY, INDIANA 47150
 PHONE (812) 944-6733 P.O. BOX 1147
 CODE 55322

MADE BY: PLUMMER 04-01-96

MOLC-1XX-M1-XX-X-XX-XX
 SHEET 1 OF 1