

DO NOT SCALE FROM THIS PRINT

THIS PRODUCT MANUFACTURED WITH LEAD-FREE PROCESSING

DESIGNED & DIMENSIONED IN MILLIMETERS [INCHES]

MMCX-P-C-X-RA-CA1-X

GENDER
-P: PLUG

TYPE
-C: CABLE

PLATING SPECIFICATION

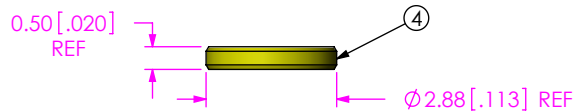
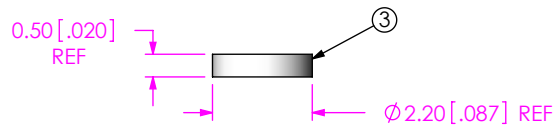
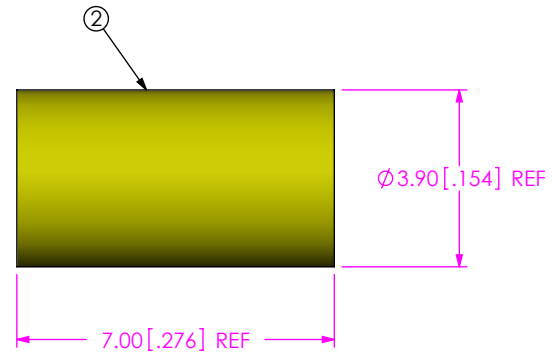
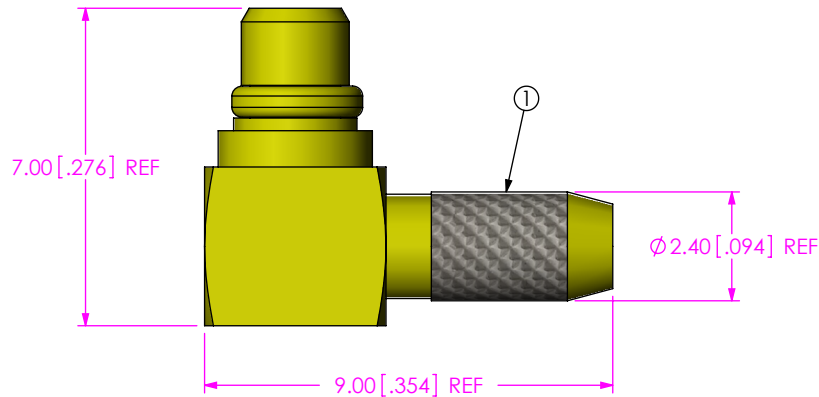
-H: 30µ" GOLD CENTER CONTACT,
3µ" GOLD OUTER CONTACT
(SEE TABLE 1)

PACKAGING
-BLANK: INDIVIDUALLY BAGGED
-B: BULK PACKAGE (QTY=100 MAX)

TERMINATION
-CA1: CABLE
(RG174 OR RG316)

ORIENTATION
-RA: RIGHT ANGLE

TABLE 1		
ITEM	COMPONENT	-H
1	SUB ASSEMBLY	SUB-MMCX-P-C-HF-RA-CA1
2	FERRULE	MCX-FER-002-F
3	INSULATOR	MMCX-INS-001
4	CAP	MMCX-CAP-001-F



NOTES:

- ⊕ REPRESENTS A CRITICAL DIMENSION.
- CENTER CONTACT PUSHOUT FORCE: 26.69 N [6LB] MIN
- NOTE DELETED.
- NOTE DELETED.
- PRODUCT TO BE PACKAGED PER PRECISION RF SECTION OF PACKAGING MANUAL
- NOTE DELETED.
- NOTE DELETED.
- NOTE DELETED.

F:\DWG\MISC\MKTG\MMCX-P-C-X-RA-CA1-X-MKT.SLDDRW

UNLESS OTHERWISE SPECIFIED, DIMENSIONS ARE IN MILLIMETERS [INCHES].

TOLERANCES ARE:


DECIMALS	ANGLES
.X: ±0.3 [.01]	5°
.XX: ±0.13 [.005]	
.XXX: ±0.051 [.0020]	

PROPRIETARY NOTE

THIS DOCUMENT CONTAINS CONFIDENTIAL AND PROPRIETARY INFORMATION AND ALL DESIGN, MANUFACTURING, REPRODUCTION, USE, PATENT RIGHTS AND SALES RIGHTS ARE EXPRESSLY RESERVED BY SAMTEC, INC. THIS DOCUMENT SHALL NOT BE DISCLOSED, IN WHOLE OR PART, TO ANY UNAUTHORIZED PERSON OR ENTITY NOR REPRODUCED, TRANSFERRED OR INCORPORATED IN ANY OTHER PROJECT IN ANY MANNER WITHOUT THE EXPRESS WRITTEN CONSENT OF SAMTEC, INC.

MATERIAL: DO NOT SCALE DRAWING SHEET SCALE: 6:1

SHELL, FERRULE, CAP: BRASS
CONTACT: BRASS
DIELECTRIC: PTFE



520 PARK EAST BLVD., NEW ALBANY, IN 47150
PHONE: 812-944-6733 FAX: 812-948-5047
e-Mail info@SAMTEC.com code 55322

DESCRIPTION:
MMCX R/A CABLE PLUG, RG174 & RG316- 50 OHM

DWG. NO.
MMCX-P-C-X-RA-CA1-X

BY: R MUSSER 02/06/2008 SHEET 1 OF 3



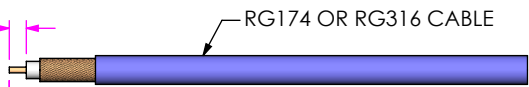
1.50±0.30 [.059±.012]



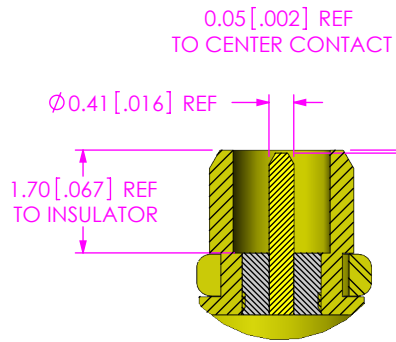
2.70±0.30 [.106±.012]



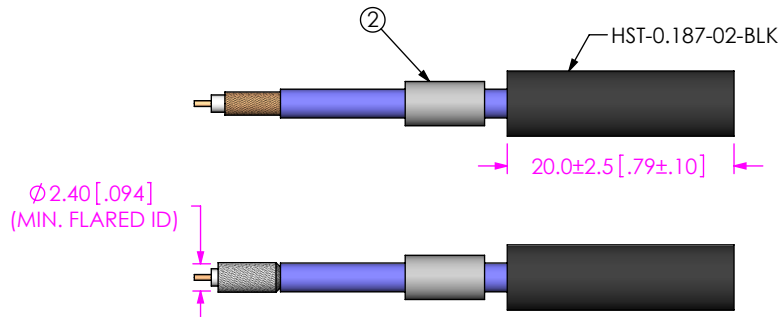
7.60±0.30 [.299±.012]



IN-PROCESS 1
STRIP AND TIN INNER CONDUCTOR

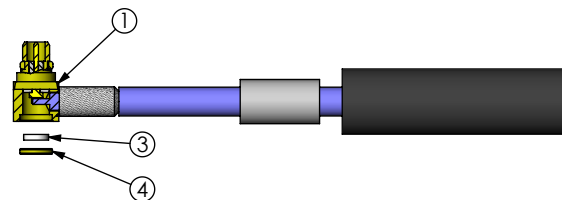


DETAIL 'A'
SCALE 8:1

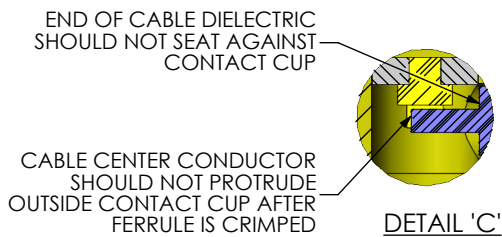


IN-PROCESS 2
ADD HEAT SHRINK TUBE AND FERRULE

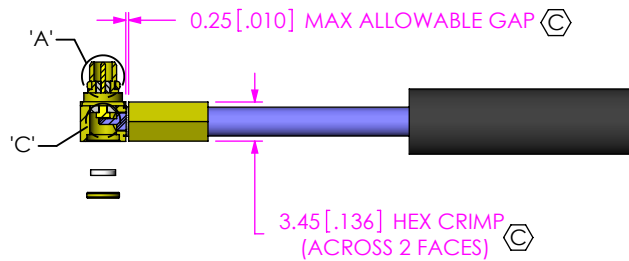
IN-PROCESS 3
FLARE SHIELD



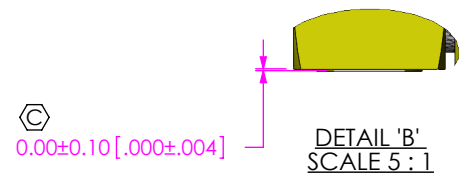
IN-PROCESS 4
ADD SUB ASSEMBLY



DETAIL 'C'



IN-PROCESS 5
CRIMP FERRULE & SOLDER SIGNAL PIN
(USE RF CRIMP HAND TOOL #CAT-RF-FER-001 AND 0.128" DIE SIZE)



DETAIL 'B'
SCALE 5:1



IN-PROCESS 6
INSERT INSULATOR AND CAP



IN-PROCESS 7
APPLY HEAT SHRINK TUBING

F:\DWG\MISC\MKTG\MMCX-P-C-X-RA-CA1-X-MKT.SLDDRW

PROPRIETARY NOTE

THIS DOCUMENT CONTAINS CONFIDENTIAL AND PROPRIETARY INFORMATION AND ALL DESIGN, MANUFACTURING, REPRODUCTION, USE, PATENT RIGHTS AND SALES RIGHTS ARE EXPRESSLY RESERVED BY SAMTEC, INC. THIS DOCUMENT SHALL NOT BE DISCLOSED, IN WHOLE OR PART, TO ANY UNAUTHORIZED PERSON OR ENTITY NOR REPRODUCED, TRANSFERRED OR INCORPORATED IN ANY OTHER PROJECT IN ANY MANNER WITHOUT THE EXPRESS WRITTEN CONSENT OF SAMTEC, INC.

DO NOT SCALE DRAWING

SHEET SCALE: 6:1

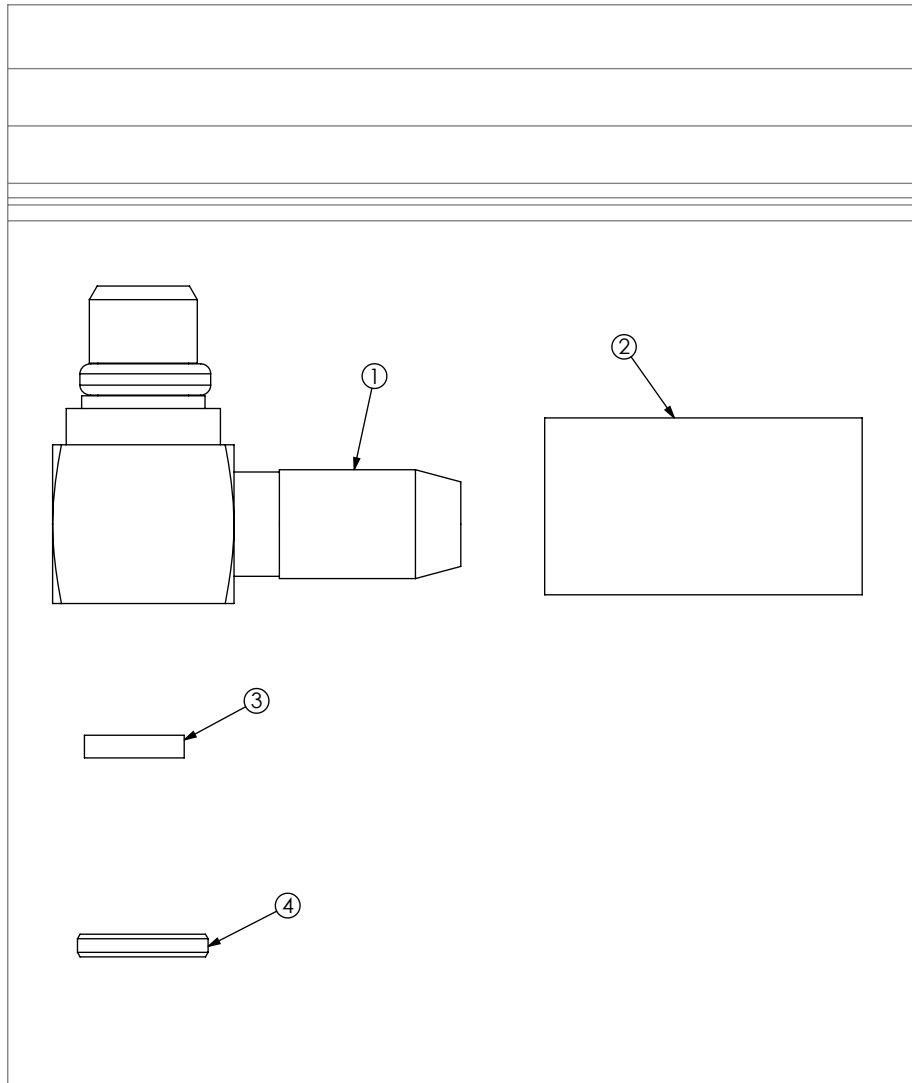


520 PARK EAST BLVD, NEW ALBANY, IN 47150
PHONE: 812-944-6733 FAX: 812-948-5047
e-Mail info@SAMTEC.com code 55322


DESCRIPTION:
MMCX R/A CABLE PLUG, RG174 & RG316- 50 OHM

DWG. NO.
MMCX-P-C-X-RA-CA1-X

BY: R MUSSER 02/06/2008 SHEET 2 OF 3



MMCX-P-C-X-RA-CA1 SHOWN

<p>PROPRIETARY NOTE</p> <p>THIS DOCUMENT CONTAINS CONFIDENTIAL AND PROPRIETARY INFORMATION AND ALL DESIGN, MANUFACTURING, REPRODUCTION, USE, PATENT RIGHTS AND SALES RIGHTS ARE EXPRESSLY RESERVED BY SAMTEC, INC. THIS DOCUMENT SHALL NOT BE DISCLOSED, IN WHOLE OR PART, TO ANY UNAUTHORIZED PERSON OR ENTITY NOR REPRODUCED, TRANSFERRED OR INCORPORATED IN ANY OTHER PROJECT IN ANY MANNER WITHOUT THE EXPRESS WRITTEN CONSENT OF SAMTEC, INC.</p>	 <p>520 PARK EAST BLVD, NEW ALBANY, IN 47150 PHONE: 812-944-6733 FAX: 812-948-5047 e-Mail info@SAMTEC.com code 55322</p>
<p>DO NOT SCALE DRAWING SHEET SCALE: 5:1</p> <p>INSULATOR: BRASS C3604B CONTACT OR TERMINAL: SHIELD: PHOS BRONZE PLATING: CONTACT AREA: .000010 REF GOLD REMAINDER: .000200 REF TIN</p>	<p>DESCRIPTION: MMCX R/A CABLE PLUG, RG174 & RG316- 50 OHM</p> <p>DWG. NO. MMCX-P-C-X-RA-CA1-X</p> <p>BY: R MUSSER 02/06/2008 SHEET 3 OF 3</p>