

THIS PRODUCT MANUFACTURED WITH LEAD-FREE PROCESSING

DESIGNED & DIMENSIONED IN MILLIMETERS [INCHES]

MMCX-J-P-XX-SW-EM1-XX

GENDER
-J: JACK

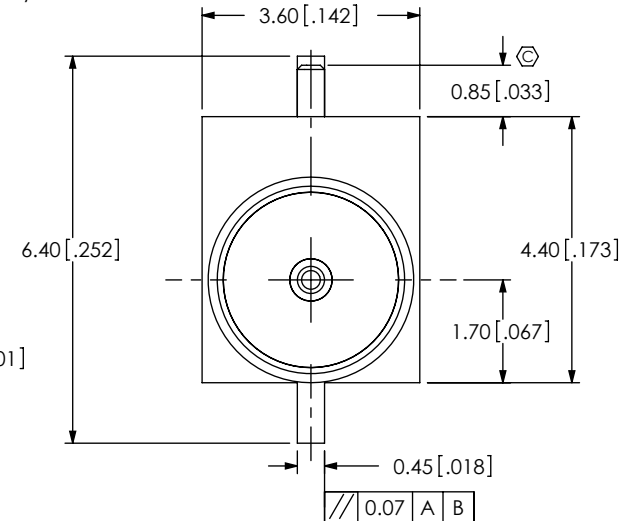
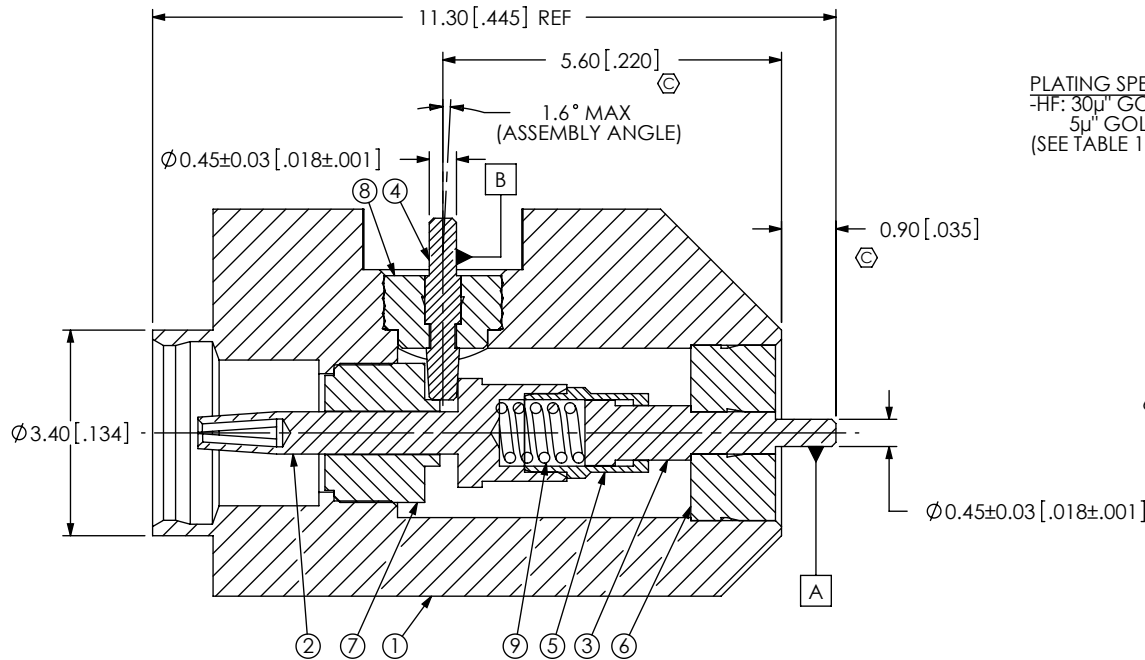
TYPE
-P: PCB

PACKAGING
-BLANK: NO TAPE & REEL
-TR: TAPE & REEL (SEE SHT 2)

TERMINATION
-EM1: EDGE MOUNT

PLATING SPECIFICATION
-HF: 30µ" GOLD CENTER CONTACT
5µ" GOLD OUTER CONTACT (SEE TABLE 1)

ORIENTATION
-SW: SWITCHABLE

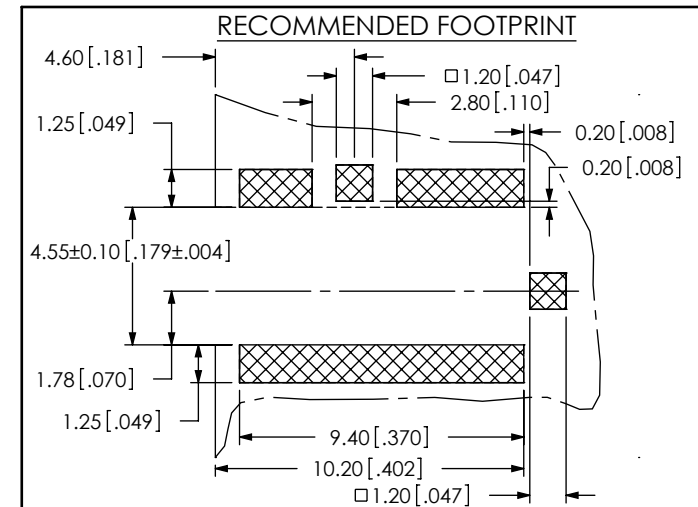
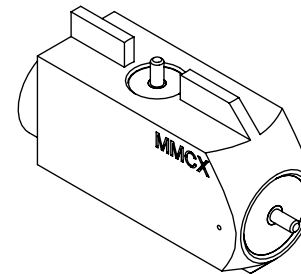


SPECIFICATIONS:

ELECTRICAL RATINGS

Impedance	50 ohm
Internal Frequency Range	0 ~ 3 GHz
External Frequency Range	0 ~ 6 GHz
V.S.W.R.	1.5 max.
Working Voltage (at Sea Level)	100 V RMS max.
Dielectric Withstanding Voltage (at Sea Level)	250 V RMS min.
Contact Resistance	5 Milliohms max.
Center Contact	3 Milliohms max.
Outer Contact	
Insulation Resistance	500 megohms min.
Durability (Machined)	500 cycles

ITEM	COMPONENT	-HF
1	SHELL	5µ" GOLD
2	PIN 1	30µ" GOLD
3	PIN 2	5µ" GOLD
4	PIN 3	5µ" GOLD
5	SLEEVE	5µ" GOLD
6	INSULATOR 1	
7	INSULATOR 2	
8	INSULATOR 3	
9	SPRING	



NOTES:

- ⊙ REPRESENTS A CRITICAL DIMENSION.
- A. FOR OPTION -TR, 250 PIECES MINIMUM AND 1,000 PIECES MAXIMUM REQUESTED PER REEL.
B. OPTION BLANK WILL BE PACKAGED IN TRAYS, EACH TRAY WILL HAVE 3 PARTS PER CAVITY AND 300 PIECES PER TRAY.

UNLESS OTHERWISE SPECIFIED, DIMENSIONS ARE IN MILLIMETERS. TOLERANCES ARE:
DECIMALS ANGLES
X.X: ±0.3 [.01] 5°
X.XX: ±0.13 [.005]
X.XXX: ±0.051 [.0020]

PROPRIETARY NOTE

THIS DOCUMENT CONTAINS INFORMATION CONFIDENTIAL AND PROPRIETARY TO SAMTEC, INC. AND SHALL NOT BE REPRODUCED OR TRANSFERRED TO OTHER DOCUMENTS OR DISCLOSED TO OTHERS OR USED FOR ANY PURPOSE OTHER THAN THAT WHICH IT WAS OBTAINED WITHOUT THE EXPRESSED WRITTEN CONSENT OF SAMTEC, INC.



520 PARK EAST BLVD. NEW ALBANY, IN 47150
PHONE: 812-944-6733 FAX: 812-948-5047
e-Mail: info@SAMTEC.com code 55322

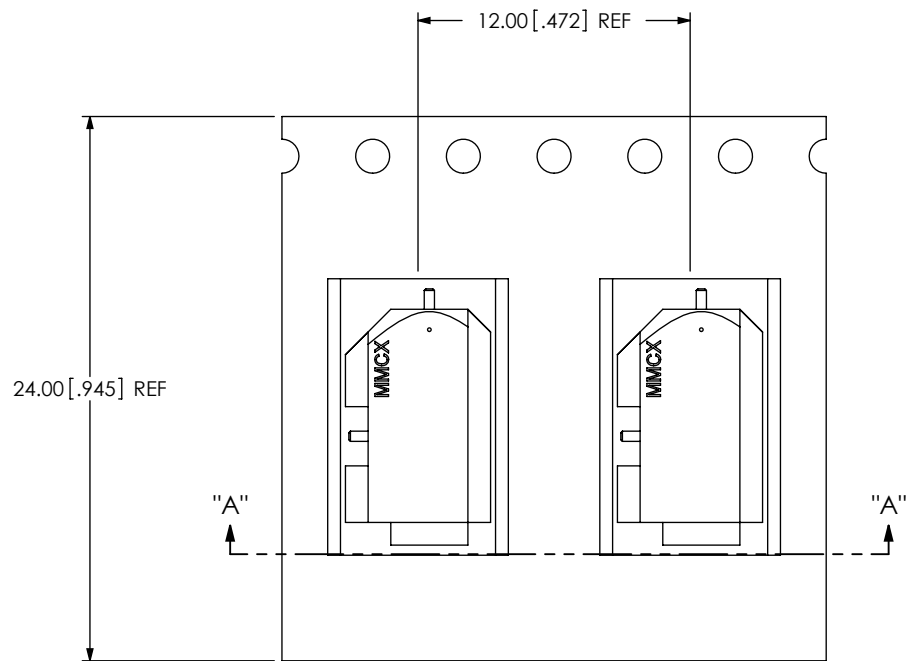
MATERIAL: DO NOT SCALE DRAWING SHEET SCALE: 8:1

INSULATORS: TEFLON
SLEEVE: PHOSPHOR BRONZE
PIN 1: BeCu
PIN 2, 3 & SHELL: BRASS
SPRING: STAINLESS SUS304

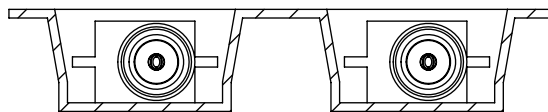
DESCRIPTION: MMCX SWITCH EDGE-CARD RECEPTACLE FOR S.M.T.

DWG. NO. **MMCX-J-P-XX-SW-EM1-XX**

BY: EMMA CHEN 11/10/2011 SHEET 1 OF 2



USER DIRECTION OF UN-REELING →
POCKET NOT DETAILED



SECTION "A"-"A"
PACKAGING VIEW

PROPRIETARY NOTE
THIS DOCUMENT CONTAINS INFORMATION CONFIDENTIAL AND PROPRIETARY TO SAMTEC, INC. AND SHALL NOT BE REPRODUCED OR TRANSFERRED TO OTHER DOCUMENTS OR DISCLOSED TO OTHERS OR USED FOR ANY PURPOSE OTHER THAN THAT WHICH IT WAS OBTAINED WITHOUT THE EXPRESSED WRITTEN CONSENT OF SAMTEC, INC.

DO NOT SCALE DRAWING

SHEET SCALE: 3:1



520 PARK EAST BLVD, NEW ALBANY, IN 47150
PHONE: 812-944-6733 FAX: 812-948-5047
e-Mail info@SAMTEC.com code 55322

DESCRIPTION: MMCX SWITCH EDGE-CARD RECEPTACLE FOR S.M.T.

DWG. NO. **MMCX-J-P-XX-SW-EM1-XX**

BY: EMMA CHEN 11/10/2011 | SHEET 2 OF 2