

**DESIGNED & DIMENSIONED
IN MILLIMETERS
(INCHES FOR REFERENCE ONLY)**

MEC6-1XX-02-X-DV-XX-X-XX

No OF POSITIONS
-10, -20, -30, -40,
-50, -60, -70

CARD THICKNESS
-02: 1.57mm [.062]
THICK CARD

PLATING SPECIFICATION
-L: LIGHT SELECTIVE GOLD/MATTE TIN (USE C-182-02-L)
-S: SELECTIVE GOLD/MATTE TIN (USE C-182-02-S)

PACKAGING

BLANK: TRAYS (SEE NOTE 4)
-TR: TAPE & REEL (SEE NOTE 6 & 7)
-FR: FULL REEL QTY TAPE & REEL
(SEE NOTE 6 & 7)

PICK & PLACE OPTION

-K: POLYIMIDE FILM PAD
(USE K-DOT-.217-.313-.005)(SEE FIG. 4)

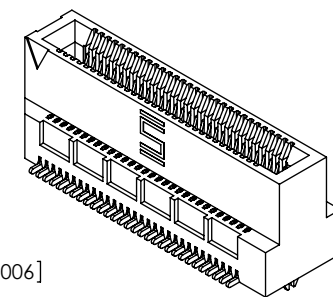
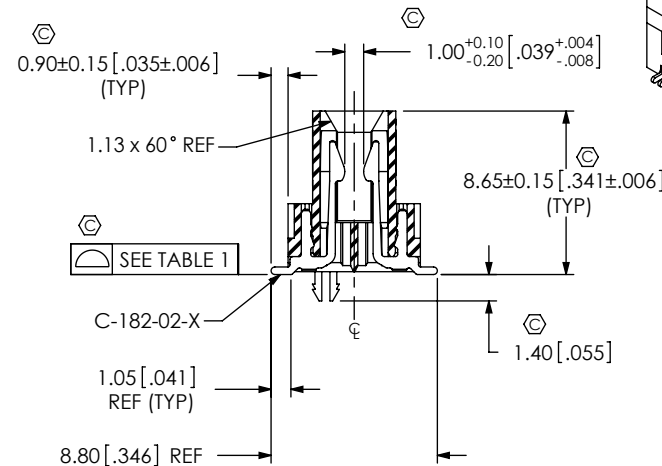
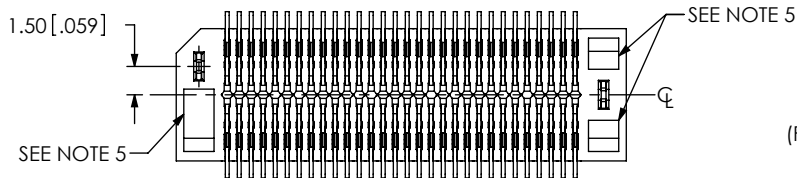
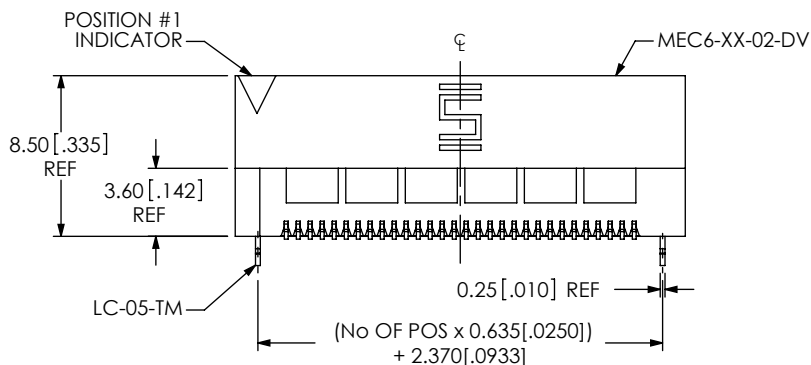
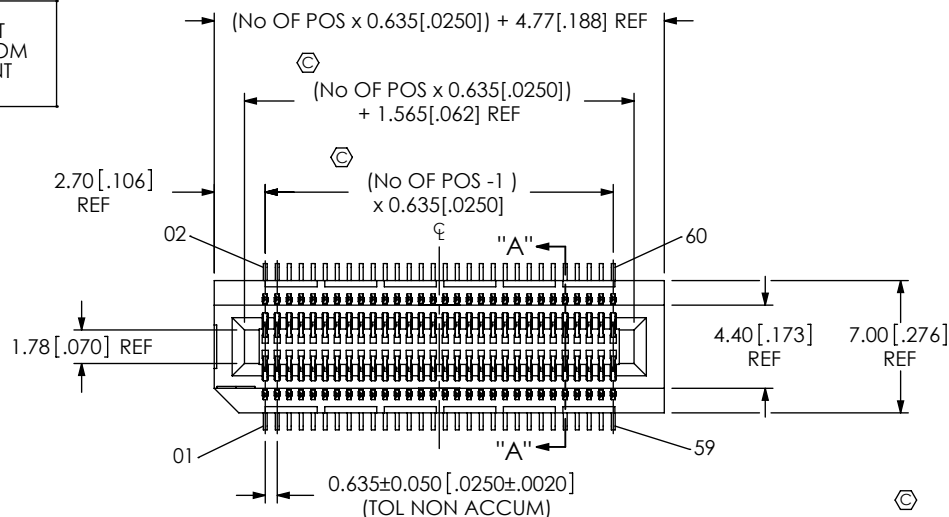
OPTION

-A: ALIGNMENT PINS (SEE FIG. 3)
(USE MEC6-XX-XX-DV-A)
-LC: LOCKING CLIP
(USE LC-05-TM)

ROW SPECIFICATION

-DV: DUAL VERTICAL
(USE MEC6-XX-XX-DV)

DO NOT
SCALE FROM
THIS PRINT



SECTION "A"- "A"

TABLE 1	
No OF POS	COPLANARITY
-10 THRU -50	0.102 [.0040]
-60 & -70	0.152 [.0060]

FIG 1
-LC OPTION SHOWN
MEC6-130-02-X-DV-LC SHOWN
(FOR POSITIONS -10, -20, -30 & -40)

NOTES:

1. Ⓢ REPRESENTS A CRITICAL DIMENSION.
2. MAXIMUM BURR ALLOWANCE: 0.038[.0015].
3. MINIMUM PUSHOUT FORCE: 2.22 N [.5 LB].
4. PARTS TO BE PACKAGED IN TRAYS, UNLESS -TR OPTION IS SPECIFIED.
5. VOID CORING CAN BE USED PER VENDOR'S DISCRETION TO CONTROL BOW SPECIFICATIONS
6. ORDERS WILL BE PACKAGED ACCORDING TO THE SAMTEC PACKAGING EFFICIENCY STANDARDS (SPES) FOUND ON WWW.SAMTEC.COM
7. ATTACH LABEL TO EACH REEL

UNLESS OTHERWISE SPECIFIED, DIMENSIONS ARE IN MILLIMETERS.
TOLERANCES ARE:
DECIMALS ANGLES
.X: ± 0.3 [.01] 2°
.XX: ± 0.13 [.005]
.XXX: ± 0.051 [.0020]

PROPRIETARY NOTE
THIS DOCUMENT CONTAINS CONFIDENTIAL AND PROPRIETARY INFORMATION AND ALL DESIGN, MANUFACTURING, REPRODUCTION, USE, PATENT RIGHTS AND SALES RIGHTS ARE EXPRESSLY RESERVED BY SAMTEC, INC. THIS DOCUMENT SHALL NOT BE DISCLOSED, IN WHOLE OR PART, TO ANY UNAUTHORIZED PERSON OR ENTITY NOR REPRODUCED, TRANSFERRED OR INCORPORATED IN ANY OTHER PROJECT IN ANY MANNER WITHOUT THE EXPRESS WRITTEN CONSENT OF SAMTEC, INC.

MATERIAL: DO NOT SCALE DRAWING SHEET SCALE: 1:0.4
INSULATOR: LCP, COLOR: BLACK
CONTACT: PHOS BRONZE

DESCRIPTION: .635mm VERTICAL MOUNT MINI-EDGE CARD ASSEMBLY
DWG. NO. MEC6-1XX-02-X-DV-XX-X-XX



520 PARK EAST BLVD, NEW ALBANY, IN 47150
PHONE: 812-944-6733 FAX: 812-948-5047
e-Mail: info@SAMTEC.com code: 55322

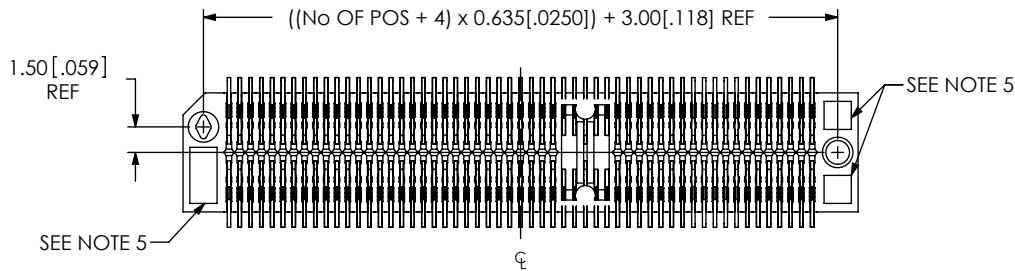
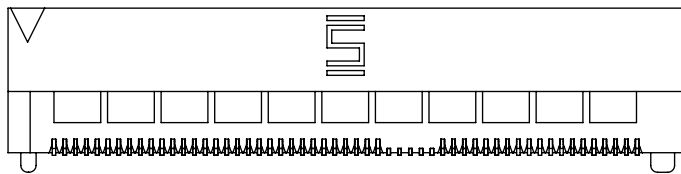
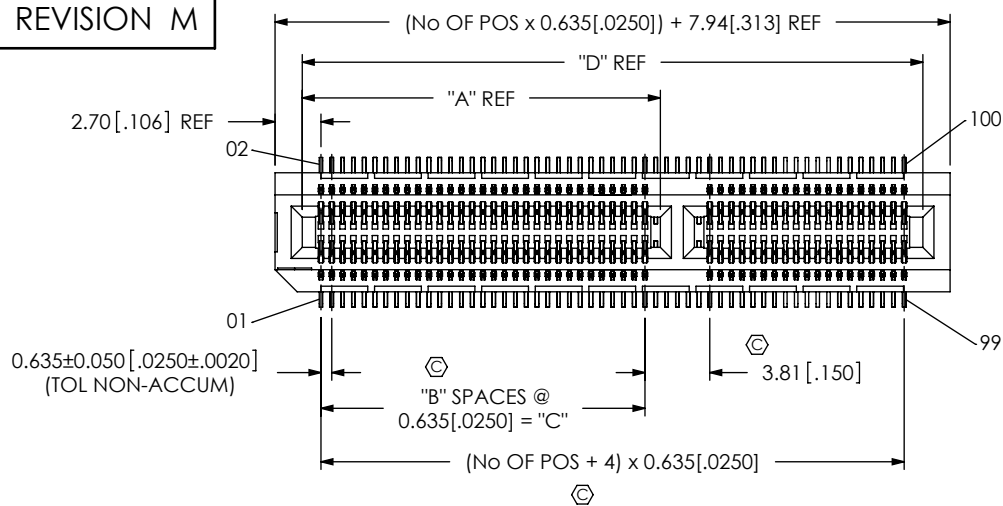


FIG 2
MEC6-150-02-X-DV-A SHOWN
FOR POSITIONS -50 THRU 70
(SAME AS FIG 1, UNLESS OTHERWISE STATED)

TABLE 2				
No OF POS	"A" REF	"B"	"C"	"D" REF
-50	21.055[.8289]	30	19.050[.7500]	36.490[1.4366]
-60	24.865[.9789]	36	22.860[.9000]	42.840[1.6866]
-70	28.675[1.1289]	42	26.670[1.0500]	49.190[1.9366]

FIG 3

-A OPTION

MEC6-140-02-X-DV-A SHOWN
(FOR POSITIONS -10, -20, -30 & -40)

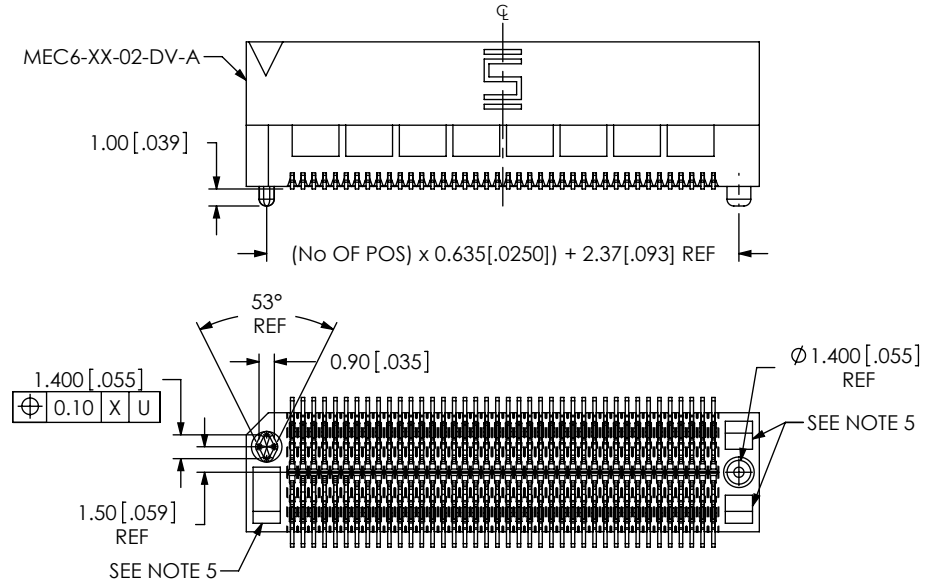


FIG 4

-K OPTION
(USE K-DOT-.217-.313-.005)

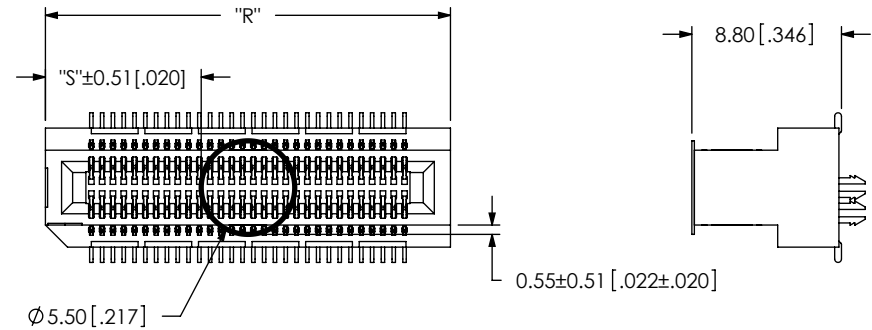


TABLE 3		
No OF POS	"R"	"S"
-10 THRU -40	(No OF POS x 0.635[.0250]) + 4.77[.188] REF	(("R" - 5.50[.217]) / 2) +/-0.51[.020]
-50 THRU -70	(No OF POS x 0.635[.0250]) + 7.94[.313] REF	

PROPRIETARY NOTE

THIS DOCUMENT CONTAINS CONFIDENTIAL AND PROPRIETARY INFORMATION AND ALL DESIGN, MANUFACTURING, REPRODUCTION, USE, PATENT RIGHTS AND SALES RIGHTS ARE EXPRESSLY RESERVED BY SAMTEC, INC. THIS DOCUMENT SHALL NOT BE DISCLOSED, IN WHOLE OR PART, TO ANY UNAUTHORIZED PERSON OR ENTITY NOR REPRODUCED, TRANSFERRED OR INCORPORATED IN ANY OTHER PROJECT IN ANY MANNER WITHOUT THE EXPRESS WRITTEN CONSENT OF SAMTEC, INC.

DO NOT SCALE DRAWING

SHEET SCALE: 1:0.444444



520 PARK EAST BLVD, NEW ALBANY, IN 47150
PHONE: 812-944-6733 FAX: 812-948-5047
e-Mail: info@SAMTEC.com code: 55322

DESCRIPTION:
.635mm VERTICAL MOUNT MINI-EDGE CARD ASSEMBLY

DWG. NO.
MEC6-1XX-02-X-DV-XX-X-XX

BY: DEAN P 05/17/2005 SHEET 2 OF 2