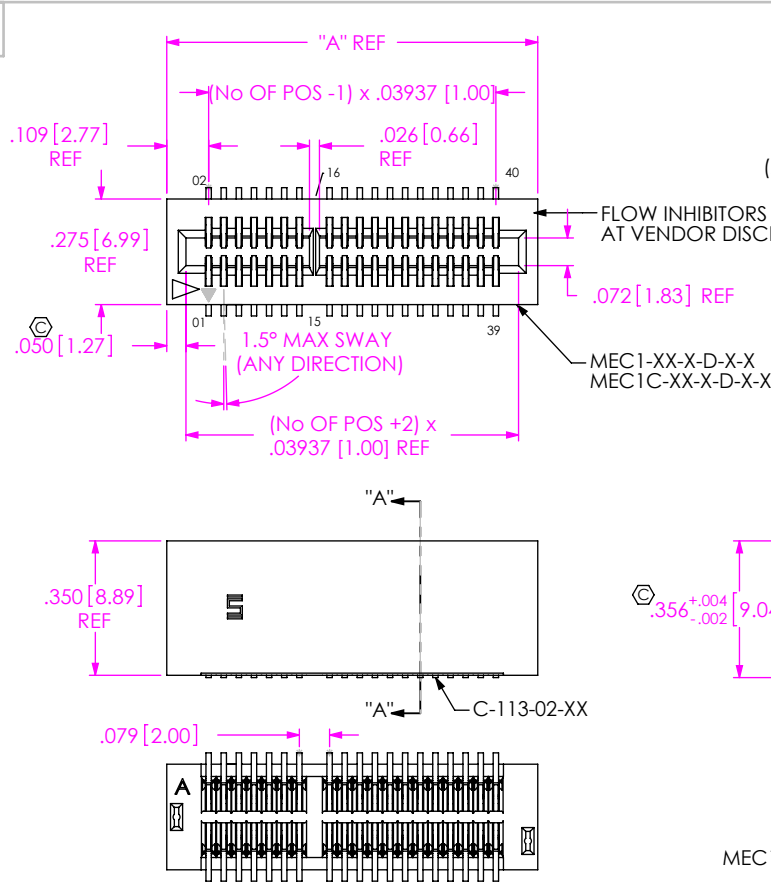


DO NOT SCALE FROM THIS PRINT



MEC1-1XX-XX-XX-D-XX-XX-X-XX

**No OF POSITIONS**  
05, 08, 10, 20, 30, 40, 50, 60 & 70  
(PER ROW, SEE TABLE 1)  
(MEC1C-XX-S-D-X-X ONLY AVAILABLE IN 5 THRU 30 POSITIONS.)  
(MUST USE MEC1-XX-S-D-X-X FOR AUTOMATION, HAND-FILL PROCESS CAN USE EITHER)

**CARD THICKNESS**  
-02: .062 [1.58] THICK CARD

**PLATING SPECIFICATION**  
-F: 3µ" FLASH GOLD IN CONTACT AREA, MATTE TIN ON TAIL  
-L: 10µ" LIGHT GOLD IN CONTACT AREA, MATTE TIN ON TAIL  
-S: 30µ" SELECTIVE GOLD IN CONTACT AREA, MATTE TIN ON TAIL  
-FM: 3µ" FLASH GOLD IN CONACT AREA, MATTE ON TIN TAIL  
-LM: 10µ" LIGHT IN CONTACT AREA, MATTE TIN ON TAIL  
-SM: 30µ" SELECTIVE GOLD IN CONTACT AREA, MATTE TIN ON TAIL

**FLOW INHIBITORS AT VENDOR DISCRETION**

**PACKAGING**  
BLANK: TUBES (SEE NOTE 13)  
-TR: TAPE & REEL PACKAGING (N/A IN 70 POSITION) (SEE FIG 5, SHT 2) (SEE NOTES 14 & 15)  
-FR: FULL REEL QTY. TAPE & REEL (N/A IN 70 POSITION) (SEE NOTES 14 & 15)  
PICK & PLACE OPTION  
-K: POLYIMIDE FILM PAD (SEE FIG 6, SHT 2) (USE K-DOT-.310-.406-.005)

**OPTIONS**  
-LC: LOCKING CLIP (SEE NOTE 8) (SEE FIG 2) (USE LC-05-TM)  
-A: ALIGNMENT PIN (MOLDED, SEE FIG 4, SHT 2)  
**POLARIZED OPTION (SEE TABLE 1)**  
-BLANK: BODY IS POLARIZED  
-NP: NO POLARIZATION (-05 THRU -30 ONLY)

**ROW SPECIFICATION**  
-D: DOUBLE ROW

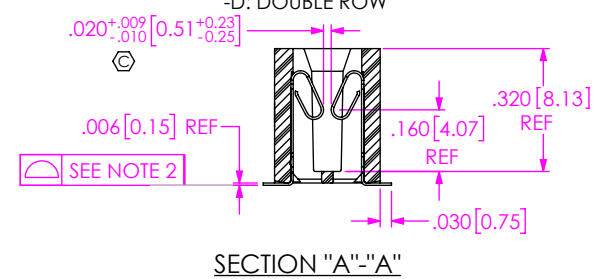
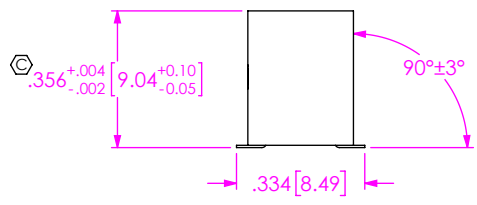


FIG 1  
MEC1-120-02-X-D SHOWN

**TABLE 1**

No OF POS	POSITIONS POLARIZED	"A"	"B" (HAND-FILL)
-05	3, 4	.3756 [9.540]	.3756 [9.540]
-08	5, 6	.4937 [12.540]	.4937 [12.540]
-10	13 & 14	.5724 [14.539]	.5724 [14.539]
-20	15, 16	.9661 [24.539]	.9661 [24.539]
-30	21, 22	1.3598 [34.539]	1.3598 [34.539]
-40	31, 32	1.7535 [44.539]	N/A
-50	41, 42	2.1472 [54.539]	N/A
-60	31, 32, 63 & 64	2.5409 [64.539]	N/A
-70	53, 54, 115 & 116	2.9346 [74.539]	N/A

- NOTES:**
- MINIMUM PUSHOUT FORCE: 10 oz.
  - COPLANARITY: POS -05 THRU -26: .004 [1.0]  
POS -27 THRU -70: .006 [1.5]
  - ⊙ REPRESENTS A CRITICAL DIMENSION.
  - NOTE DELETED.
  - MAXIMUM CUT FLASH: .010; FLASH NOT TO EXTEND BELOW LEADS.
  - MAXIMUM ALLOWABLE BOW: .002 INCH/INCH AFTER ASSEMBLY.
  - MAXIMUM BURR: .003 [0.08], BURR DIRECTION TO BE OPPOSITE OF SOLDER PAD AREA
  - DUE TO THE HIGH AMOUNT OF INSERTION FORCE NEEDED, THE -LC OPTION IS NOT COMPATIBLE WITH AUTO PLACEMENT. SAMTEC RECOMMENDS MANUAL PLACEMENT FOR ALL ASSEMBLIES WITH THE -LC OPTION.
  - C1, OVERALL LENGTH, IS ONLY CONTROLLED BY THIS PRINT FOR CUT-TO-POSITION PARTS. FOR MOLDED-TO-POSITION PARTS, REFERENCE THE COMPONENT PRINT.
  - NOTE DELETED.
  - NOTE DELETED.
  - PART ORIENTATION IN POCKET ONLY TO BE CHECKED ON HAND FILL PARTS.
  - TUBES ARE STANDARD PACKAGING
  - ORDERS WILL BE PACKAGED ACCORDING TO THE SAMTEC PACKAGING EFFICIENCY STANDARDS (SPES) FOUND ON WWW.SAMTEC.COM
  - ATTACH LABEL-4X2 TO EACH REEL.

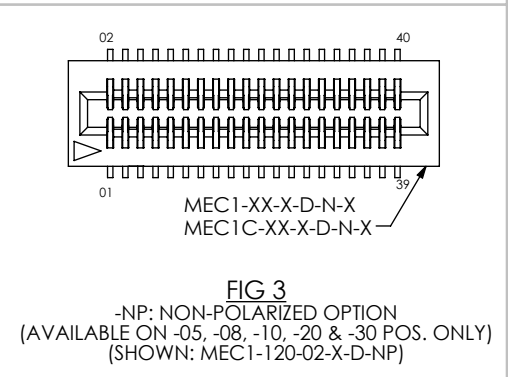
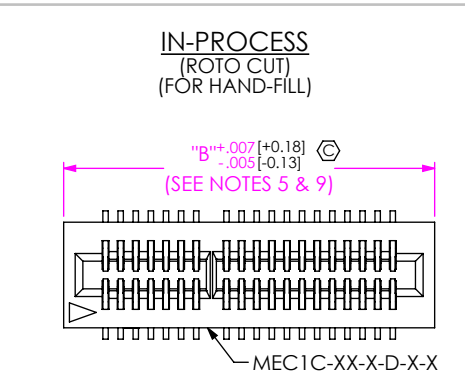
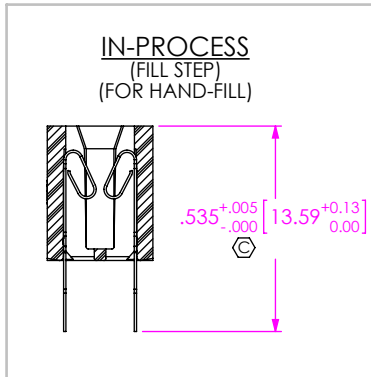


FIG 3  
-NP: NON-POLARIZED OPTION (AVAILABLE ON -05, -08, -10, -20 & -30 POS. ONLY) (SHOWN: MEC1-120-02-X-D-NP)

UNLESS OTHERWISE SPECIFIED, DIMENSIONS ARE IN INCHES.  
TOLERANCES ARE:  
DECIMALS ANGLES  
.XX: ±.01 [.3] 2°  
.XXX: ±.005 [.13]  
.XXXX: ±.0015 [.038]

**PROPRIETARY NOTE**  
THIS DOCUMENT CONTAINS CONFIDENTIAL AND PROPRIETARY INFORMATION AND ALL DESIGN, MANUFACTURING, REPRODUCTION, USE, PATENT RIGHTS AND SALES RIGHTS ARE EXPRESSLY RESERVED BY SAMTEC, INC. THIS DOCUMENT SHALL NOT BE DISCLOSED, IN WHOLE OR PART, TO ANY UNAUTHORIZED PERSON OR ENTITY NOR REPRODUCED, TRANSFERRED OR INCORPORATED IN ANY OTHER PROJECT IN ANY MANNER WITHOUT THE EXPRESS WRITTEN CONSENT OF SAMTEC, INC.

**MATERIAL:** DO NOT SCALE DRAWING SHEET SCALE: 2:1  
**INSULATOR:** VECTRA E130i COLOR: BLACK  
**CONTACT:** BeCu 190 HM

**samtec**  
520 PARK EAST BLVD, NEW ALBANY, IN 47150  
PHONE: 812-944-6733 FAX: 812-948-5047  
e-Mail: info@SAMTEC.com code: 55322

**DESCRIPTION:**  
1mm MINI-EDGE CARD ASSEMBLY

DWG. NO.  
**MEC1-1XX-XX-XX-D-XX-XX-X-XX**

BY: KEVIN B 5/11/2000 SHEET 1 OF 2

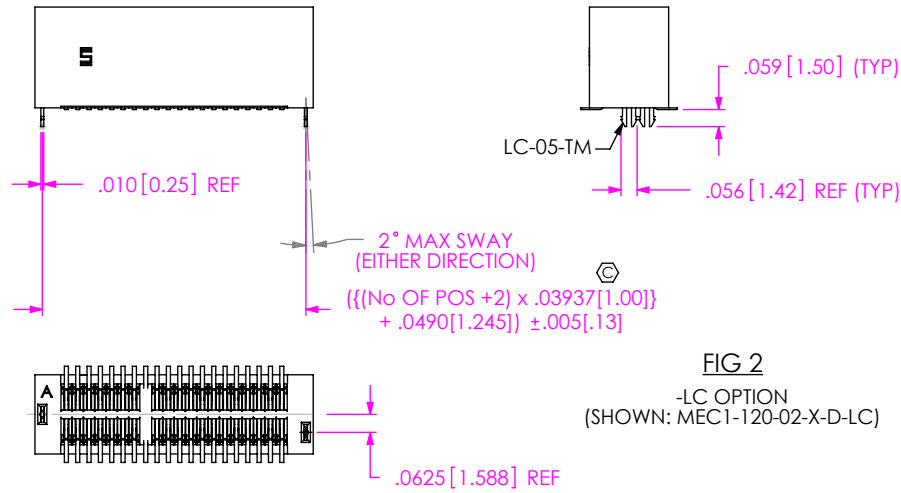


FIG 2  
-LC OPTION  
(SHOWN: MEC1-120-02-X-D-LC)

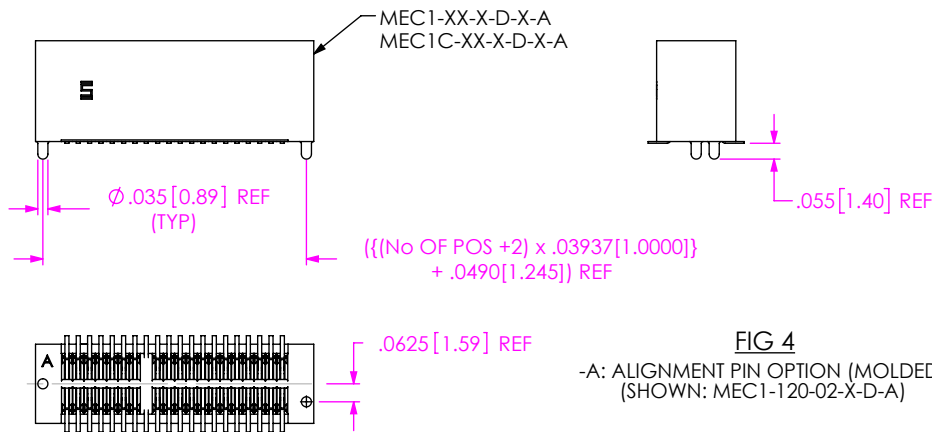


FIG 4  
-A: ALIGNMENT PIN OPTION (MOLDED)  
(SHOWN: MEC1-120-02-X-D-A)

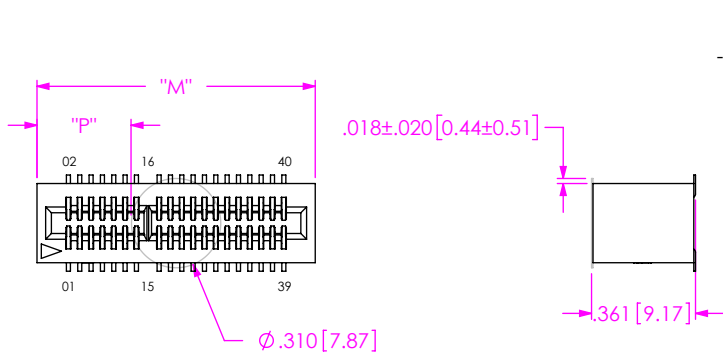
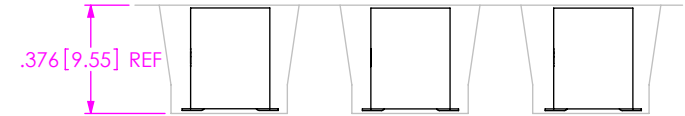
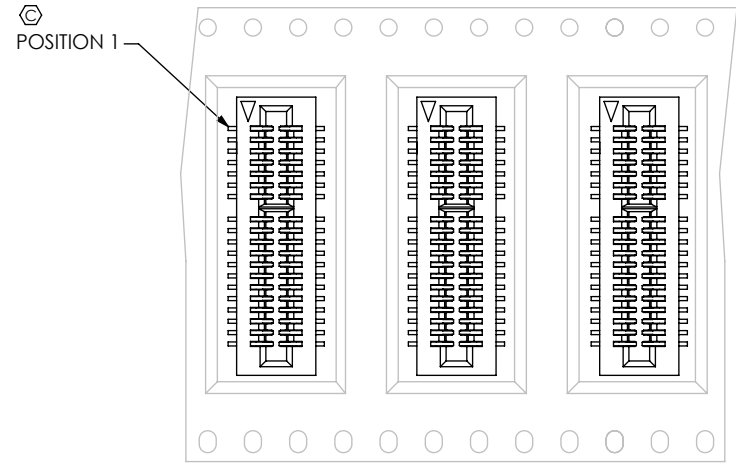


FIG 6  
-K: POLYIMIDE FILM PAD OPTION  
(SHOWN: MEC1-120-02-X-D-K)

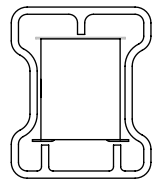
NOTE: "M" = USED MEASURED DIMENSION (REF)  
"P" =  $\{("M" - .310 [7.87]) / 2\} \pm .020 [5.1]$

F:\DWG\MISC\MKTG\MEC1-1XX-XX-XX-D-XX-XX-XX-MKT.SLDDRW

FIG 5  
-TR: TAPE & REEL PACKAGING VIEW  
(NOT DRAWN TO SCALE)  
(SEE NOTE 12)



USER DIRECTION OF UNREELING →



PACKAGING VIEW

TUBE: PT-MEC1001  
PLUG: TP-29

**PROPRIETARY NOTE**  
THIS DOCUMENT CONTAINS CONFIDENTIAL AND PROPRIETARY INFORMATION AND ALL DESIGN, MANUFACTURING, REPRODUCTION, USE, PATENT RIGHTS AND SALES RIGHTS ARE EXPRESSLY RESERVED BY SAMTEC, INC. THIS DOCUMENT SHALL NOT BE DISCLOSED, IN WHOLE OR PART, TO ANY UNAUTHORIZED PERSON OR ENTITY NOR REPRODUCED, TRANSFERRED OR INCORPORATED IN ANY OTHER PROJECT IN ANY MANNER WITHOUT THE EXPRESS WRITTEN CONSENT OF SAMTEC, INC.

DO NOT SCALE DRAWING

SHEET SCALE: 1.5:1

**samtec**

520 PARK EAST BLVD, NEW ALBANY, IN 47150  
PHONE: 812-944-6733 FAX: 812-948-5047  
e-Mail: info@SAMTEC.com code: 53322

DESCRIPTION:  
1mm MINI-EDGE CARD ASSEMBLY

DWG. NO.  
MEC1-1XX-XX-XX-D-XX-XX-X-XX

BY: KEVIN B 5/11/2000 SHEET 2 OF 2