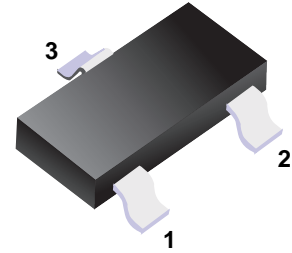


MMBD7000

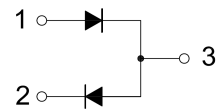
Switching Diodes

Features

- Dual Switching Diode
- Fast Switching Speed
- Surface Mount Package Ideally Suited for Automatic Insertion
- For General Purpose Switching Applications



Simplified outline(SOT-23)



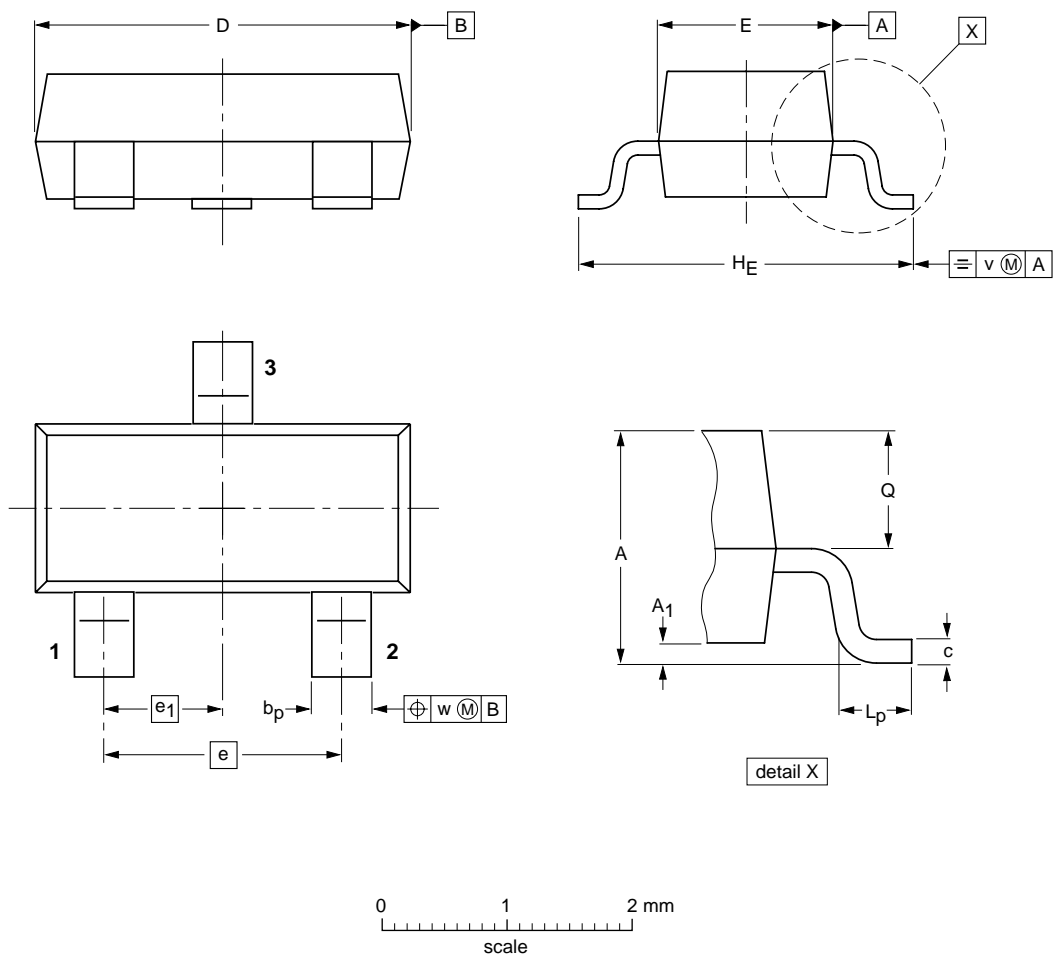
Absolute Maximum Ratings Ta = 25°C

Parameter	Symbol	Rating	Unit
Reverse Voltage	V_{RM}	100	V
Peak Repetitive Reverse Voltage	V_{RRM}	75	
Working Peak Reverse Voltage	V_{RWM}		
RMS Reverse Voltage	V_{RMS}	53	
Average Rectified Output Current	I_o	200	mA
Non-Repetitive Peak Forward Surge Current @ t = 1us @ t = 1s	I_{FSM}	2	A
		1	
Power Dissipation	P_d	225	mW
Thermal Resistance Junction to Ambient	$R_{\theta JA}$	556	°C/W
Junction Temperature	T_J	150	°C
Storage Temperature range	T_{stg}	-55 to 150	

Electrical Characteristics Ta = 25°C

Parameter	Symbol	Test Conditions	Min	Typ	Max	Unit
Reverse breakdown voltage	V_R	$I_R = 100 \mu A$	100			V
Forward voltage	V_F	$I_F = 1 \text{ mA}$			0.7	
		$I_F = 10 \text{ mA}$			0.82	
		$I_F = 100 \text{ mA}$			1.1	
Reverse voltage leakage current	I_R	$V_R = 50 \text{ V}$			1	uA
		$V_R = 100 \text{ V}$			3	
Diode capacitance	C_T	$V_R = 0 \text{ V}, f = 1 \text{ MHz}$			2	pF
Reverse recovery time	t_{rr}	$I_F = I_R = 10 \text{ mA}, I_{rr} = 0.1 \times I_R, R_L = 100 \Omega$			4	ns

■ SOT-23



DIMENSIONS (mm are the original dimensions)

UNIT	A	A ₁ max.	b _p	c	D	E	e	e ₁	H _E	L _p	Q	v	w
mm	1.1 0.9	0.1	0.48 0.38	0.15 0.09	3.0 2.8	1.4 1.2	1.9	0.95	2.5 2.1	0.45 0.15	0.55 0.45	0.2	0.1