

Date of Issue: Nov 16th, 2023

3.2 x 2.5 x 0.8mm

Application

 Safety Non-safety

Page (1) of (4)
Abrakon Drawing # 456603

Revision #: IR

1.0 Key Electrical Specifications

Parameters	Minimum	Typical	Maximum	Units	Notes
Center Frequency	12.000			MHz	
Operation Mode	Fundamental-AT				
Operating Temperature	-40		+85	°C	
Storage Temperature	-55		+125	°C	
Frequency Tolerance at +25 °C	-30		+30	ppm	
Frequency Stability over the Operating Temperature (ref. to +25°C)	-30		+30	ppm	
Equivalent series resistance (R1)			50	Ω	
Shunt Capacitance (C0)			3.0	pF	
Load capacitance (CL)	10			pF	
Drive Level		10	200	μW	
Aging	-5		+5	ppm	@25±3°C, 1st year
Insulation Resistance	500			MΩ	@100Vdc±15V

2.0 ABM8-272-T3 is RoHS/RoHS II Compliant and Pb free

3.0 Moisture Sensitivity Level (MSL) – This product is Hermetically Sealed and not Moisture Sensitive - MSL = 1

4.0 Part Identification and ordering information

 ABM8-272-


Packaging
Blank: Bulk
T3: 3kpcs / reel

Date of Issue: Nov 16th, 2023

3.2 x 2.5 x 0.8mm

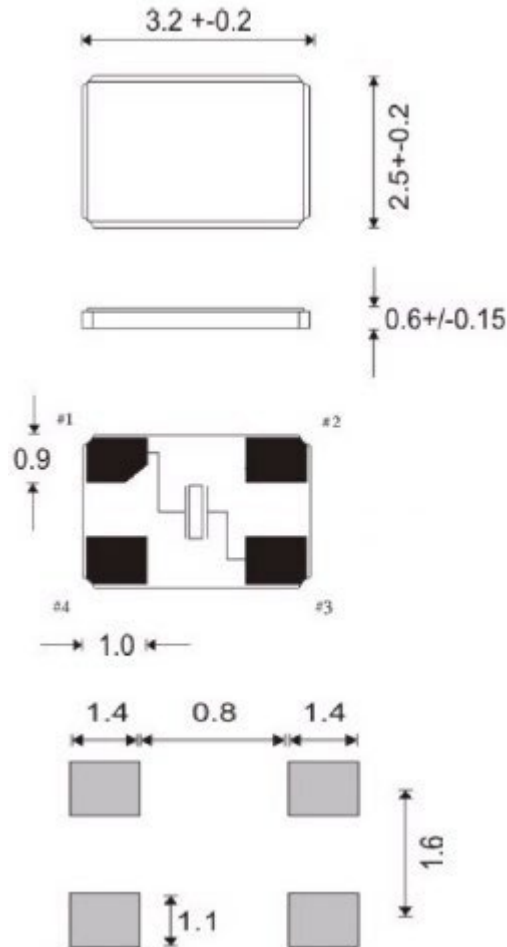
Application

 Safety

 Non-safety

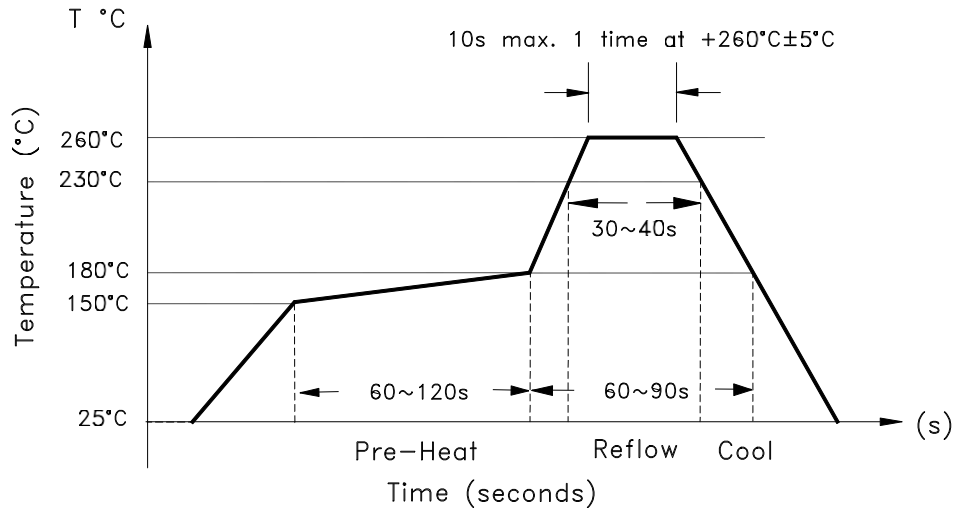
Page (2) of (4)
Abrakon Drawing # 456603

Revision #: IR

5.0 Mechanical Dimensions


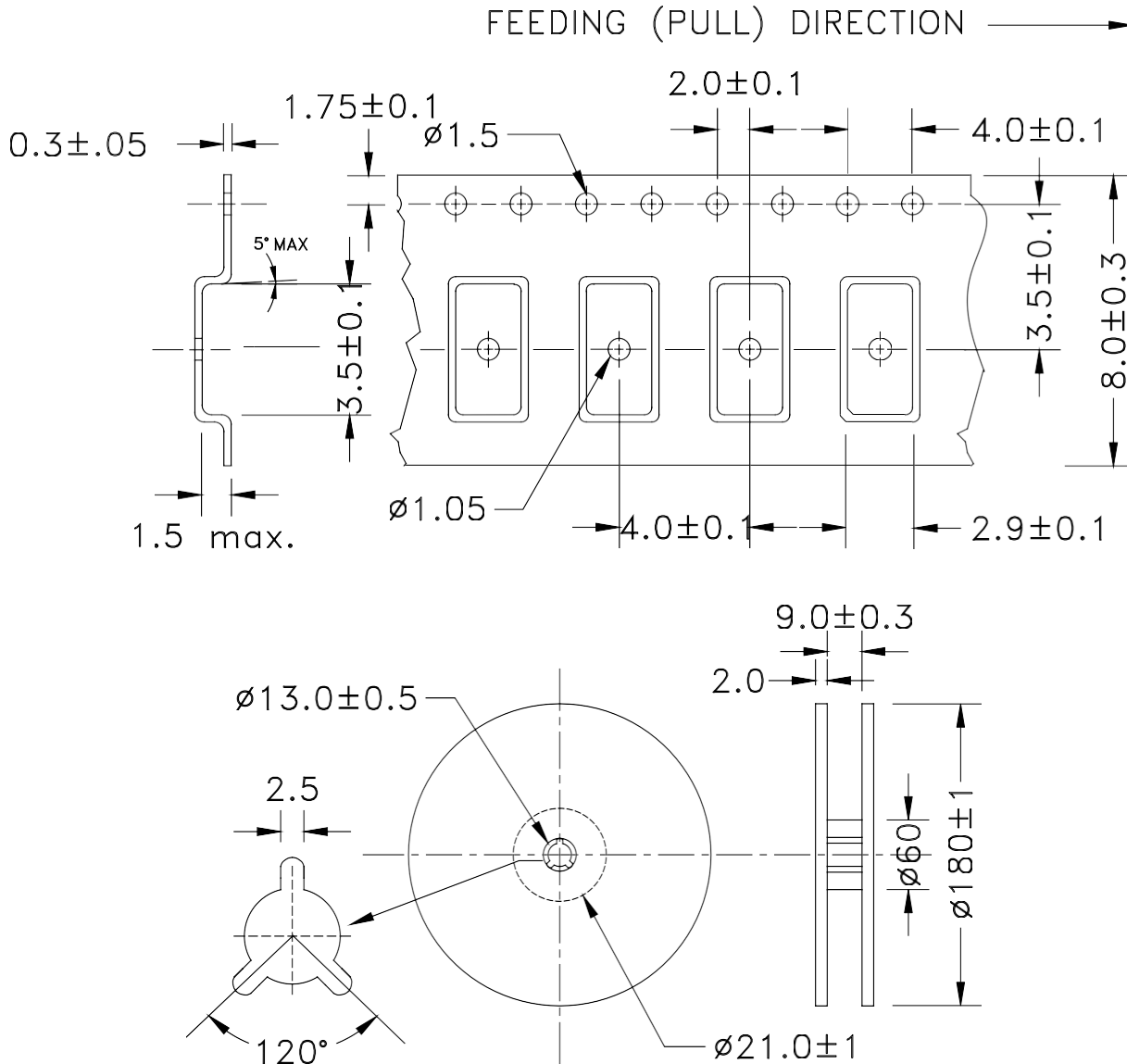
Note: Due to material availability, the chamfer could be located on pin #1, 3, or 4. Be advised that the chamfer location has no impact on the electrical performance of the device.

Dimensions: mm

6.0 Reflow Profile


7.0 Packaging:

T3:Tape and Reel (3,000pcs/reel)



Dimensions: mm