

SAI-6-MHD-4P M12**Weidmüller Interface GmbH & Co. KG**

Klingenbergstraße 26

D-32758 Detmold

Germany

www.weidmueller.com



Cable gland: M25 for cables with an outer insulation diameter from 13 mm to 18 mm. The SAI distributor with M25 cable gland is suitable among others for the following cable types:

- 21 x 0,50 mm
- 18 x 0,75 mm bis 21 x 0,75 mm
- 14 x 100 mm bis 20 x 100 mm
- 8 x 1,50 mm bis 16 x 1,50 mm

General ordering data

Version	Hood version with M25 outlet, M12, 30 V, A-coded, LED: Yes, LED initiator: Yes, Wiring type: PNP
Order No.	1705933000
Type	SAI-6-MHD-4P M12
GTIN (EAN)	4032248184545
Qty.	1 pc(s).
Delivery status	Discontinued
Available until	2019-07-01

Creation date March 11, 2024 6:48:20 PM CET

SAI-6-MHD-4P M12

Weidmüller Interface GmbH & Co. KG
 Klingenbergstraße 26
 D-32758 Detmold
 Germany

www.weidmueller.com

Technical data

Dimensions and weights

Height	55 mm	Height (inches)	2.165 inch
Width	60 mm	Width (inches)	2.362 inch
Length	127 mm	Length (inches)	5 inch
Net weight	533 g		

Temperatures

Operating temperature	-20 - 90
-----------------------	----------

Connection data

Conductor O.D., min.	14 mm	Conductor O.D., max.	18 mm
Cable glands	M 25	Clamping range, min.	0.08 mm ²
Clamping range, max.	1.5 mm ²	Storage space	gross
Distributor outlet	Hood version with M25 outlet	Connection type PE	Screw connection

Electrical data

Rated voltage, min.	10 V	Rated voltage, max.	30 V
Test voltage	1 kV	Max. current-carrying capacity per slot	4 A
Total current	10 A	Current per signal	2 A
Electrical isolation available	Yes	Insulation strength	10 ⁹ Ω

General technical data

Plug-in station coding	A-coded	Number of poles	4
Number of contact sockets	6	Connection thread	M12
Pollution severity	3	Fire behaviour	V-0
Plugging cycles	≤ 50	LED	Yes
LED initiator	Yes	LED colour for indicating operation	green
LED colour for I/O function	yellow		

Material data

Housing main material	Pocan (base module), Zinc diecast (hood)	Material of distributor	metal
Housing colour	silver	Hood sealing material	Polyurethane foamed
Screw socket	Nickel-plated CuZn	Contact material	CuZn
Contact surface	Gold-plated	Contact carrier material	PBT (UL 94 V0)

Technical data cable

Conductor O.D., max.	18 mm	Conductor O.D., min.	14 mm
Number of poles	4		

Classifications

ETIM 6.0	EC002585	ETIM 7.0	EC003558
ETIM 8.0	EC003558	ETIM 9.0	EC003558
ECLASS 9.0	27-44-01-08	ECLASS 9.1	27-44-01-08
ECLASS 10.0	27-44-01-11	ECLASS 11.0	27-44-01-11
ECLASS 12.0	27-44-01-11	ECLASS 13.0	27-44-01-11

SAI-6-MHD-4P M12

Weidmüller Interface GmbH & Co. KG
Klingenbergstraße 26
D-32758 Detmold
Germany

www.weidmueller.com

Technical data

Environmental Product Compliance

REACH SVHC Lead 7439-92-1

Approvals

ROHS Conform

Downloads

Catalogues [Catalogues in PDF-format](#)
Brochures [FL FIELDWIRING EN](#)
[FL FIELDWIRING EN](#)

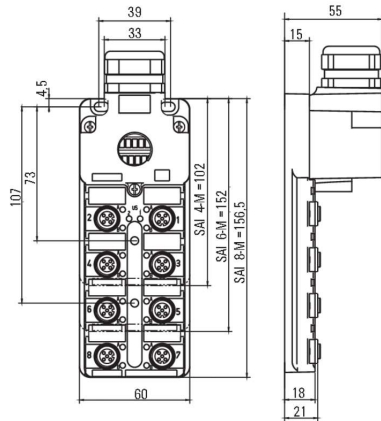
SAI-6-MHD-4P M12

Weidmüller Interface GmbH & Co. KG
Klingenbergstraße 26
D-32758 Detmold
Germany

Drawings

www.weidmueller.com

Dimensioned drawing



Wiring diagram

