

2J2424H

CELLULAR/LTE Wall Mount

Key Features

Cable 1: CELLULAR / LTE

- 698-960 MHz
- 1710-2170 MHz
- 2500-2700 MHz

Wall Mount

High Performance

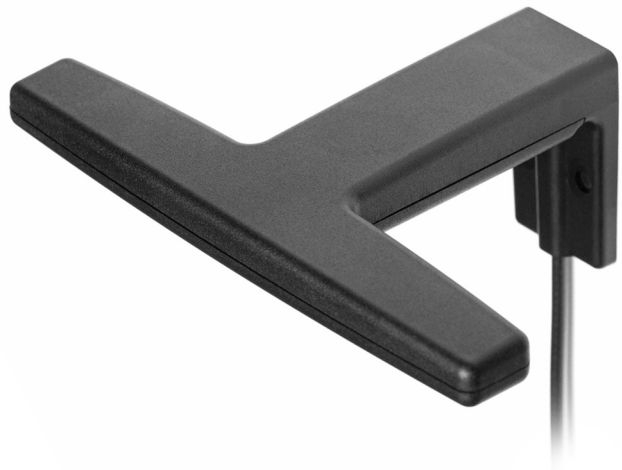
Compact Size

Ground Plane Independent

Customizable Cable and Connector

Dimensions 123 × 81 × 45 mm

Certificates: IP67, IP69



1. Antenna and electrical specifications

Cable 1

Parameters	CELLULAR / LTE Antenna		
Standards	2G,3G and 4G		
Band (MHz)	700/850/900	1700/1800/1900/2100	2600
Frequency (MHz)	698-960	1710-2170	2500-2700
Return Loss (dB)	~-9.6	~-10.9	~-6.9
VSWR	~2.7:1	~2.1:1	~2.7:1
Efficiency (%)	~61.5	~64.9	~51.8
Peak Gain (dBi)	~1.6	~3.1	~2.6
Average Gain (dB)	~-2.3	~-1.9	~-2.9
Impedance (Ohm)	50		
Polarisation	Linear		
Radiation Pattern	Omni-Directional		
Max. Input Power (W)	25		
Connector Type	SMA-Male Standard (Other Connectors Available)		
Cable Length	300 cm Standard (Any Cable Length Available)		
Cable Type	LL100 Standard (Other Cables Available)		

Antenna Measurement Conditions:

Free Space

100 cm LL100

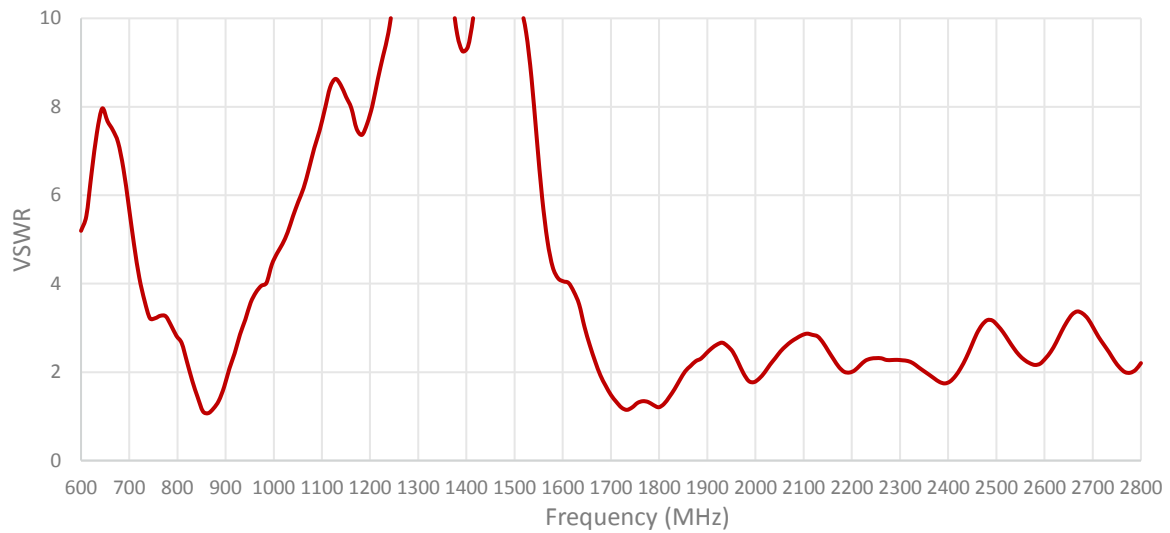
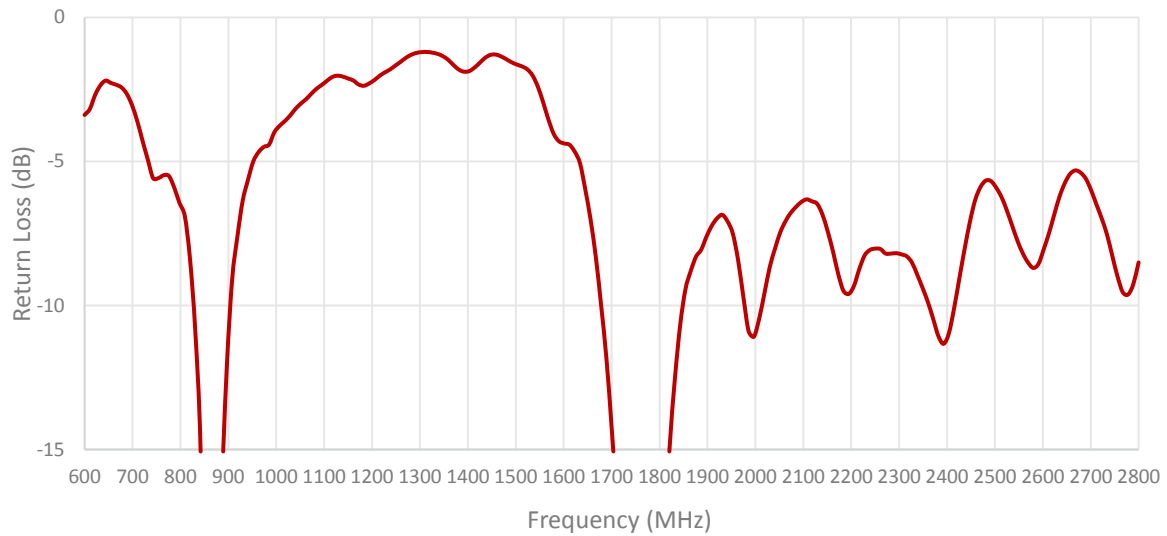
Measured in Certified CTIA 3D Anechoic Chamber

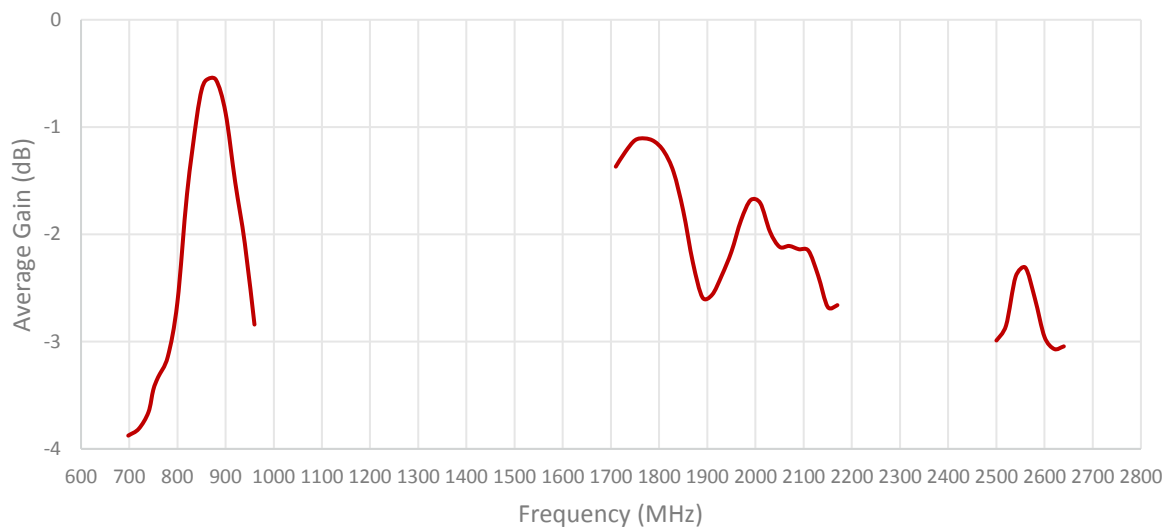
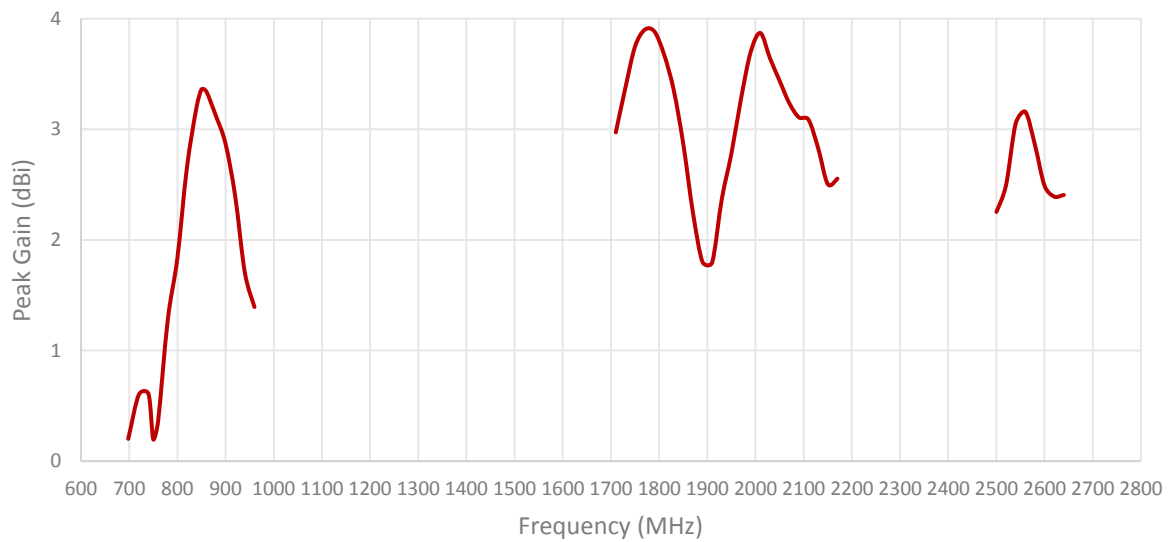
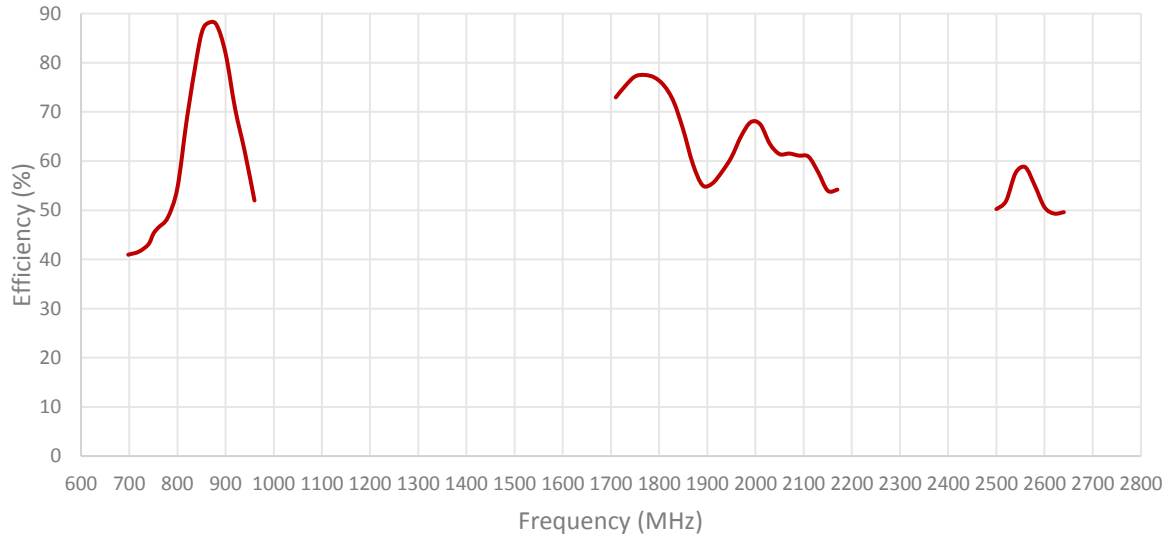
2. Mechanical and environmental specifications

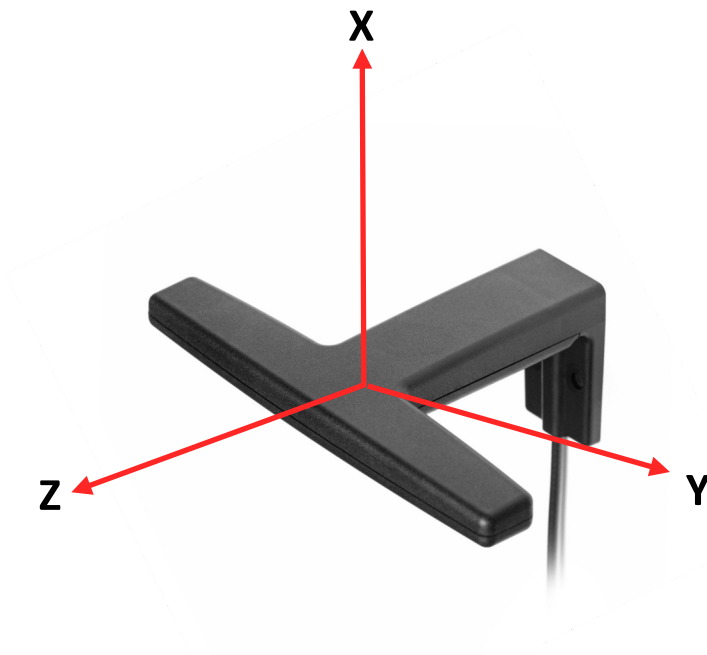
Specifications	2J2424H
Mounting Type	Wall Mount
Dimensions (mm)	123 × 81 × 45
Fixings	2× M4 (Not included)
Radome Type	ASA
Radome Color	Black, White
Operating Temperature (C)	-40 to +85
Storage Temperature (C)	-40 to +85
Substance Compliance	RoHS
Certificates	IP67, IP69

3. Antenna parameters

Cable 1: CELLULAR/LTE

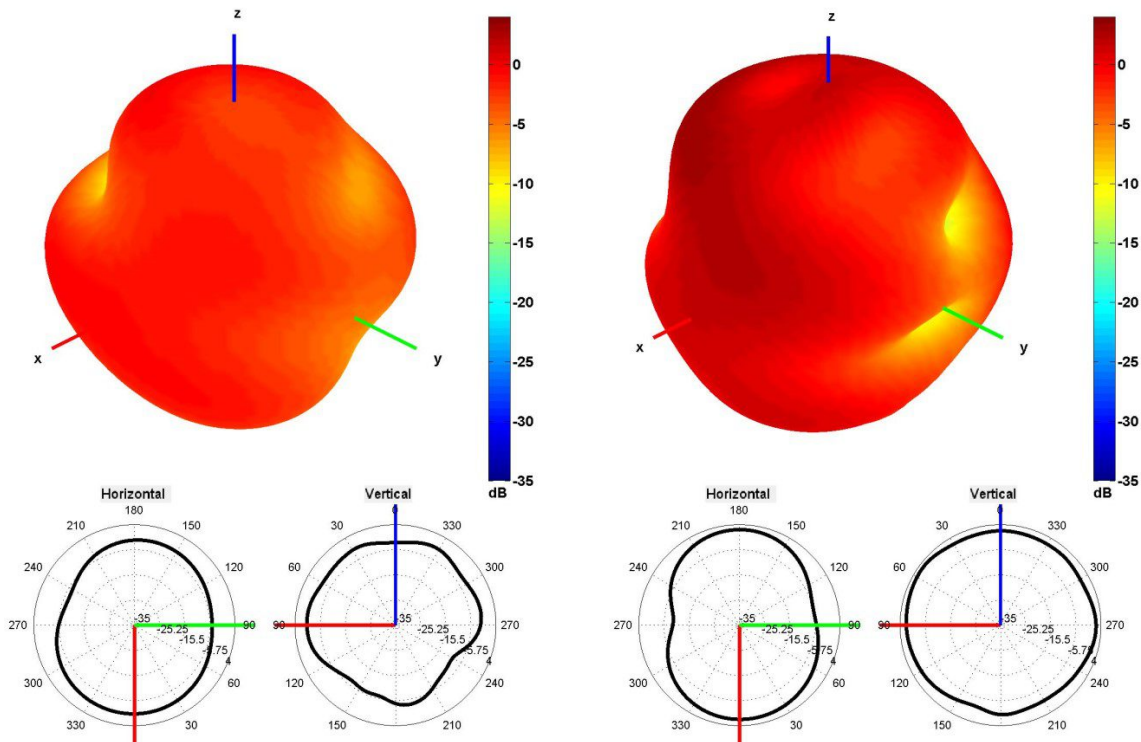




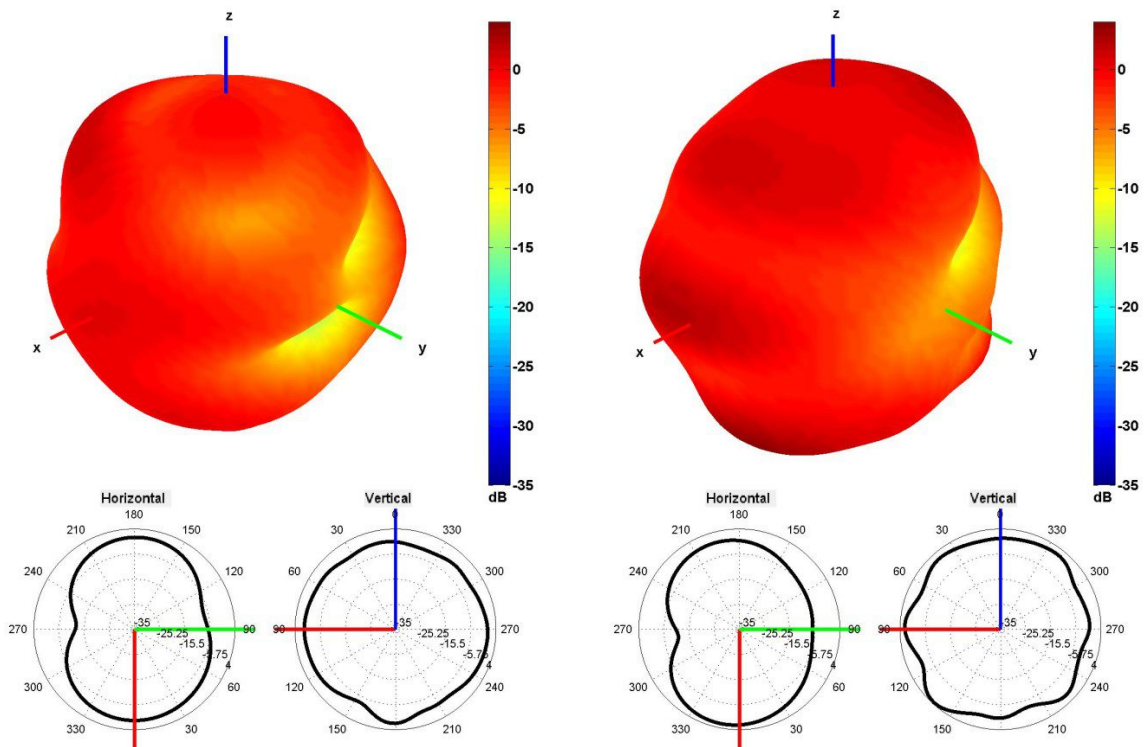


Radiation pattern reference

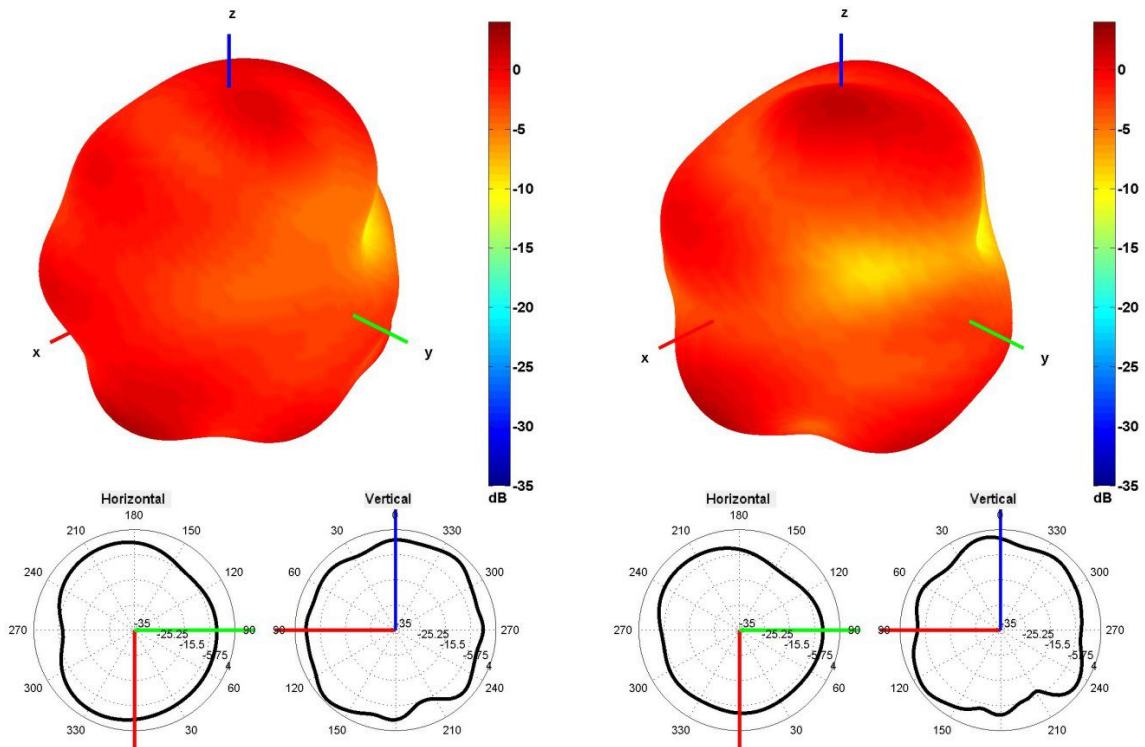
Cable 1: CELLULAR/LTE



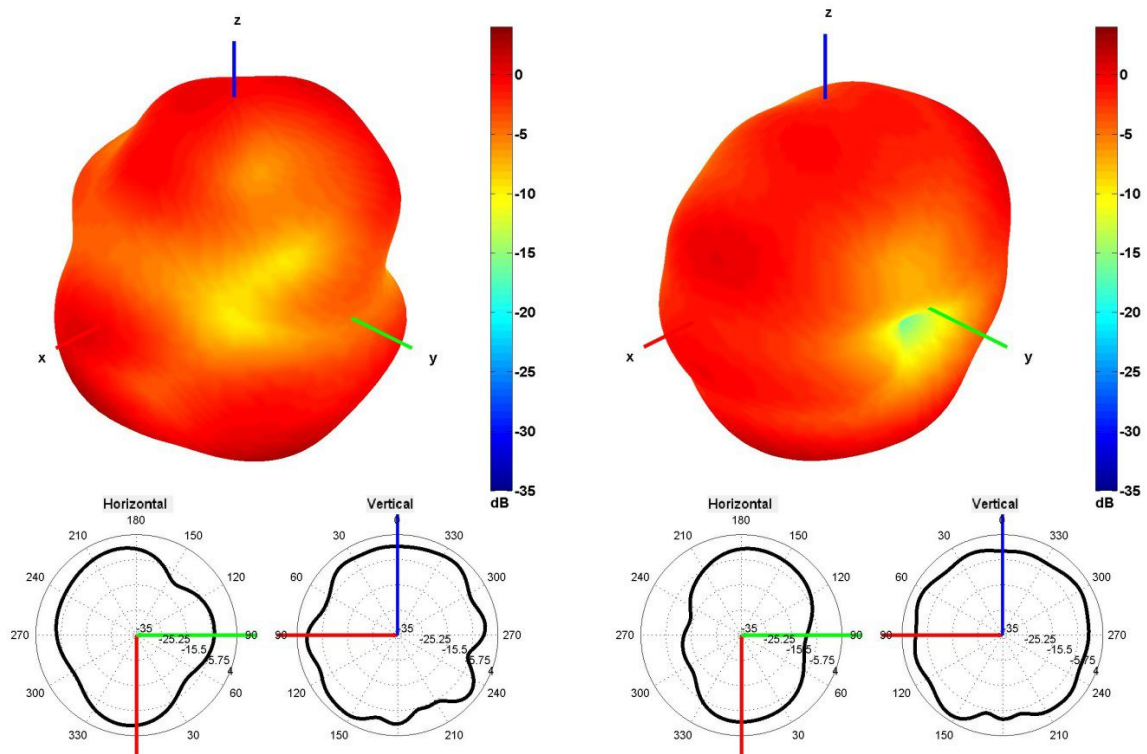
750 and 850 MHz Radiation pattern



940 and 1750 MHz Radiation pattern

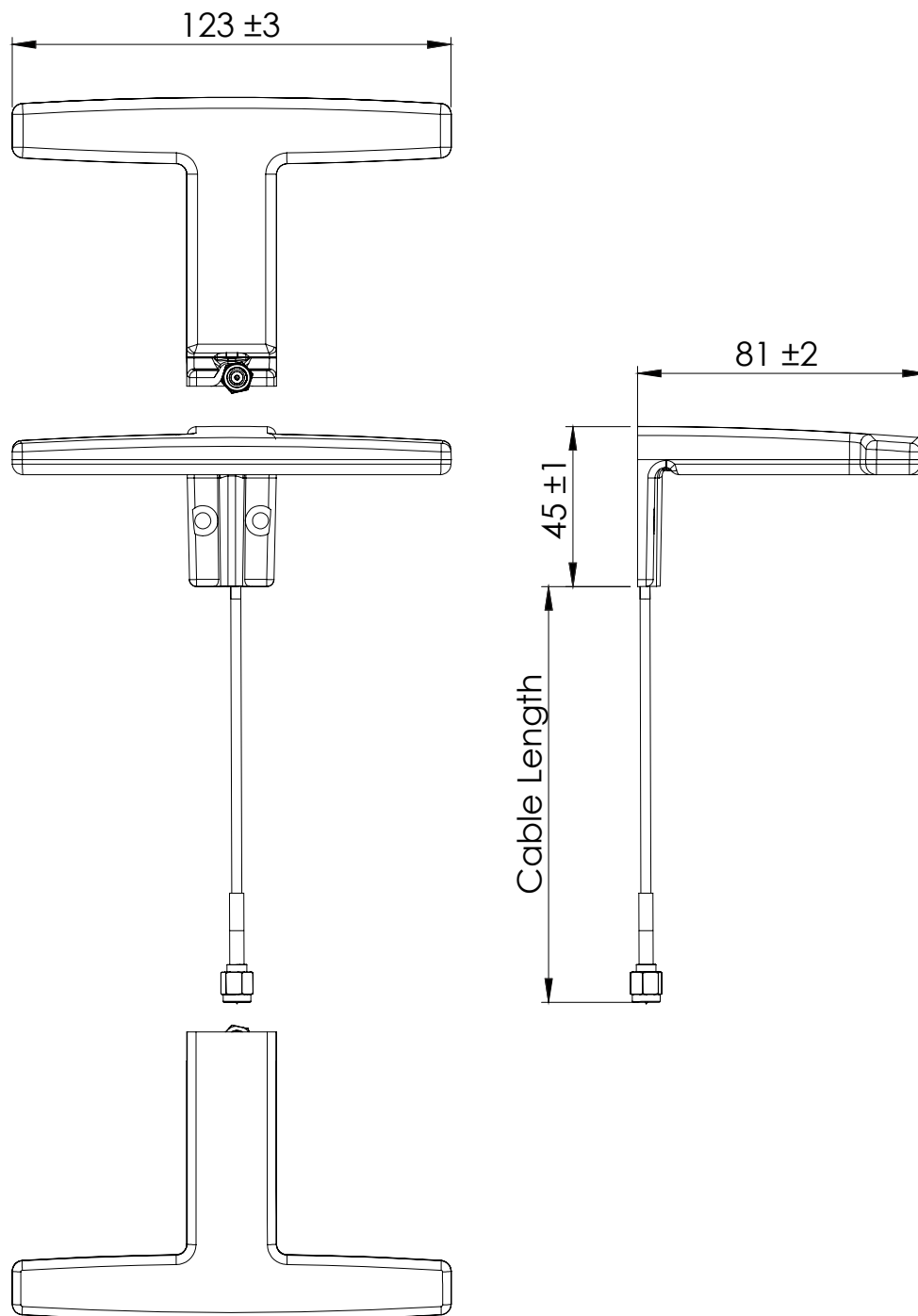


1850 and 1950 MHz Radiation pattern



2100 and 2600 MHz Radiation pattern

4. Antenna drawings



Note: Dimensions are in millimeters

5. Antenna Images

