



QLSP30YK
PLCC sideview
Yellow



Product Outline:

This high output reflector type PLCC sideview LEDs are available in Red, Yellow, Green, and Blue to suit customer's application. With special binning technology, these LEDs are ideal for architecture lighting and special lighting needs.

Features:

- High brightness output @ 60mA
- Package Dimension = 4.0mmX4.0mmX3.55mm
- Available in Red, Yellow, Green, and Blue
- RoHS compliant
- MSL level =2
- PLCC sideview
- Custom Bin available upon special request
- Using Hard Silicon for sealant

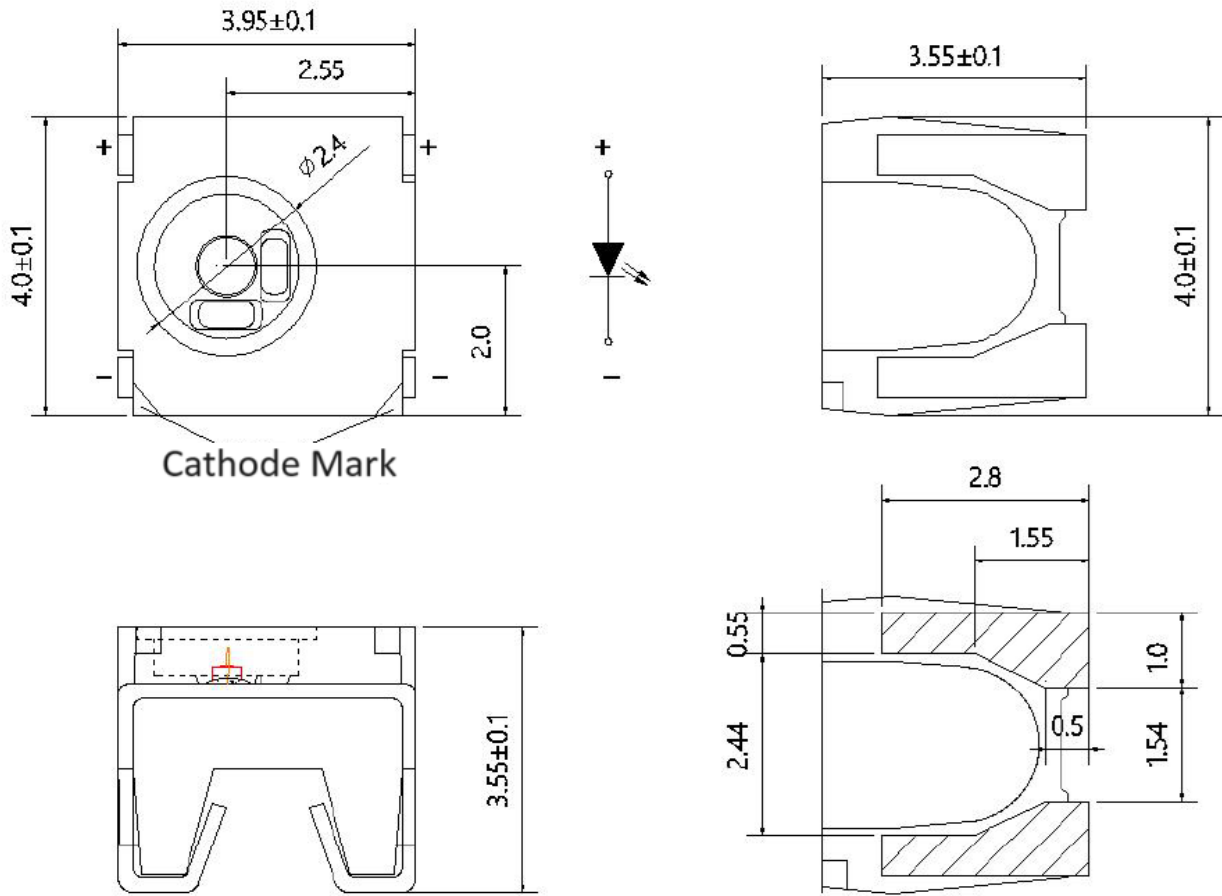
Application:

- Architecture Lighting
- Garden Lighting
- Interior Lighting

Compliance and Certification:



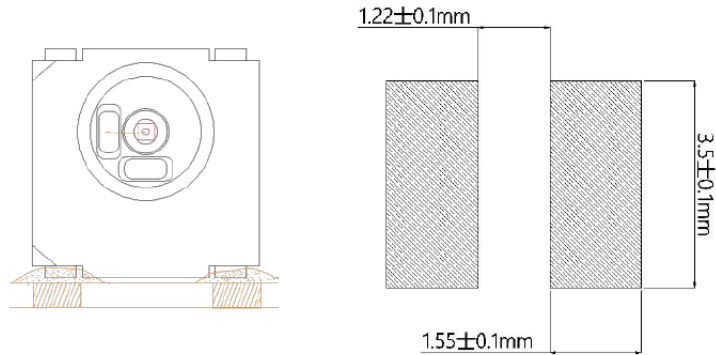
Mechanical Property:
(Dimension in: mm)



Tolerance: ± 0.1 mm



Recommended Solder footprint:



Electrical / Optical Characteristic

(T=25 °C)

Product	Color	I _F (mA)	V _F (V)		Color	Viewing angle	Brightness(lm)	
			Typ.	max			min	typ.
QLSP30YK	Yellow	60	2.2	2.4	590nm	120 °	8.0	15.0

Absolute Maximum Rating

(T=25 °C)

Part #	P _d (mW)	I _F (mA)	I _{FP} (mA)*	V _R (V)	T _{OP} (°C)	T _{ST} (°C)	T _{SOL} (°C)**
Yellow	200	60	120	5	-30 – 85	-40 - 85	260

*Duty 1/10 @ 10Khz

** IR Reflow for no more than 5 sec @ 260 °C peak



Brightness Bin

QCH	8-18 lm	If=60mA

Vf Bin

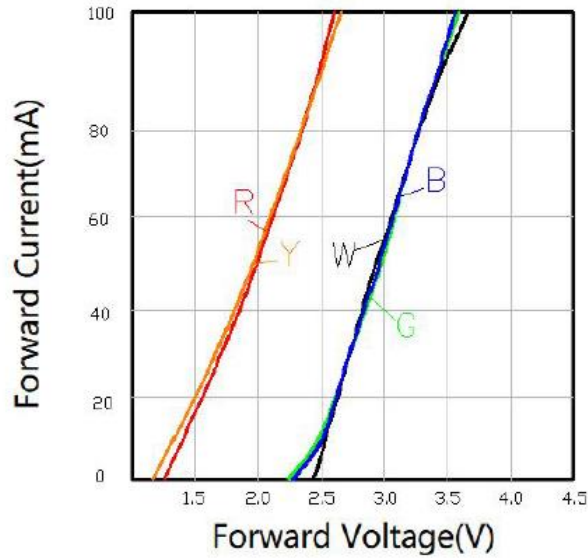
RS	2.0 – 2.2	V
TU	2.2 – 2.4	V

Color Bin

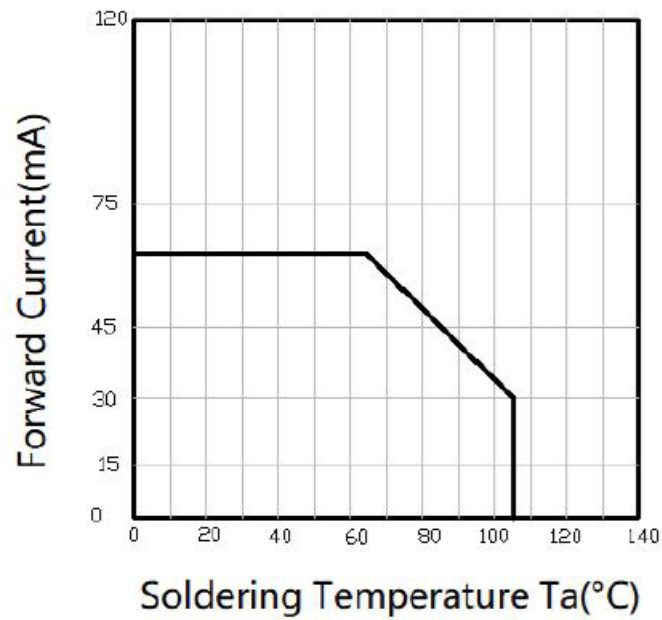
A1	588 – 591	nm
A2	591 – 594	nm



Characteristic Curves

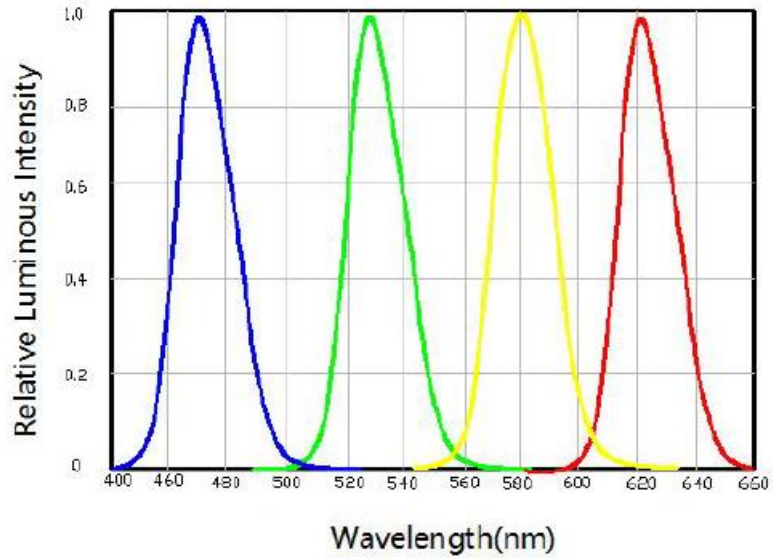


Forward Voltage vs. Forward Current

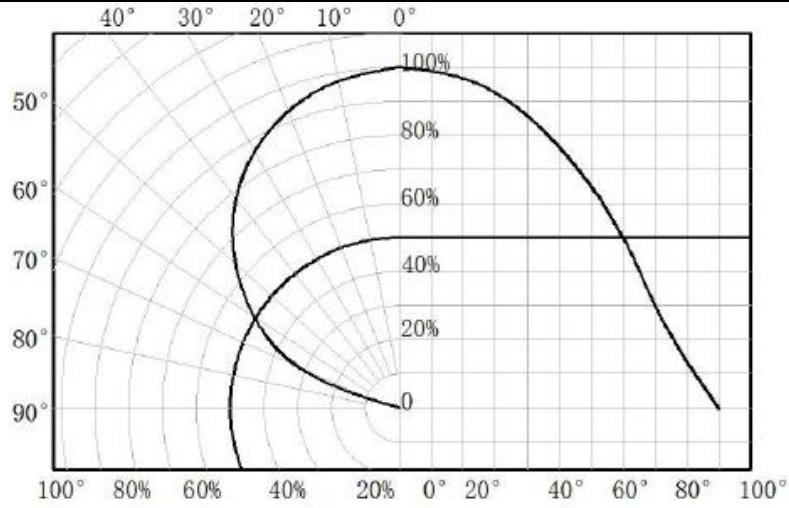


Forward current vs. Soldering Temp



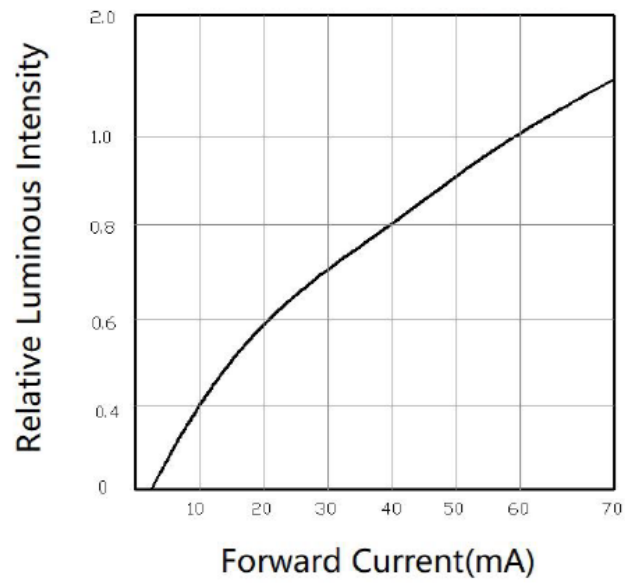


Radiation Pattern

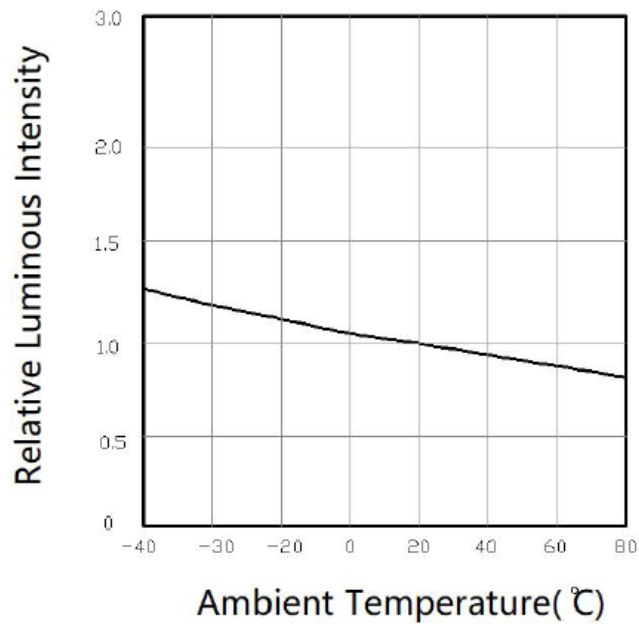


Spectrum Distribution





Forward current vs Luminous intensity (If = 60mA)

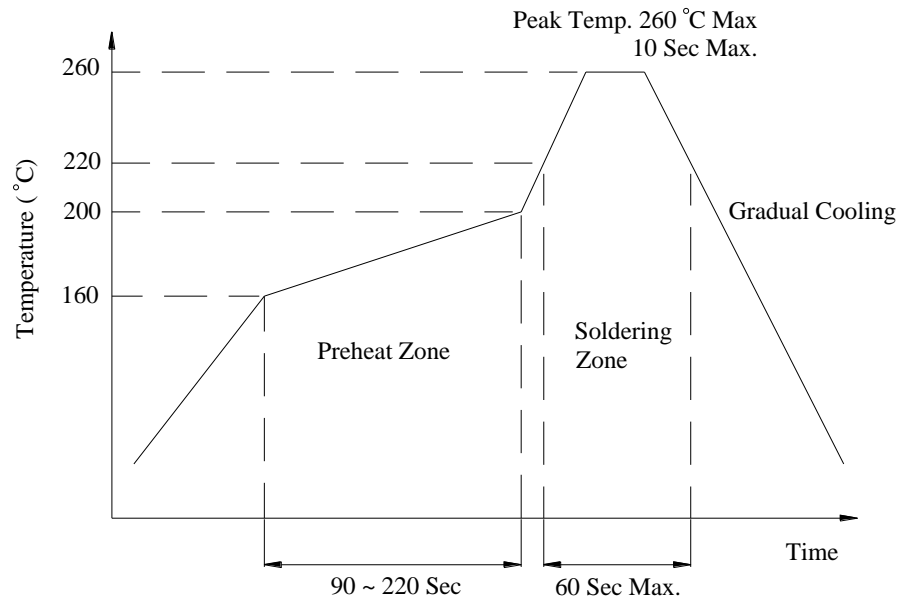


Relative Luminous Intensity vs Ambient Temperature

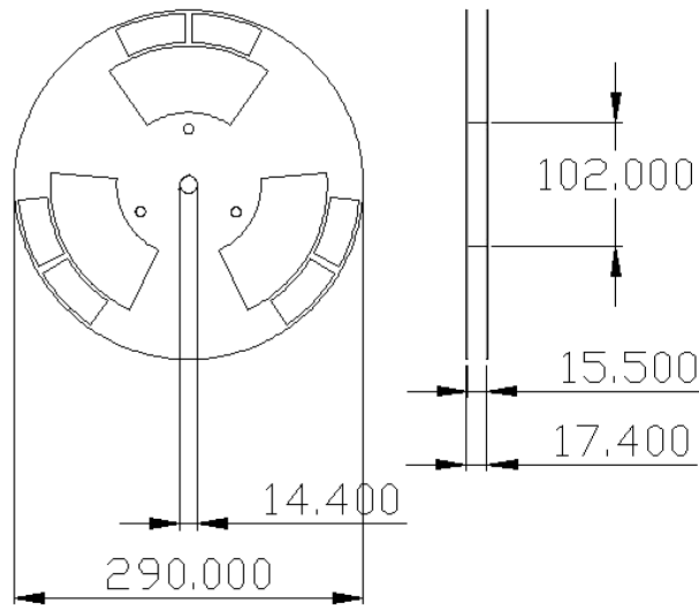
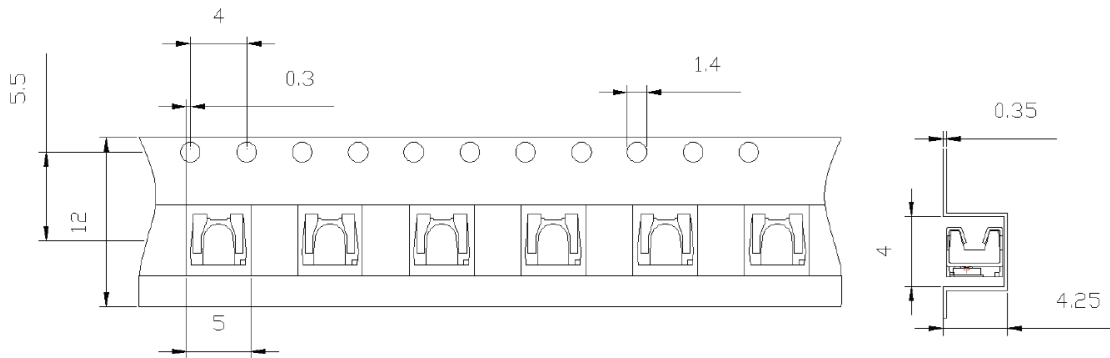


Solder Profile:

-The recommended reflow soldering profile is as follows (temperatures indicated are as measured on the surface of the LED resin):



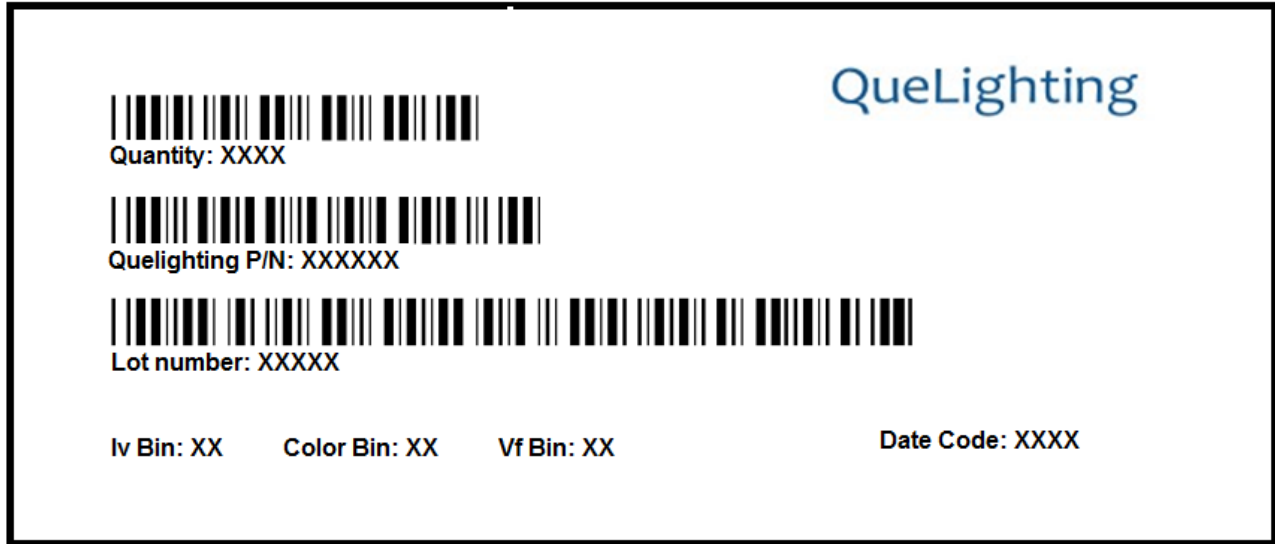
Taping & Packing



Unit : mm



Labeling



Ordering Information:

Part #	Multiple Quantities	Quantity per Reel
QLSP30YK		1000 pcs



Revision History:

Revision Date:	Changes:	Version #:
10-6-2020	Initial release	1.0

