



QLSP30RK  
PLCC sideview  
Red



## Product Outline:

This high output reflector type PLCC sideview LEDs are available in Red, Yellow, Green, and Blue to suit customer's application. With special binning technology, these LEDs are ideal for architecture lighting and special lighting needs.

## Features:

- High brightness output @ 60mA
- Package Dimension = 4.0mmX4.0mmX3.55mm
- Available in Red, Yellow, Green, and Blue
- RoHS compliant
- MSL level =2
- PLCC sideview
- Custom Bin available upon special request
- Using Hard Silicon for sealant

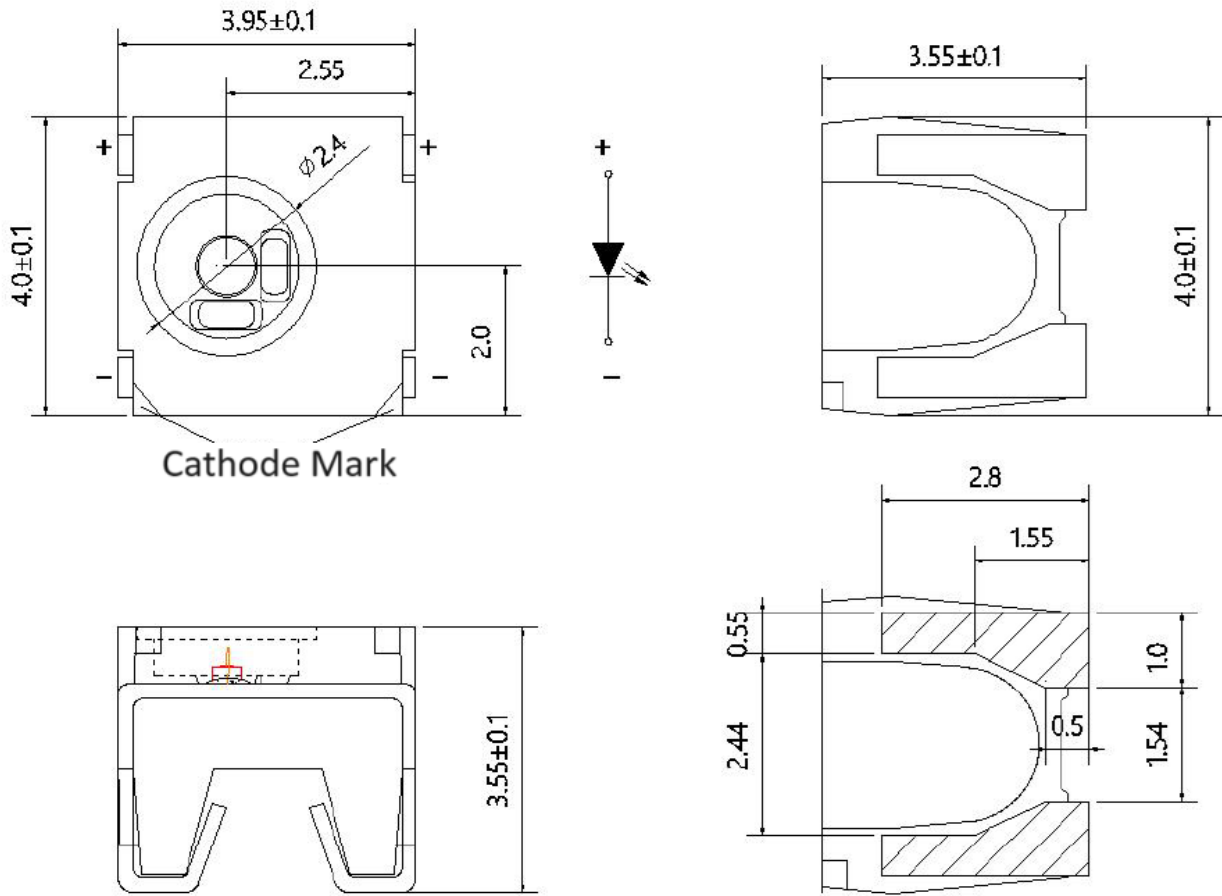
## Application:

- Architecture Lighting
- Garden Lighting
- Interior Lighting

## Compliance and Certification:



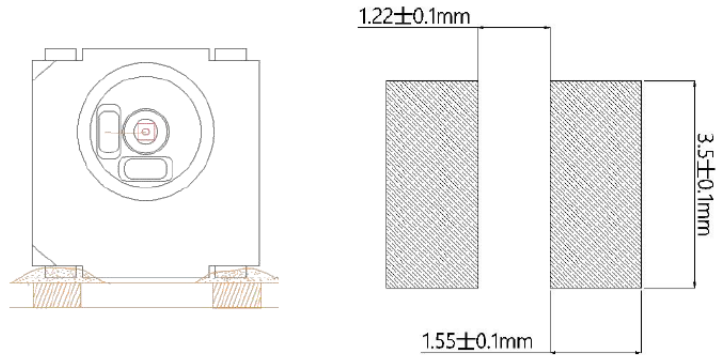
**Mechanical Property:**  
(Dimension in: mm)



Tolerance:  $\pm 0.1$  mm



## Recommended Solder footprint:



## Electrical / Optical Characteristic

(T=25 °C)

Product	Color	I <sub>F</sub> (mA)	V <sub>F</sub> (V)		Color	Viewing angle	Brightness(lm)	
			Typ.	max			min	typ.
QLSP30RK	Red	60	2.2	2.4	625nm	120 °	8.0	12.0

## Absolute Maximum Rating

(T=25 °C)

Part #	P <sub>d</sub> (mW)	I <sub>F</sub> (mA)	I <sub>FP</sub> (mA)*	V <sub>R</sub> (V)	T <sub>OP</sub> (°C)	T <sub>ST</sub> (°C)	T <sub>SOL</sub> (°C)**
Red	200	60	120	5	-30 – 85	-40 - 85	260

\*Duty 1/10 @ 10Khz

\*\* IR Reflow for no more than 5 sec @ 260 °C peak



### Brightness Bin

QCG2	8-15 lm	If=60mA

### Vf Bin

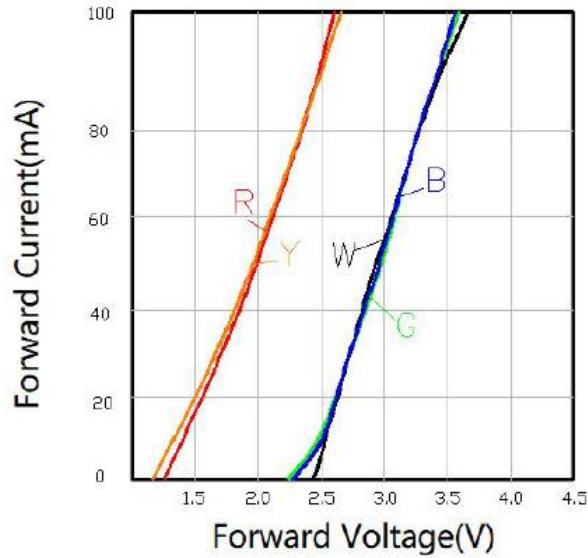
RS	2.0 – 2.2	V
TU	2.2 – 2.4	V

### Color Bin

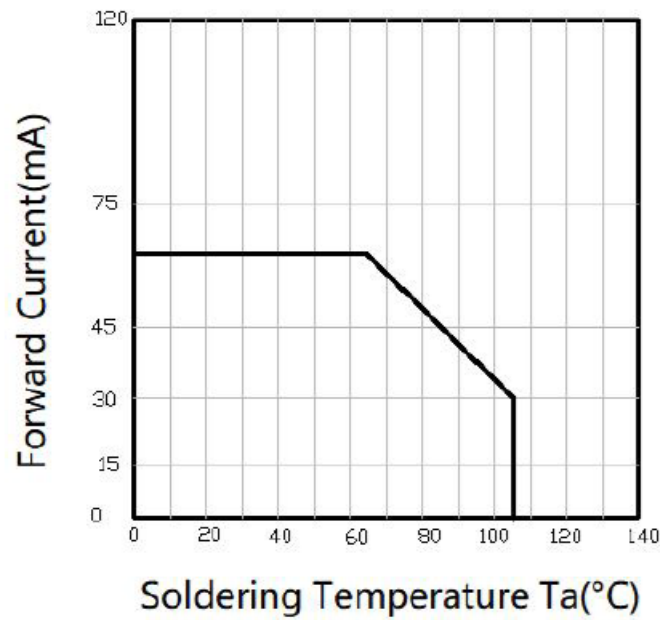
A8	620 - 625	nm
A9	625 – 630	nm



## Characteristic Curves

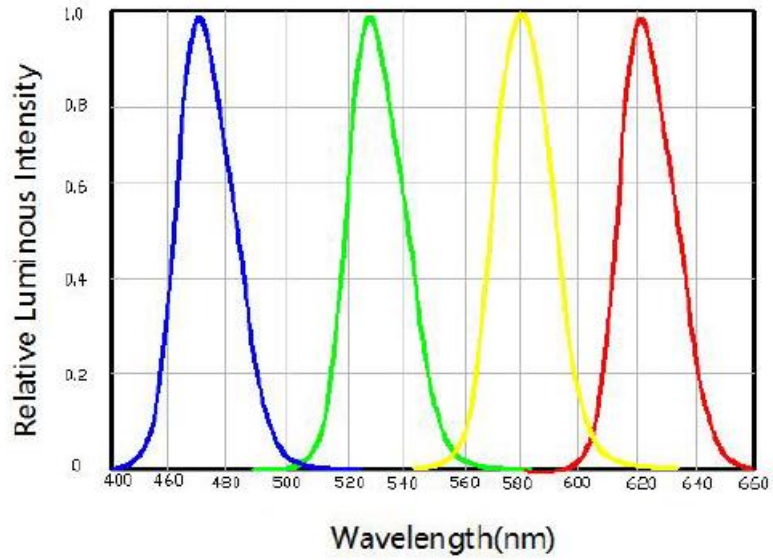


Forward Voltage vs. Forward Current

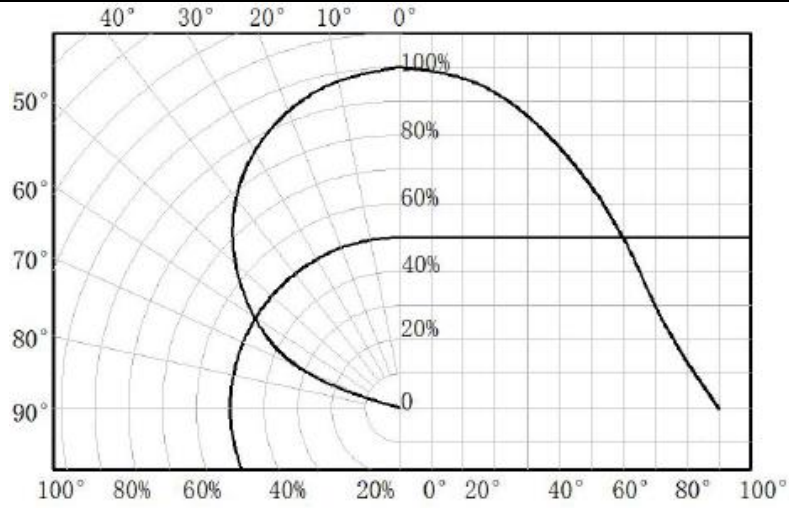


Forward current vs. Soldering Temp



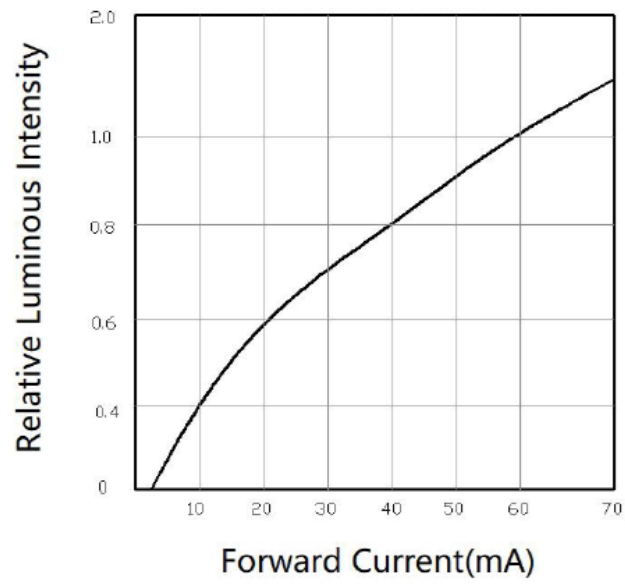


Radiation Pattern

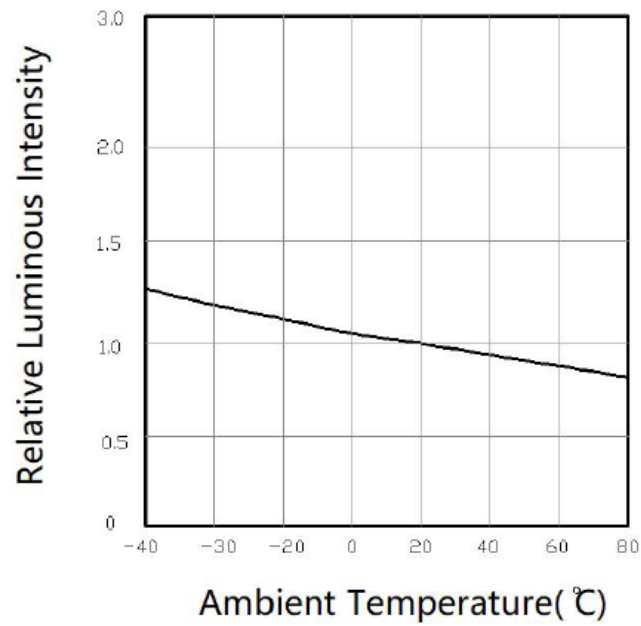


Spectrum Distribution





Forward current vs Luminous intensity (If = 60mA)



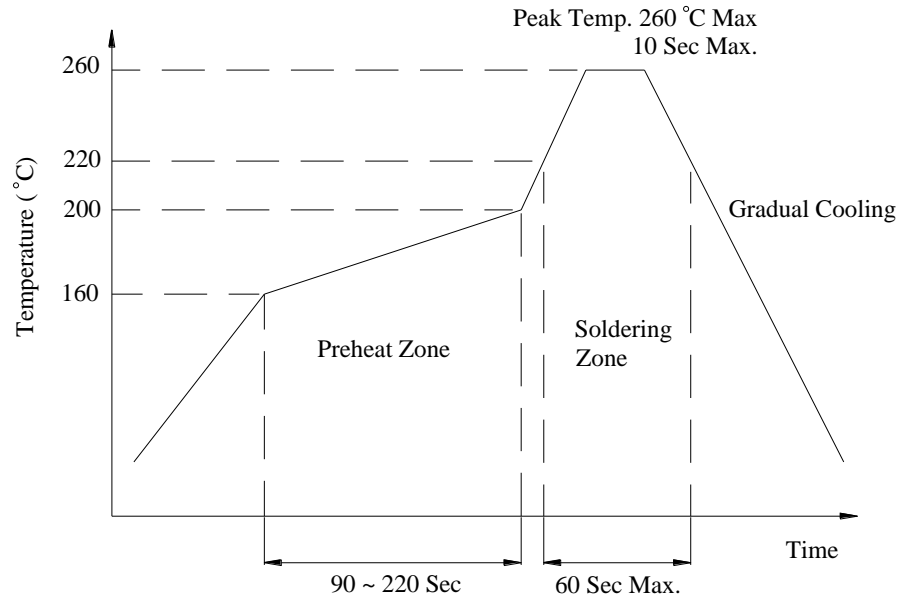
Relative Luminous Intensity vs Ambient Temperature



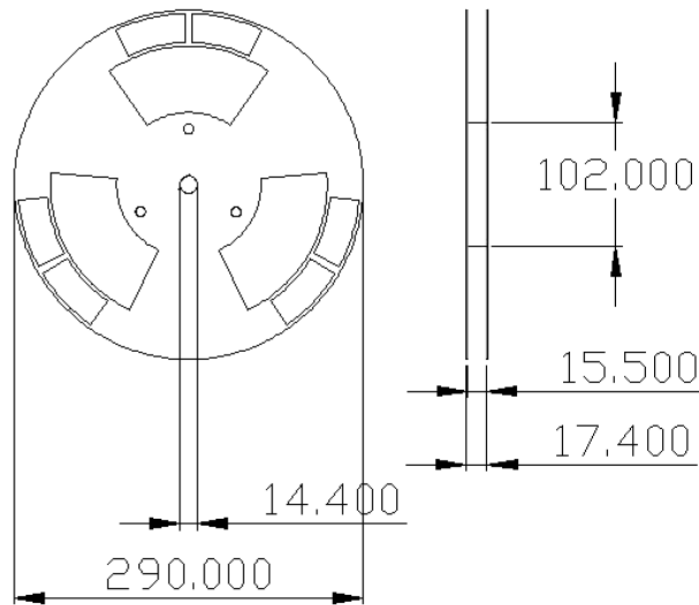
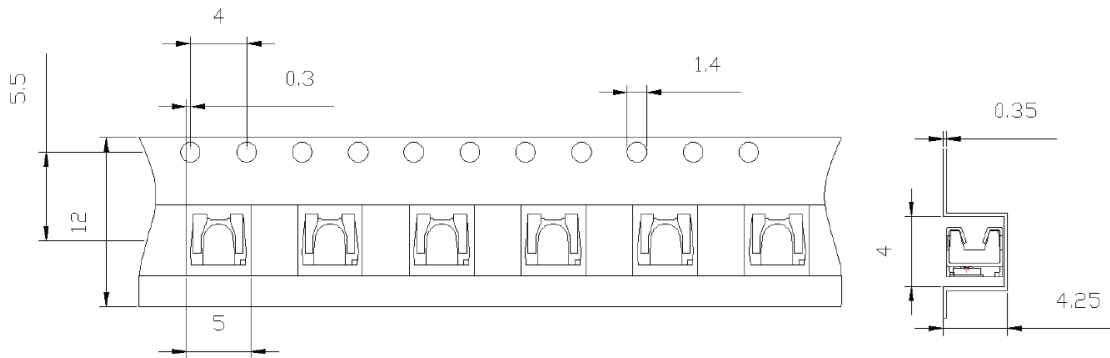


## Solder Profile:

-The recommended reflow soldering profile is as follows (temperatures indicated are as measured on the surface of the LED resin):




## Taping & Packing




Unit : mm




## Labeling




Quantity: XXXX



Quelighting P/N: XXXXXX



Lot number: XXXXX



Iv Bin: XX
Color Bin: XX
Vf Bin: XX
Date Code: XXXX

## Ordering Information:

Part #	Multiple Quantities	Quantity per Reel
QLSP30RK		1000 pcs



**Revision History:**

<b>Revision Date:</b>	<b>Changes:</b>	<b>Version #:</b>
10-6-2020	Initial release	1.0

