

## General Specifications

Motor Protection: Auto Restart/Polarity Protection  
 Insulation Resistance: 10M Ohm or over with a DC500V Megger  
 Dielectric Withstand Voltage: AC 700V 1st  
 Allowable Ambient Temperature Range:  
 -10 degree C ~ +60 degree C (Operating)  
 -40 degree C ~ +70 degree C (Storage)  
 (non-condensing environment)

## Material

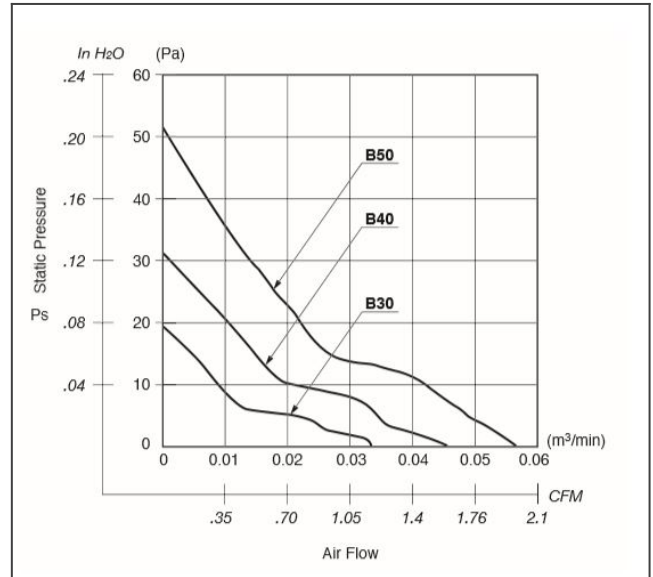
Casing: Plastic (Black) 94V-0  
 Impeller: Plastic (Black) 94V-0  
 Bearing: Ball Bearing  
 Lead Wire: UL1061, AWG26, +Red, -Black

**order part 1004KL-04W-B59-B00 Ball Bearing Fan DC Fans**

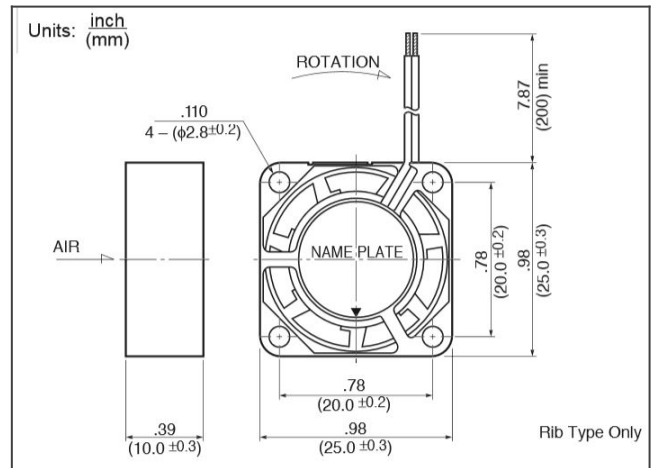
DC Fans



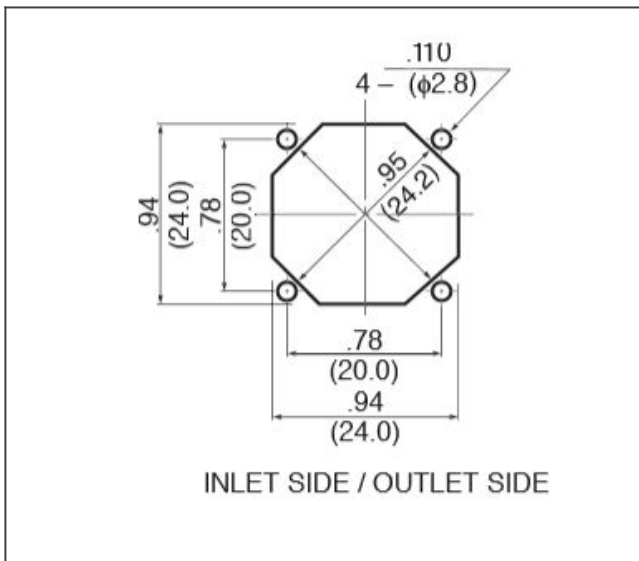
### 1004KL characteristic curve



### 1004KL product drawing



### 1004KL panel cut out



## Detailed Specifications

<b>DC Fan:</b>	Ball Bearing Fan
<b>Nominal Voltage:</b>	12[V]
<b>Operating Voltage Lower:</b>	8[V]
<b>Operating Voltage Upper:</b>	13.8[V]
<b>Current:</b>	0.06[A]
<b>Input Power:</b>	0.72[W]
<b>Speed:</b>	11000[ $\text{min}^{-1}$ ]
<b>Max. Air Flow:</b>	0.057[ $\text{m}^3/\text{min}$ ]
<b>Max. Air Flow:</b>	2[CFM]
<b>Max. Static Pressure:</b>	50.6[Pa]
<b>Max. Static Pressure:</b>	20[In H <sub>2</sub> O]
<b>Noise:</b>	25[dB]
<b>Mass:</b>	7.5[g]
<b>Fan Size:</b>	25[mm]
<b>Fan Width:</b>	10[mm]