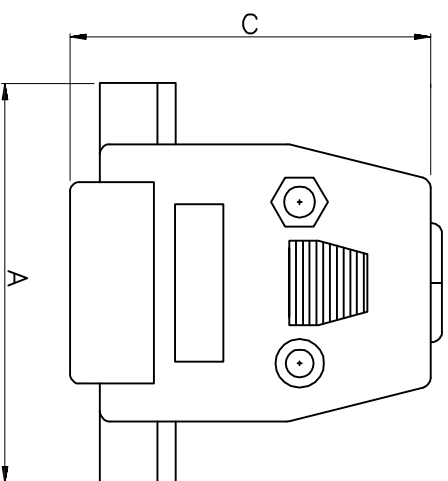
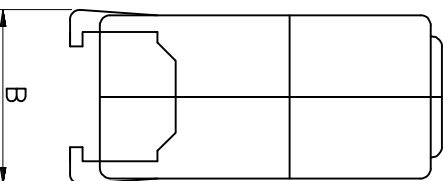
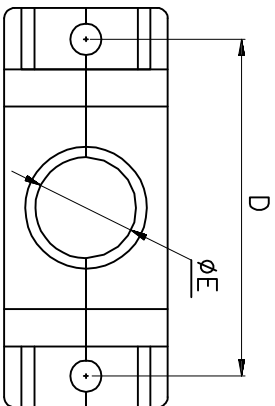
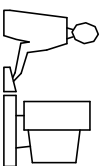


THIS IS A C.A.D. GENERATED DRAWING
DO NOT MAKE MANUAL REVISIONS TO MASTER.

BACKSHELL KIT INCLUDES:

- (2)BACKSHELL HALVES
- (2)HOUSING SCREWS
- (2)MATING SCREWS
- (2)CRIMP SCREWS
- (2)NUT
- (2)CRIMP
- (2)WASHER



* UNLESS OTHERWISE SPECIFIED TOLERANCES
ON DECIMAL IS: ANGLE ±5°
UNIT: MM

SIZE	DIMENSIONS(mm/in)				
	A _{±0.3 ±0.012}	B _{±0.3 ±0.012}	C _{±0.3 ±0.012}	D _{±0.3 ±0.012}	E _{±0.3 ±0.012}
9	31.0	16.3	40.3	25.00	7.0
	1.221	0.642	1.587	0.984	0.276
15	39.6	17.6	35.8	33.3	10.0
	1.559	0.693	1.410	1.311	0.394
25	53.6	16.5	42.2	46.8	11.0
	2.110	0.650	1.661	1.843	0.433
37	69.3	20.0	51.0	63.5	13.8
	2.729	0.788	2.008	2.500	0.543

BACKSHELL:
FINISHED:
SCREW:
NUT:
CRIMP:
WASHER:
BACKSHELL

ABS UL94HB
CHROMATE PLATED
STEEL, NICKEL PLATED
STEEL, NICKEL PLATED
STEEL, NICKEL PLATED
STEEL, NICKEL PLATED
MP=METALIZED

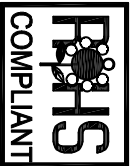
COLOUR :

THESE DRAWINGS AND SPECIFICATIONS ARE THE
PROPERTY OF MH CONNECTORS AND SHALL NOT BE
REPRODUCED, COPIED OR USED AS THE BASIS FOR
THE MANUFACTURE OR SALE OF APPARATUS WITHOUT
WRITTEN PERMISSION.

DRAWN	DATE
HENRY	FEB 01, 2024
APPROVED	DATE

ORDERING INFORMATION: SHORT JACKSCREWS

SIZE	P/N - KITTED	PRODUCT CODE
9-WAY	2360-0105-01	MHCCOV 9-SC-MP
15-WAY	2360-0105-02	MHCCOV15-SC-MP
25-WAY	2360-0105-03	MHCCOV25-SC-MP
37-WAY	2360-0105-04	MHCCOV37-SC-MP



THIS SERIES FULLY CONFORMS TO THE
EUROPEAN UNION DIRECTIVES 2015/863/EU
AND 2011/65/EU FOR ROHS COMPLIANCY.



MH CONNECTORS,
DIVISION OF EDAC

SCALE	SHEET OF	REV:
	1 OF 1	5.0
DRAWING No	MHC0VXXXSC-MP	

ISSUE NUMBER	①
ORIGINAL	①
9PIN NEW MOLD PART	②
UPDATE DIM	③
25PIN change 54.2 to 53.6	④
37PIN change 64.2 to 63.5	⑤
25PIN UPDATE B/C/D	⑥
37PIN UPDATE B/C/D	⑦
UPDATED 9P/A/B/C/E DIM	⑧
9P/B DIM	⑨
37P/A DIM	⑩
37P/B DIM	⑪
37P/C DIM	⑫
37P/D DIM	⑬