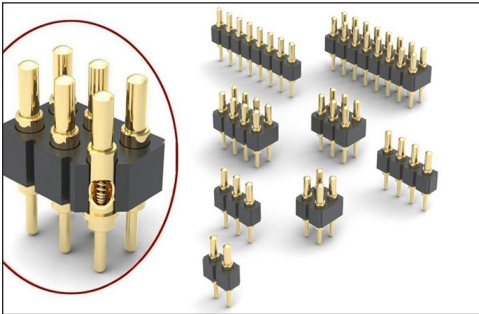


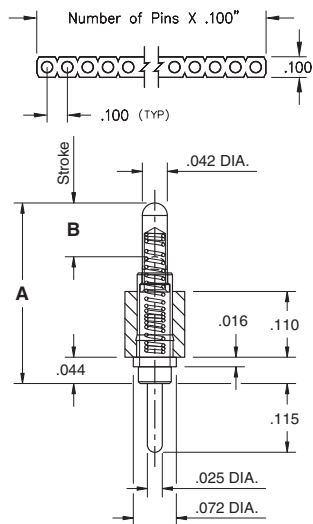
SPRING-LOADED CONNECTORS

SERIES 825 & 827 • .100" GRID THROUGH-HOLE MOUNT, LONG STROKE • SINGLE AND DOUBLE ROW STRIPS

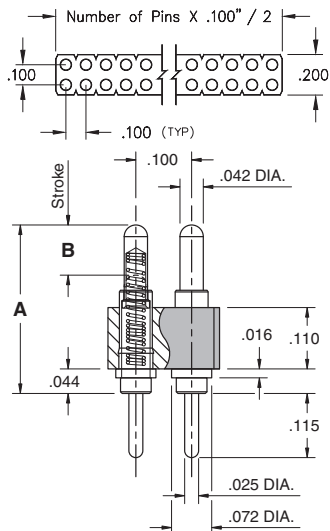


- Modular contacts for use on .100" grid, available in four heights from .302" to .392", supplied in single and double row contact strips
- Precision-machined piston / base and gold-plated components assure up to 1,000,000 cycle life durability
- Pistons have a .045" mid. stroke and a .090" max. stroke
- Low resistance, high current contacts are rated at 2 amps continuous, 3 amps peak
- High temperature thermoplastic insulators are suitable for surface mount processes
- Both 825 & 827 series contact strips are designed for manual placement into $\varnothing .038" \pm .003"$ plated through-holes in the circuit board prior to hand, wave or reflow soldering

SINGLE ROW Series 825



DOUBLE ROW Series 827



ORDERING INFORMATION

Single Row Series 825

825-22-0XX-10-00X101
 Specify number of contacts 02-64 Specify contact style 1-4

Double Row Series 827

827-22-0XX-10-00X101
 Specify number of contacts 04-72 Specify contact style 1-4

CONTACT STYLE	INITIAL HEIGHT A	MAX. STROKE B
1	.302	.090
2	.332	.090
3	.362	.090
4	.392	.090

Technical Specifications

Materials:

Contact piston & base: Machined copper alloy plated 20 μ " gold over 100 μ " nickel
 Spring: Beryllium copper-plated 10 μ " gold
 Insulator: High temperature thermoplastic, rated UL94 V-0

Mechanical:

Spring force @ initial height (A): 25 grams
 Spring force @ mid stroke (B/2): 60 grams
 Durability: Up to 1,000,000 cycles

Electrical:

Voltage rating: 100Vrms/150Vdc
 Current rating: 2A (continuous), 3A (peak) per contact
 Contact resistance: 20m Ω max.
 Insulation resistance: 10,000M Ω min.
 Dielectric strength: 700Vrms min.
 Capacitance: 1pF max.

RoHS-2
2011/65/EU

