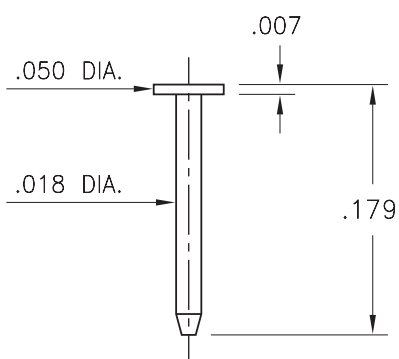


PRODUCT NUMBER: 5068-0-00-15-00-00-03-0

5068-0-00-XX-00-00-03-0
 Solder mount in .022 mounting hole



DESCRIPTION

Nail Head Pin

Current Rating:

Application Specific

Operating Temperature Range:

-55/+125° C (discontinuous)

Mounting Feature:

Through Hole Solder Mount

Tail Type: Soldertail

Mounting Hole: .022" (0,559mm)

Tail Diameter: .018" (0,457mm)

Packaging: 00 - Packaged in Bulk

Shell Plating	Contact Plating	ROHS
----------------------	------------------------	-------------

10 μ" Gold over Nickel



ADDITIONAL NOTES & SPECIFICATIONS

In the interest of improved design, quality and performance, Mill-Max reserves the right to make changes in its specifications without prior notice. Specifications and tolerances are provided wherever possible. Due to the wide variety of interconnects Mill-Max offers, the specific tolerances vary from product to product. If you need information regarding the tolerance of a particular part, please contact Technical Services.

© 2020 Mill-Max Mfg. Corp.
 190 Pine Hollow Rd , Oyster Bay, NY 11771, USA
 Phone: 516.922.6000