

Montageadapter Typ 01.109.036
M8 auf M8 Konus (SPM)

Mounting Adapter Type 01.109.036
M8 on M8 Cone (SPM)

Technische Daten / Technical Data

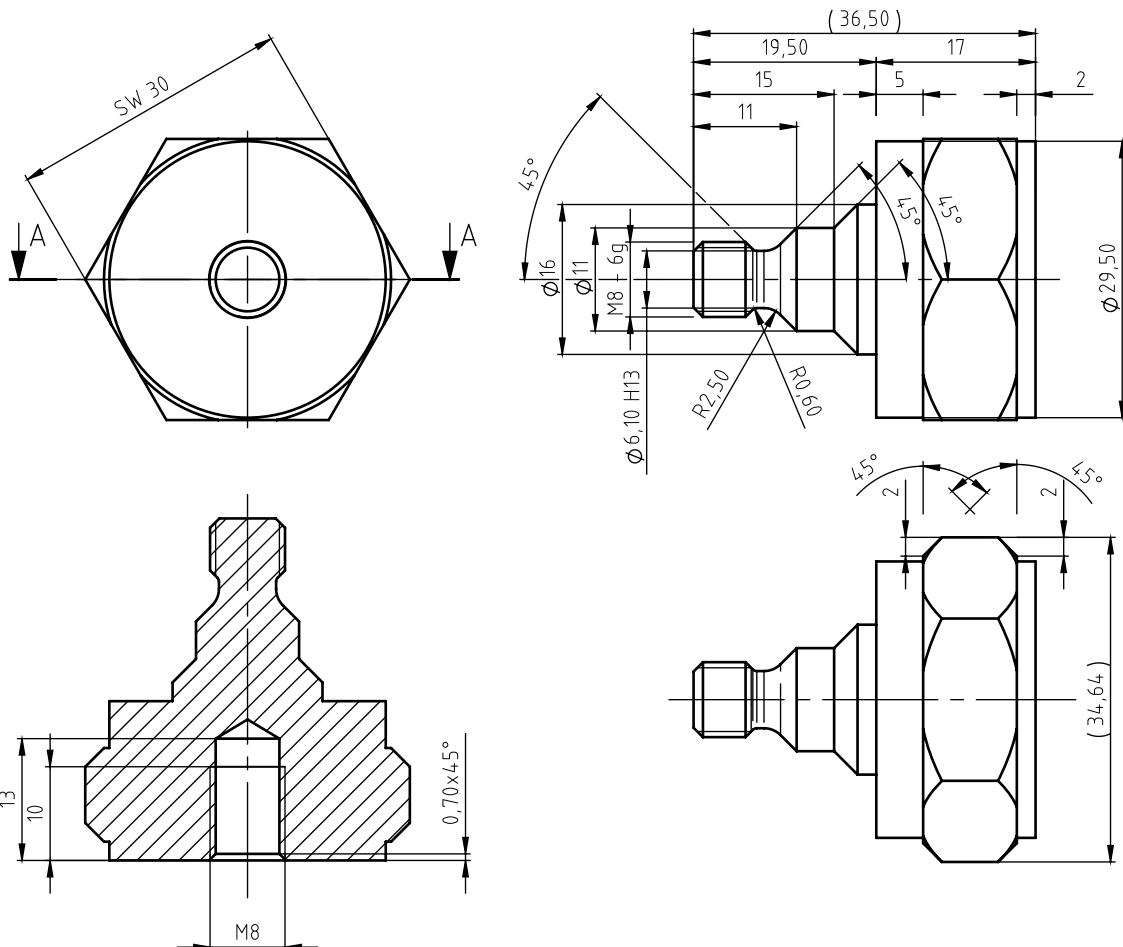
Montageadapter

Innengewinde: M8 x 10 mm, Steigung: 1.25 mm
 Außengewinde: M8 Konus (SPM) Steigung: 1.25 mm
 Material: Edelstahl, Typ V4A,
 Werkstoff Nr.: 1.4404 (AISI 316L)

Mounting Adapter

Inner thread: M8 x 10 mm, pitch: 1.25 mm
 External thread: M8 Cone (SPM), pitch: 1.25 mm
 Material: Stainless Steel, Type V4A,
 Material Nr.: 1.4404 (AISI 316L)

Abmessungen / Dimensions



Alle Maße in mm / All measures in mm