

Data sheet | Item number: 790-108

Shield clamping saddle; 11 mm wide; diameter of compatible conductor; 3 ...
8 mm



www.wago.com/790-108



Color: —

Data Notes

Safety information

Cannot be used for connecting ground conductors!

Subject to changes. Please also observe the further product documentation!

WAGO GmbH & Co. KG
Hansastr. 27
32423 Minden
Phone: +49571 887-0 | Fax: +49571 887-169
Email: info.de@wago.com | Web: www.wago.com

Do you have any questions about our products?
We are always happy to take your call at +49 (571) 887-44222.

Technical data

Main product function

Safety information

Cannot be used for connecting ground conductors!

Physical data

Width

11 mm / 0.433 inches

Material data

Color

silver-colored

Weight

12 g

Material

Steel V2A
Stainless steel

Commercial data

Product Group

2 (Terminal Block Accessories)

eCl@ss 10.0

27-14-11-50

eCl@ss 9.0

27-14-11-50

ETIM 8.0

EC002020

ETIM 7.0

EC002020

PU (SPU)

50 (10) pcs

Packaging type

box

Country of origin

DE

GTIN

4017332356954

Customs tariff number

85369010000

Environmental Product Compliance

RoHS Compliance Status

Compliant, No Exemption

Optional accessories

Carrier rail

Shield termination



Item no.: 790-145

Carrier rail; with special perforations; 1000 mm long; tin-plated; silver-colored

www.wago.com/790-145

Shield termination

Shield termination

Item no.: 790-112

Subject to changes. Please also observe the further product documentation!

WAGO GmbH & Co. KG

Hansastr. 27

32423 Minden

Phone: +49571 887-0 | Fax: +49571 887-169

Email: info.de@wago.com | Web: www.wago.com

Do you have any questions about our products?

We are always happy to take your call at +49 (571) 887-44222.



Carrier with grounding foot; parallel to carrier rail; 25 mm long; Cu 10 mm x 3 mm; suitable for 790-108 and 790-116; gray www.wago.com/790-112



Item no.: 790-110
Carrier with grounding foot; parallel to carrier rail; 15 mm long; Cu 10 mm x 3 mm; suitable for 790-108 shield clamping saddles; gray www.wago.com/790-110



Item no.: 790-115
Carrier with 2 grounding feet; parallel to carrier rail; 125 mm long; Cu 10 mm x 3 mm; gray www.wago.com/790-115



Item no.: 790-113
Carrier with grounding foot; 90° to carrier rail; 45 mm long; Cu 10 mm x 3 mm; suitable for 790 Series shield clamping saddles; gray www.wago.com/790-113



Item no.: 790-114
Carrier with grounding foot; parallel to carrier rail; 45 mm long; Cu 10 mm x 3 mm; suitable for 790 Series shield clamping saddles and 791 Series shield clamps; gray www.wago.com/790-114

Mounting

Shield termination



Item no.: 790-101
Isolated mounting carrier; for busbar with sheet metal screw (3.5 x 9) mm; gray www.wago.com/790-101



Item no.: 790-100
Isolated mounting carrier; for busbar with screw M4 x 8 mm; gray www.wago.com/790-100

N-busbar

Shield termination



Item no.: 790-191
U-shaped busbar; Cu 10 mm x 3 mm; for 8 I/O; suitable for 750 Series I/O modules; silver-colored www.wago.com/790-191



Item no.: 790-190
U-shaped busbar; Cu 10 mm x 3 mm; for 5 I/O; suitable for 750 Series I/O modules; silver-colored www.wago.com/790-190



Item no.: 790-192
U-shaped busbar; Cu 10 mm x 3 mm; for 5 I/O; suitable for 750 Series I/O modules; silver-colored www.wago.com/790-192



Item no.: 790-193
U-shaped busbar; Cu 10 mm x 3 mm; for 8 I/O; suitable for 750 Series I/O modules; silver-colored www.wago.com/790-193

Mounting accessories



Item no.: 210-133
Busbar; tin-plated; 1000 mm long; Cu 10 mm x 3 mm; white www.wago.com/210-133



Item no.: 790-133
Busbar; tin-plated; 30 mm long; Cu 10 mm x 3 mm; silver-colored www.wago.com/790-133



Item no.: 790-134
Busbar; tin-plated; 50 mm long; Cu 10 mm x 3 mm; silver-colored www.wago.com/790-134

Subject to changes. Please also observe the further product documentation!



Downloads

Documentation

Bid Text

790-108 X81 - Datei	Feb 19, 2019	xml 2.7 kB	Download
790-108 doc - Datei	Nov 28, 2018	doc 24.1 kB	Download

CAD/CAE-Data

CAD data

2D/3D Models 790-108	URL	Download
----------------------	-----	----------

CAE data

WSCAD Universe 790-108	URL	Download
EPLAN Data Portal 790-108	URL	Download
ZUKEN Portal 790-108	URL	Download

Asset Administration Shell

Asset Administration Shell 790-108	URL	Download
------------------------------------	-----	----------

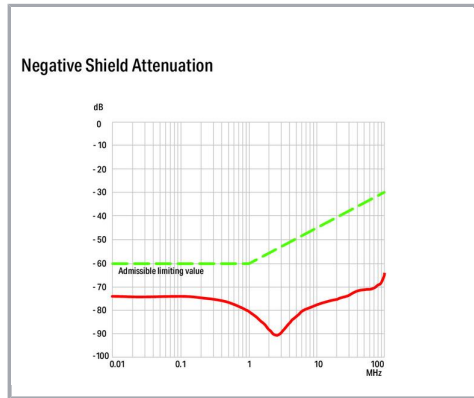
Environmental Product Compliance

Compliance Search

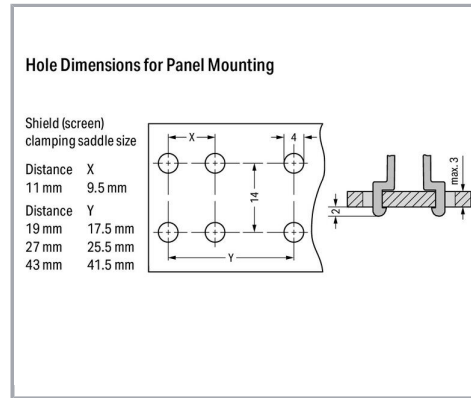
Environmental Product Compliance 790-108 Shield clamping saddle; 11 mm wide; diameter of compatible conductor; 3 ... 8 mm	URL	Download
--	-----	----------

Installation Notes

Subject to changes. Please also observe the further product documentation!



WAGO's shield connection system is highly effective because the clamping unit can be brought very close to the unshielded part of the cable.



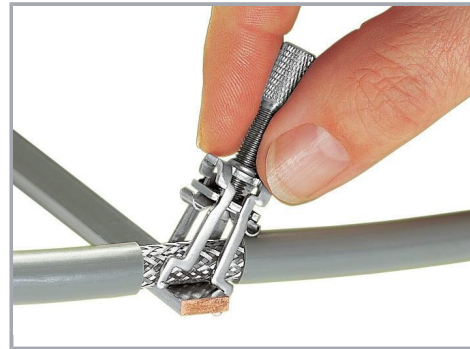
Additionally, the spring material is part of the clamping saddle, providing a good electrical connection (the system also acts as a partial strain relief). The spring element integrated in the shield clamping saddle compensates for deformation and settling that results from a connected shield.



Installation

The shield clamping saddle is shipped ready for direct connection to the (10 x 3) mm busbar or to a drilled mounting plate. After connection, tighten the knurled screw to complete the installation.

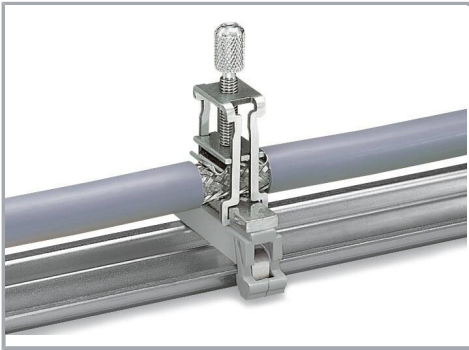
Maximum tightening torque: 0.5 Nm



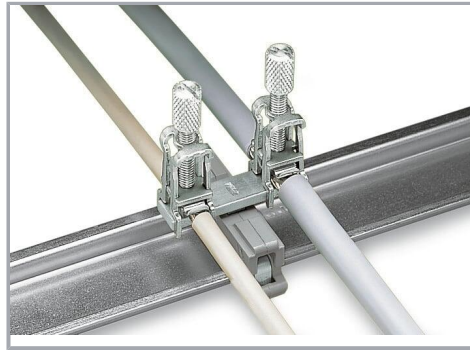
Removal

To remove the clamping saddle, unscrew until ratcheted mechanism is released, then slightly tip saddle and remove the clamping saddle.

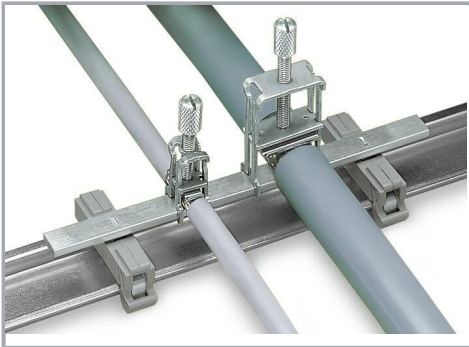
Subject to changes. Please also observe the further product documentation!



Carrier with grounding foot* (790-113), 45 mm long, busbar 90° to the DIN-rail
*for all shield clamping saddle sizes



Carrier with grounding foot* (790-114), 45 mm long, busbar parallel to the DIN-rail
*for all shield clamping saddle sizes



Carrier with grounding foot* (790-1145), 125 mm long, busbar parallel to the rail
*for all shield clamping saddle sizes

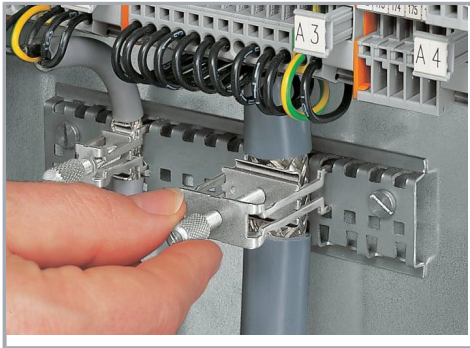


Securing an additional shield clamping saddle.

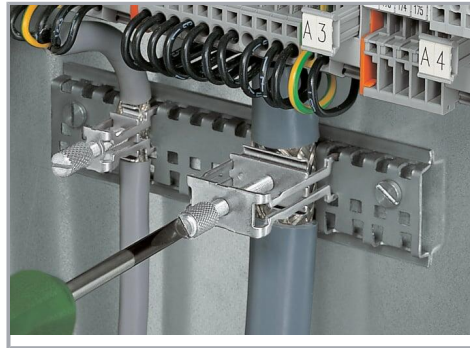
Subject to changes. Please also observe the further product documentation!

WAGO GmbH & Co. KG
Hansastr. 27
32423 Minden
Phone: +49571 887-0 | Fax: +49571 887-169
Email: info.de@wago.com | Web: www.wago.com

Do you have any questions about our products?
We are always happy to take your call at +49 (571) 887-44222.

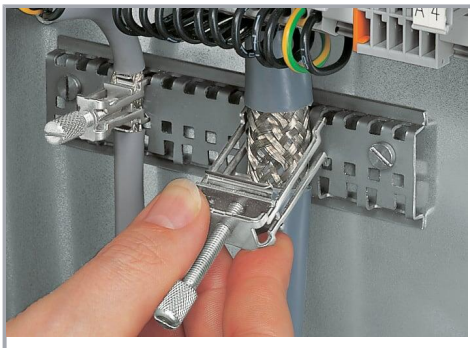


Tightening/removing a shield clamping saddle.

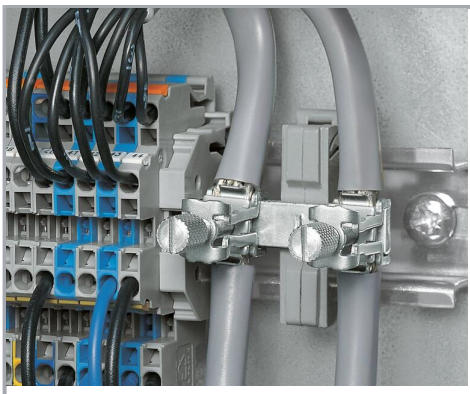


After connection, tighten the knurled screw to complete the installation.

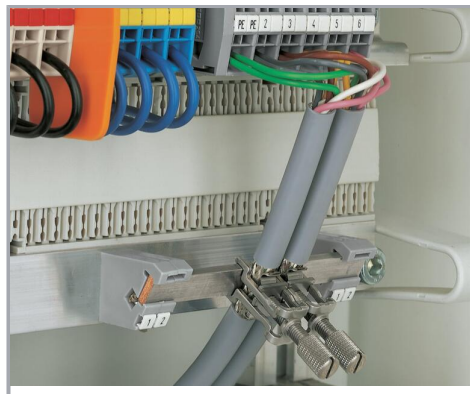
Recommended tightening torque: 0.5 Nm



To remove the clamping saddle, unscrew until ratcheted mechanism is released, then slightly tip saddle and remove the clamping saddle.

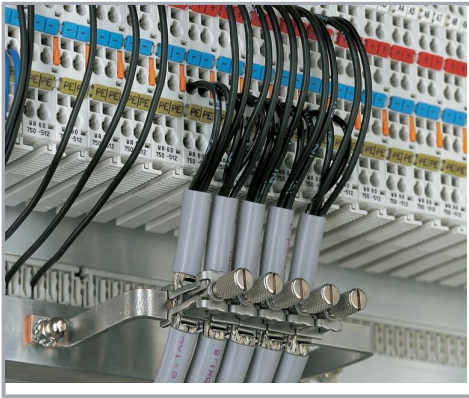


Carrier with grounding foot – busbar parallel to the rail

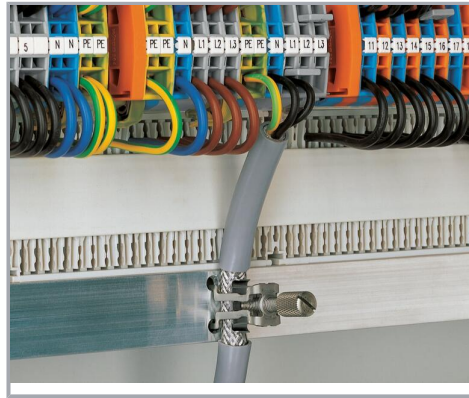


Insulated mounting carriers for a common shield reference potential, independent of housing potential

Subject to changes. Please also observe the further product documentation!



U-shaped (10 x 3) mm copper busbar



Snap shield clamping saddles into any metal plate (max. thickness: 3 mm).

Subject to changes. Please also observe the further product documentation!

WAGO GmbH & Co. KG
Hansastr. 27
32423 Minden
Phone: +49571 887-0 | Fax: +49571 887-169
Email: info.de@wago.com | Web: www.wago.com

Do you have any questions about our products?
We are always happy to take your call at +49 (571) 887-44222.