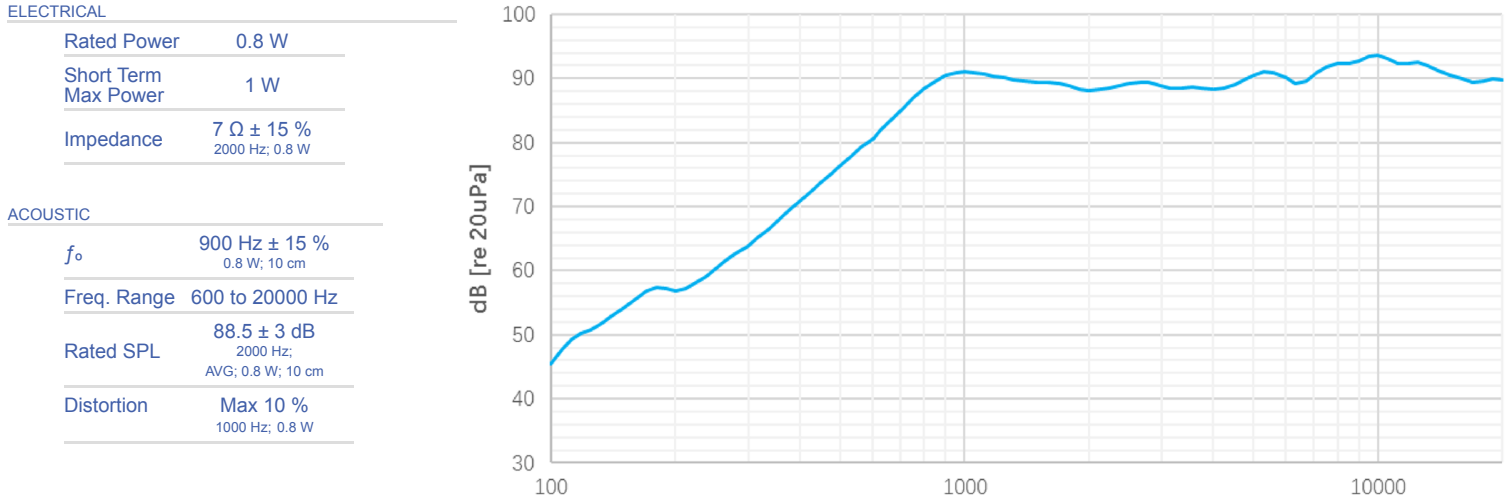


# CS13-00P90-03-1X

 Rev. 0-2023  
 RoHS3 & REACH  
 IP67  
 Mobile Speakers


## Operating Characteristics: 3cc Sealed Enclosure



## Physical Characteristics

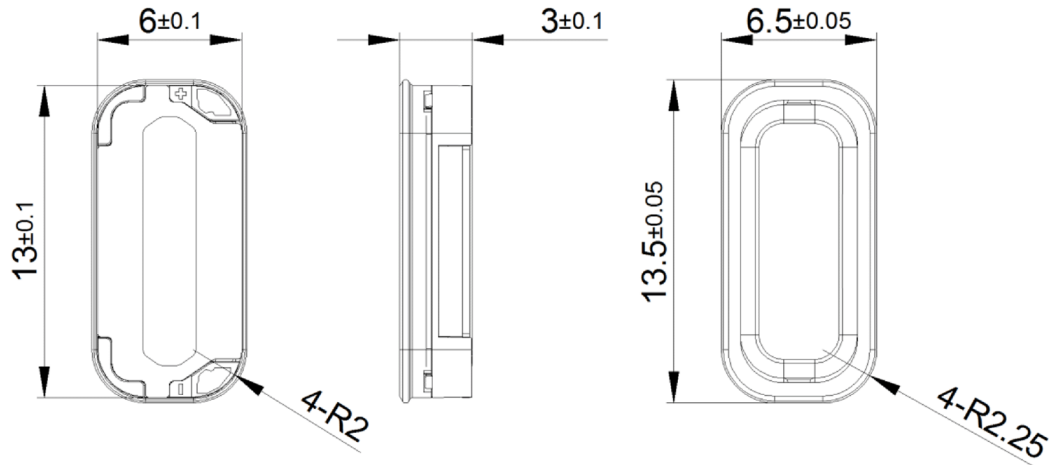
MATERIALS	
Housing	PPA
Cone	Silica Gel
Magnet	NdFeB
Solder Pads	Tin Plated Copper

TEMPERATURE RANGES	
Operating	-20 to +60 °C
Storage	-30 to +70 °C

Weight	0.75 g
--------	--------



General tolerance = ±0.5 mm and all measurements in mm unless otherwise noted.

Revision	Description	By	Date
0-2023	Original Specification.	SK	2023-11-02

Warranty: For a period of one (1) year from date of shipping under normal operations conditions. This warranty does not apply to products damaged through misuse, abuse, improper installation, alteration, rework, or attempt to repair.

The information contained herein is believed to be correct, but no guarantee or warranty, express or implied, with respect to accuracy, completeness or results is extended and no liability is assumed. Challenge Electronics reserves the right to make changes in any specification, data or material contained herein.