

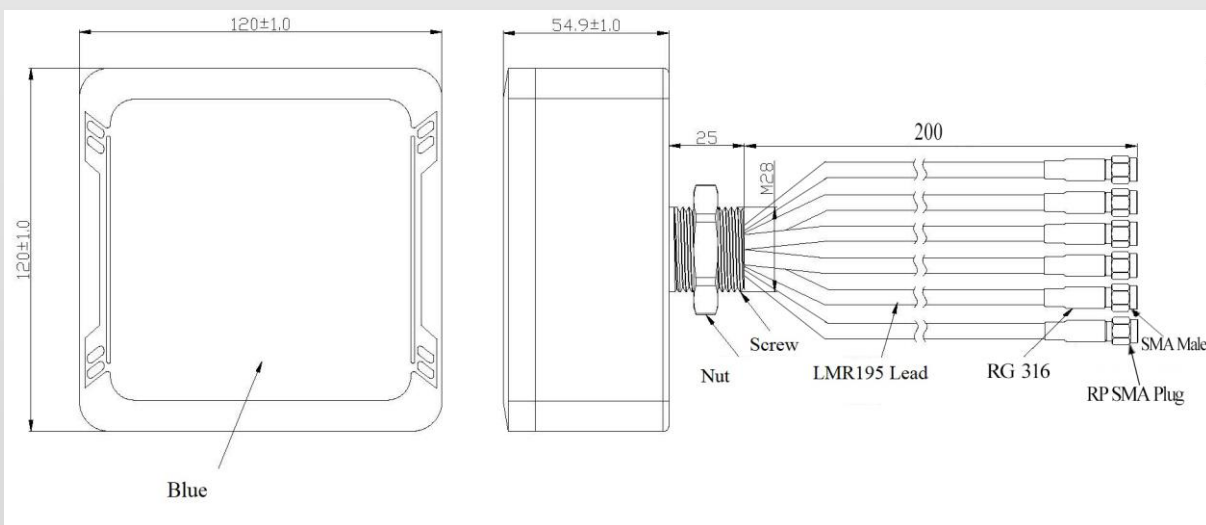


Maswell 2X2 5G MIMO 4X4 WIFI7 Antenna Screw and Adhesive Mount 700-6000MHz

AN.AG50.2Cell.4WiFi.2M



Schematic picture



Maswell 2X2 5G MIMO 4X4 WIFI7 Antenna Screw and Adhesive Mount 700-6000MHz

AN.AG50.2Cell.4WiFi.2M

Specifications

Item	Specifications	
Cellular 5G/4G LTE/3G Antenna 1	Frequency Range	700MHz~6000MHz
	Polarization	Linear
	Gain	Up to 3.0 dBi
	V.S.W.R	average 3.0
	Efficiency	>50%
Cellular 5G/4G LTE/3G Antenna 2	Frequency Range	700MHz~6000MHz
	Polarization	Linear
	Gain	Up to 3.0 dBi
	V.S.W.R	average 3.0
	Efficiency	>50%
Wifi7/WiFi6E/Bluetooth/Zigbee Antenna 3	Frequency Range	2100-7200MHz
	Polarization	Linear
	Gain	Up to 3.0 dBi
	V.S.W.R	average 3.0
	Efficiency	>50%
Wifi7/WiFi6E/Bluetooth/Zigbee Antenna 4	Frequency Range	2100-7200MHz
	Polarization	Linear
	Gain	Up to 3.0 dBi
	V.S.W.R	average 3.0
	Efficiency	>50%
Wifi7/WiFi6E/Bluetooth/Zigbee Antenna 5	Frequency Range	2100-7200MHz
	Polarization	Linear
	Gain	Up to 3.0 dBi
	V.S.W.R	average 3.0
	Efficiency	>50%
Wifi7/WiFi6E/Bluetooth/Zigbee Antenna 6	Frequency Range	2100-7200MHz
	Polarization	Linear
	Gain	Up to 3.0 dBi
	V.S.W.R	average 3.0
	Efficiency	>50%



Maswell 2X2 5G MIMO 4X4 WIFI7 Antenna Screw and Adhesive Mount 700-6000MHz

AN.AG50.2Cell.4WiFi.2M

Specifications

Mechanical	Dimension	120mm *120mm*55mm
	Connector Type	Antenna 1-2: SMA Male Antenna 3-6: RP SMA Plug
	Cable	RG316 20cm + LMR240 2 meters
Environmental	Operating Temperature	-40°C~+85°C
	Relative Humidity	Up to 95%
	Vibration	10 to 55Hz with 1.5mm amplitude 2hours
	Environmentally Friendly	ROHS Compliant
	Ingress Protection	IP66