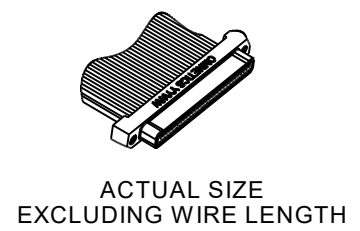
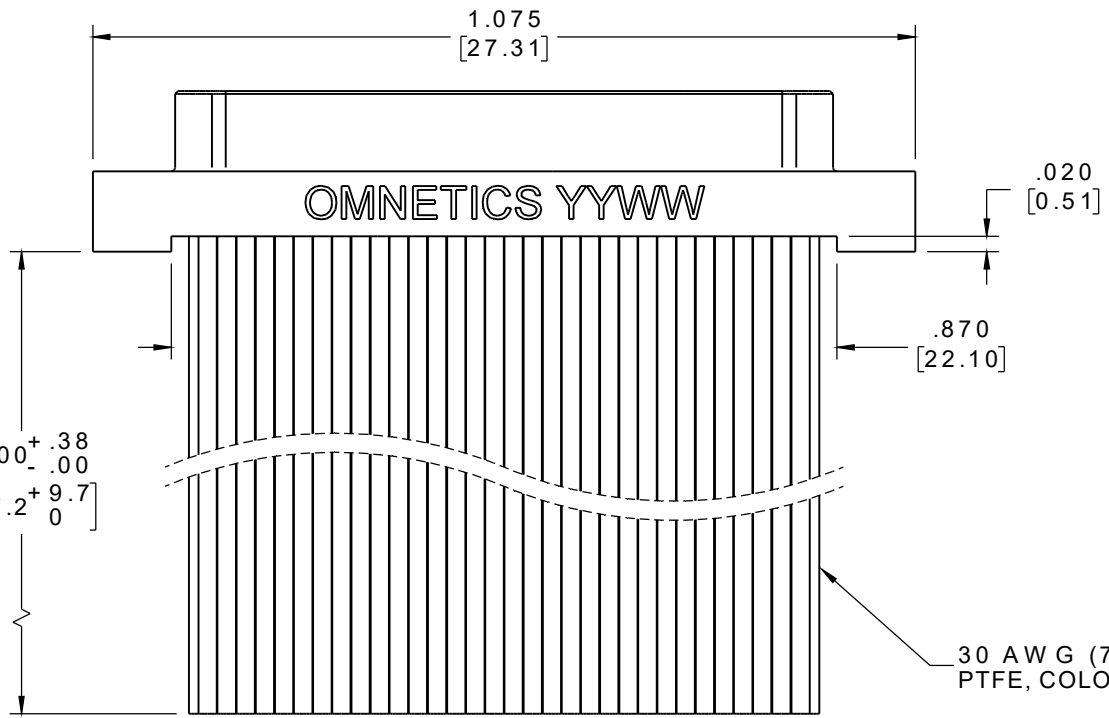
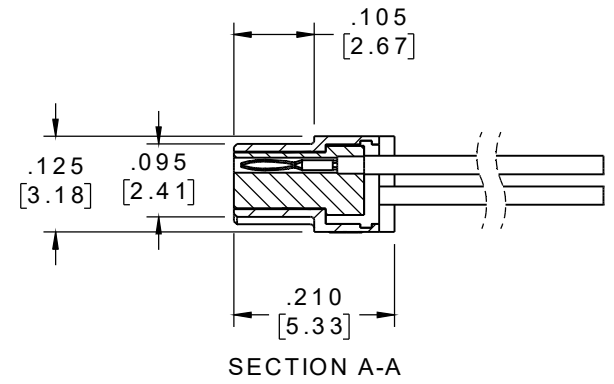
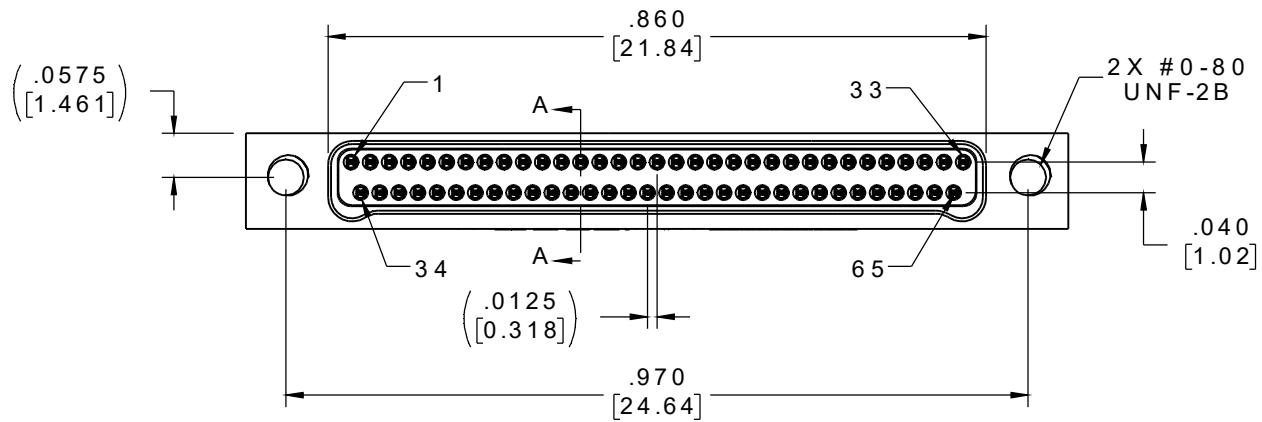


PART NO.	A28000-165	REV	ECO	DATE	APP
		A	105642	07-17-19	TLM



NOTE:
DIMENSIONS IN [] ARE IN MILLIMETERS UNLESS OTHERWISE NOTED AND ARE FOR REFERENCE ONLY

MNP PO SIDW	THIRD ANGLE	THIS DRAWING CONTAINS CONFIDENTIAL AND PROPRIETARY INFORMATION WHICH IS THE PROPERTY OF OMNETICS CONNECTOR CORP. THIS DOCUMENT MAY NOT, IN WHOLE OR IN PART, BE DUPLICATED, OR DISCLOSED FOR ANY PURPOSE, WITHOUT WRITTEN PERMISSION FROM OMNETICS CONNECTOR CORP.	
	-TOLERANCES-	DFTM. TLM	TITLE:
	UNLESS OTHERWISE NOTED	DATE	DATE
	DIMENSIONS IN INCHES	DATE	DATE
2 P L DEC ± .01	07-15-19		(65) PIN MALE
3 P L DEC ± .005			Bi-Lobe® CONNECTOR
4 P L DEC ± .0005			
ANGLES ± 1°			

OMNETICS
CONNECTOR CORPORATION
7260 COMMERCE CIRCLE EAST
MINNEAPOLIS, MN 55432
WWW.OMNETICS.COM

CAGE CODE 61873	
DWG NO. A28000-165	
SHEET 1 OF 2	REV A
SCALE: 4:1	