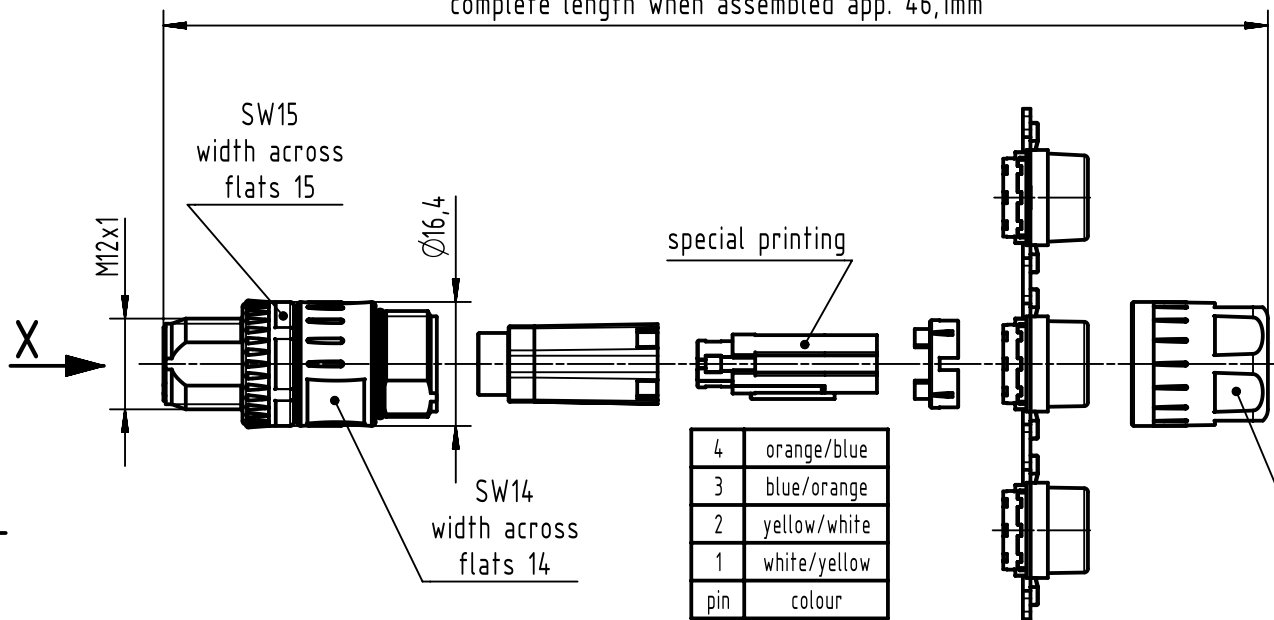
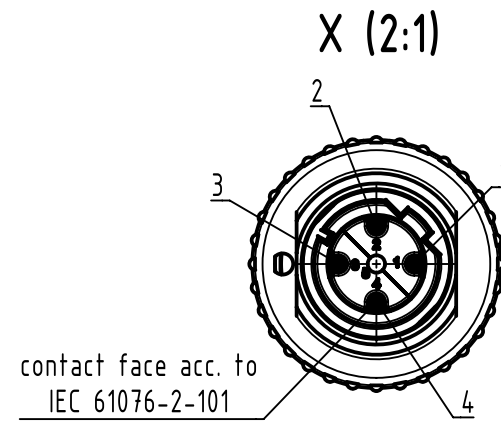


complete length when assembled app. 46,1mm

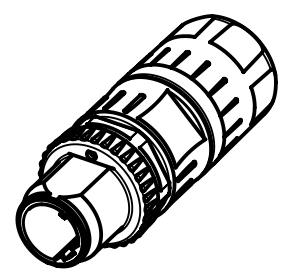
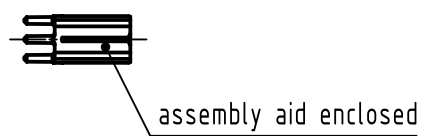


4	orange/blue
3	blue/orange
2	yellow/white
1	white/yellow
pin	colour



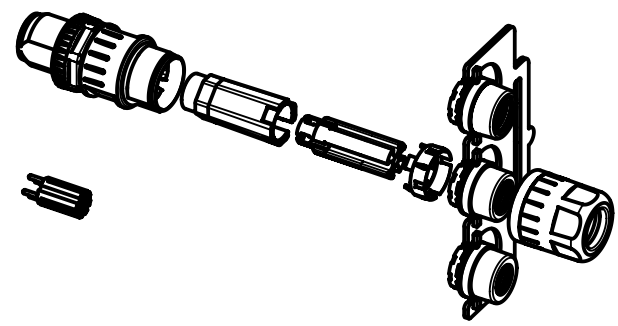
contact face acc. to IEC 61076-2-101

SW15 width across flats 15



order contacts separately

cable Ø	wire gauge	part-no.
5,7-8,8mm	AWG 26-22	09 67 000 5576
	AWG 24-20	09 67 000 8576
	AWG 22-18	09 67 000 3576



	All rights reserved Department EC PD - RO	All Dimensions in mm Original Size DIN A4			Scale 1:1	Free size tol.	Ref.
		Created by DRAGHICI	Inspected by AVRAM	Standardisation HOFFMANN	Date 2015-09-14	State Final Release	Sub.
HARTING Electronics GmbH D-32339 Espelkamp		Title M12 crimp Slim Design 4-pole D-coded male				Doc-Key / ECM-Nr. 100518952/UGD/001/D 500000094238	
		Type TB	Number 21038811415			Rev. D	Page 1/1