

SAI-8-MF 5P PUR 5M**Weidmüller Interface GmbH & Co. KG**

Klingenbergstraße 26

D-32758 Detmold

Germany

www.weidmueller.com



M12 distributors are available in various versions. The 4, 6 or 8 M12 slots are in 4 or 5 pole design. The group outlet is designed as a fixed cable version, hood version for connection by the user, or with M23. Special versions are also available. For instance, there are 1-to-1 distributors for use with any connection types, or distributors approved for Ex Zone 1.

General ordering data

Version	Hood version, M12, 30 V, A-coded, LED: Yes, LED initiator: Yes, Wiring type: PNP, 5 m
Order No.	1804590000
Type	SAI-8-MF 5P PUR 5M
GTIN (EAN)	4032248266333
Qty.	1 pc(s).

SAI-8-MF 5P PUR 5M

Weidmüller Interface GmbH & Co. KG
Klingenbergstraße 26
D-32758 Detmold
Germany

www.weidmueller.com

Technical data

Dimensions and weights

Depth	152 mm	Depth (inches)	5.984 inch
Height	41.5 mm	Height (inches)	1.634 inch
Net weight	943 g		

Temperatures

Operating temperature	-20 - 80°C
-----------------------	------------

Connection data

Clamping range, min.	0.08 mm ²	Clamping range, max.	1.5 mm ²
Storage space	Standard	Distributor outlet	Hood version
Connection type PE	Screw connection		

Electrical data

Rated voltage, min.	10 V	Rated voltage, max.	30 V
Test voltage	1 kV	Max. current-carrying capacity per slot	4 A
Total current	10 A	Insulation strength	10 ⁹ Ω

General technical data

Plug-in station coding	A-coded	Protection degree	IP68
Number of poles	5	Number of contact sockets	8
Connection thread	M12	Pollution severity	3
Fire behaviour	V-0	Plugging cycles	≤ 50
LED	Yes	LED initiator	Yes
LED colour for indicating operation	green	LED colour for I/O function	yellow

Material data

Housing main material	Pocan	Material of distributor	Plastic
Housing colour	grey, RAL 7032	Hood sealing material	Viton
Screw socket	Nickel-plated CuZn	Contact material	CuZn
Contact surface	Gold-plated	Contact carrier material	PBT (UL 94 V0)

Technical data cable

Number of poles	5	O.D.	9.7 mm
Cable length	5 m	Suitable for cable carriers	Yes

Classifications

ETIM 6.0	EC002585	ETIM 7.0	EC002585
ETIM 8.0	EC002585	ETIM 9.0	EC002585
ECLASS 9.0	27-44-01-08	ECLASS 9.1	27-44-01-08
ECLASS 10.0	27-44-01-08	ECLASS 11.0	27-44-01-08
ECLASS 12.0	27-44-01-08	ECLASS 13.0	27-44-01-08

Approvals

ROHS	Conform
------	---------

SAI-8-MF 5P PUR 5M

Weidmüller Interface GmbH & Co. KG
Klingenbergstraße 26
D-32758 Detmold
Germany

www.weidmueller.com

Technical data

Downloads

Catalogues	Catalogues in PDF-format
Brochures	FL FIELDWIRING EN FL FIELDWIRING EN

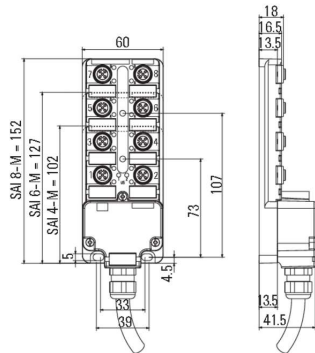
SAI-8-MF 5P PUR 5M

Weidmüller Interface GmbH & Co. KG
Klingenbergstraße 26
D-32758 Detmold
Germany

Drawings

www.weidmueller.com

Dimensioned drawing



Wiring diagram

