

CUSTOMER PRINT

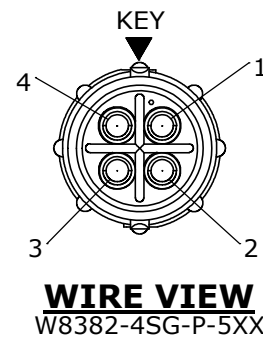
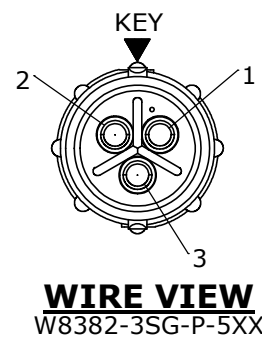
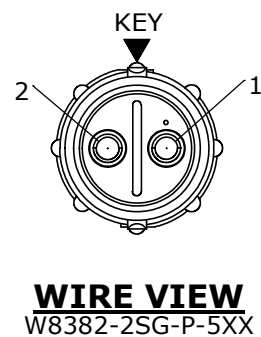
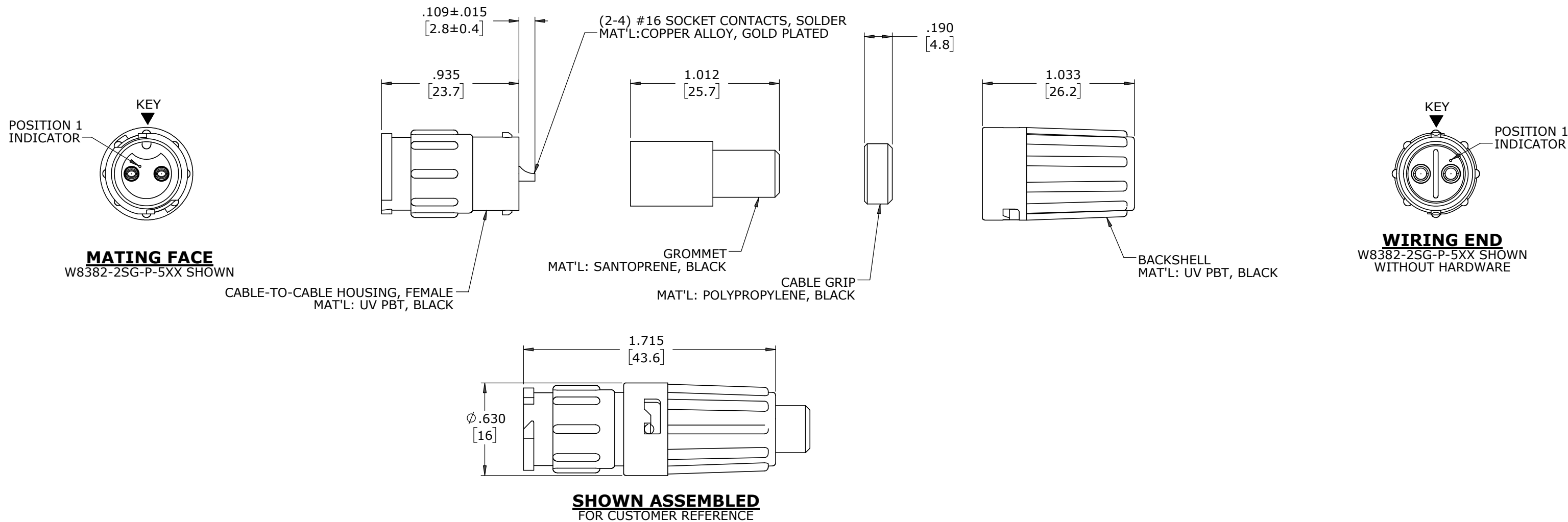
PART NUMBER: W8382-XSG-P-5XX

- NOTES:
 1. ALL PARTS TO BE BULK PACKED.
 2. CONTACTS ASSEMBLED INTO CONNECTOR
 3. DIMENSIONS ARE REFERENCE EXCEPT THOSE WITH A TOLERANCE

ASS'Y P/N	CABLE O.D.
W8382-XSG-P-513	.13-.15 [3.3-3.8]
W8382-XSG-P-516	.16-.18 [4.1-4.6]
W8382-XSG-P-519	.19-.21 [4.8-5.3]
W8382-XSG-P-522	.22-.25 [5.6-6.3]
W8382-XSG-P-526	.25-.27 [6.4-6.9]
W8382-XSG-P-528	.26-.285 [6.6-7.2]

ASSEMBLY P/N	CONTACT QTY
W8382-2SG-P-5XX	2 #16
W8382-3SG-P-5XX	3 #16
W8382-4SG-P-5XX	4 #16
W8382-XSG-P-5XX	

GROMMET SIZE
NUMBER OF CONTACTS



CUSTOMER APPROVAL

THIS DOCUMENT CONTAINS CONFIDENTIAL INFORMATION PROPRIETARY TO CONXALL CORPORATION. ANY REPRODUCTION, DISCLOSURE, OR USE OF THIS DOCUMENT /INFORMATION IS EXPRESSLY PROHIBITED UNLESS AUTHORIZED IN WRITING BY CONXALL CORPORATION.

APPROVED BY: _____
 DATE: _____

RoHS COMPLIANT

MA	07-14-20	RELEASED PER PDR 16014-0
PNK	01-15-18	PDR 16014
REV. INIT.	DATE	DESCRIPTION
		ORIG. DRAWN BY: PNK DATE: 01-15-18
<small>ALL INFORMATION ILLUSTRATED IS THE PROPERTY OF "CONXALL CORPORATION". UNAUTHORIZED DUPLICATION OR DISTRIBUTION OF THIS DOCUMENT IS PROHIBITED.</small>		<p>601 E. WILDWOOD VILLA PARK, IL 60181</p>
<small>ALL UNITS ARE IN FEET, INCHES, FRACTION OF INCHES AND DECIMALS.</small>		
<small>UNLESS OTHERWISE SPECIFIED TOLERANCES: 3 PLACE DECIMALS ±0.010 ANGLES ±1° FRACTIONS ±1/16</small>		TITLE: CABLE-TO-CABLE CONNECTOR 2-4 #16 SOCKET CONTACTS, SOLDER INSTA-CLICK™ MINI-CON-X CUSTOMER: STANDARD PRODUCT
APPROVED BY:	SCALE: NTS	SHEET: 1 OF 1
FILE: W8382-XSG-P-5XX	DIRECTORY: SLW	PART NUMBER: W8382-XSG-P-5XX
		REV: A