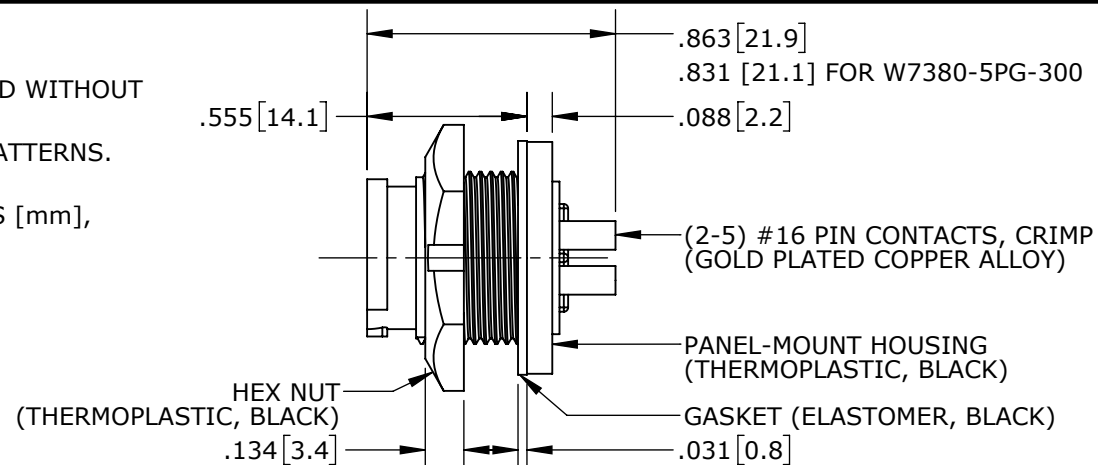


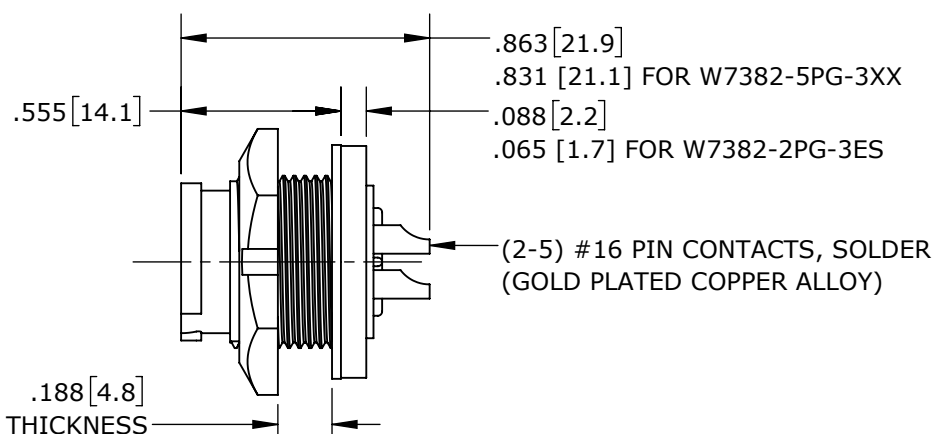
CUSTOMER PRINT

PART NUMBER: W738X-XPG-P-3XX_CD

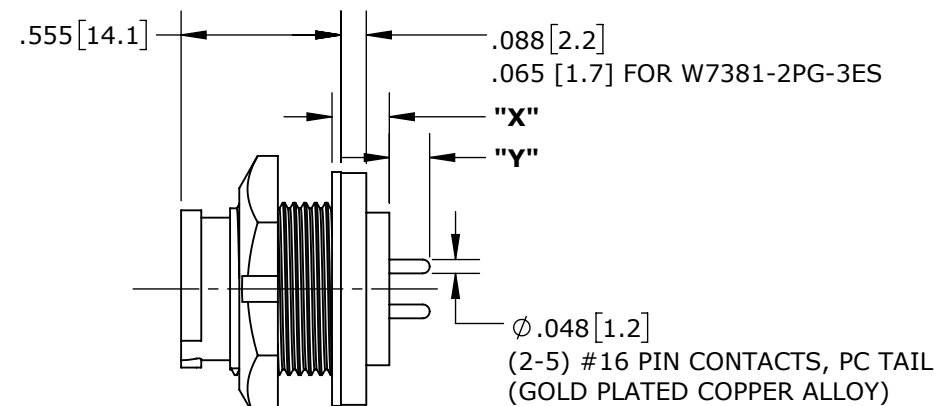
- NOTES:
1. CRIMP CONTACTS SUPPLIED UNASSEMBLED AND WITHOUT EPOXY BACKING.
 2. REFER TO DRAWING HPMISTD FOR CONTACT PATTERNS.
 3. HEX-NUT TORQUE: 8-10 IN-LB.
 4. DIMENSIONS ARE REFERENCE ONLY, IN INCHES [mm], WITHIN ±0.015 UNLESS OTHERWISE NOTED.



CRIMP CONTACTS (SHOWN ASSEMBLED)
W7380-4PG-P-300 SHOWN



SOLDER CONTACTS
W7382-4PG-P-300 SHOWN



PC TAIL CONTACTS
W7381-4PG-P-3ES SHOWN

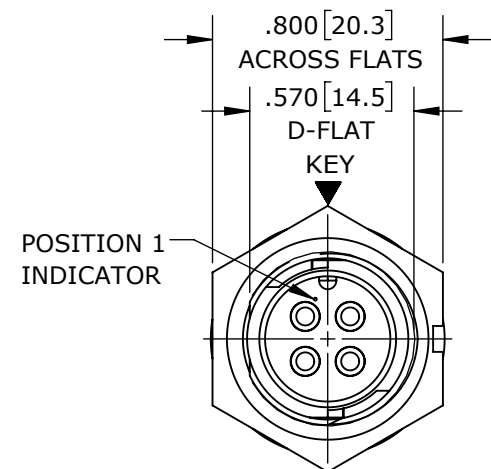
PANEL-MOUNT CONNECTOR PART NUMBERS:

W 7 3 8 X - X P G - P - 3XX

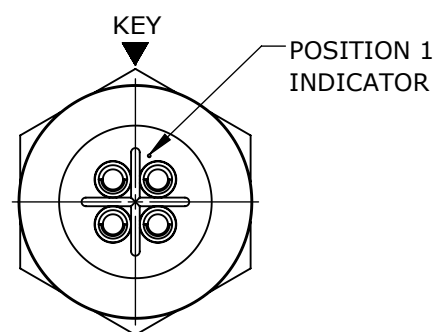
CONTACTS STYLE:
0 = CRIMP
2 = SOLDER
1 = PC TAIL

OF CONTACTS:
2-5 #16 PINS

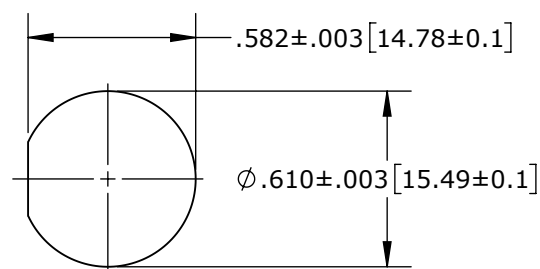
EPOXY BACKING:
3ES = WITH EPOXY
300 = WITHOUT EPOXY



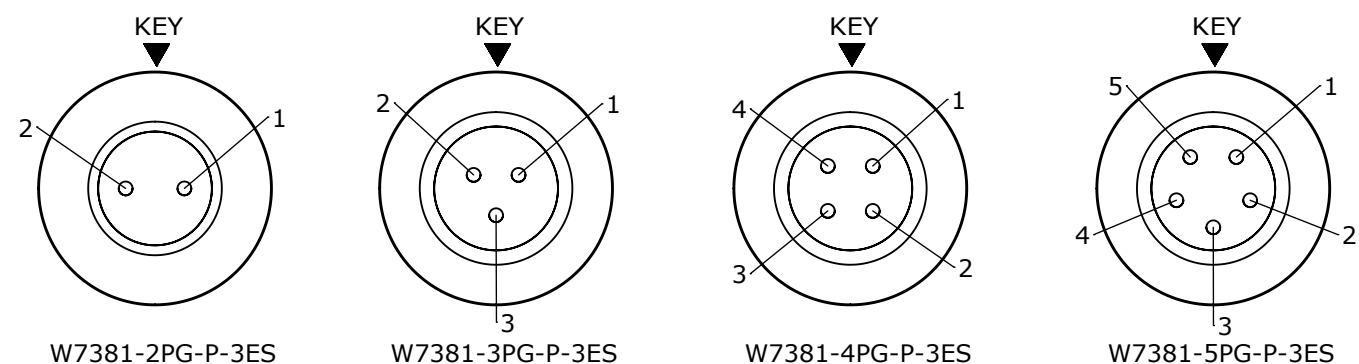
MATING FACE
W7382-4PG-P-300 SHOWN



WIRING END
W7382-4PG-P-300 SHOWN



RECOMMENDED PANEL CUTOUT



CONTACT ARRANGEMENTS (WIRING END SHOWN)

PC CONTACT CONNECTORS DIMENSIONING:			
PART NUMBER	"X"	"Y"	"Z"
W7381-2PG-P-300	.174 [4.4]	.165 [4.2]	.530 [13.5]
W7381-3PG-P-300			
W7381-4PG-P-300			
W7381-5PG-P-300	.124 [3.1]	.183 [4.6]	.464 [11.8]
W7381-2PG-P-3ES	.191 [4.9]	.148 [3.8]	
W7381-3PG-P-3ES	.199 [5.1]	.140 [3.6]	.530 [13.5]
W7381-4PG-P-3ES			
W7381-5PG-P-3ES			

CUSTOMER APPROVAL

THIS DOCUMENT CONTAINS CONFIDENTIAL INFORMATION PROPRIETARY TO CONXALL CORPORATION. ANY REPRODUCTION, DISCLOSURE, OR USE OF THIS DOCUMENT /INFORMATION IS EXPRESSLY PROHIBITED UNLESS AUTHORIZED IN WRITING BY CONXALL CORPORATION.

APPROVED BY: _____

DATE: _____

RoHS COMPLIANT

0A	PNK	01-12-18	PDR16014
REV.	INIT.	DATE	DESCRIPTION
	PNK	01-12-18	
<small>ALL INFORMATION ILLUSTRATED IS THE PROPERTY OF CONXALL CORPORATION. UNAUTHORIZED DUPLICATION OR DISTRIBUTION OF THIS DOCUMENT IS PROHIBITED.</small>			<p>601 E. WILDWOOD VILLA PARK, IL 60181</p>
<small>ALL UNITS ARE IN FEET, INCHES, FRACTION OF INCHES AND DECIMALS.</small>			
APPROVED BY:		TITLE: PANEL-MOUNT CONNECTOR	
SCALE: NTS		2-5 #16 PIN CONTACTS	
SIZE: B		INSTA-CLICK™ MINI-CON-X	
SHEET: 1 OF 1		CUSTOMER: STANDARD PRODUCT	
FILE: W738X-XPG-P-3XX_CD	DIRECTORY: SLW	PART NUMBER: W738X-XPG-P-3XX	REV: 0A