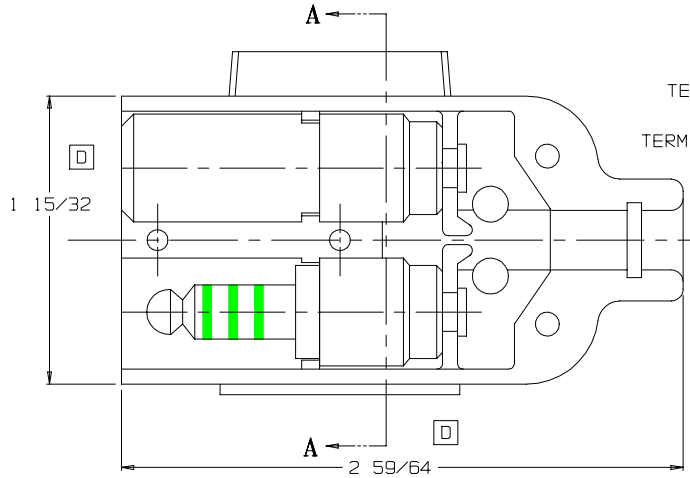
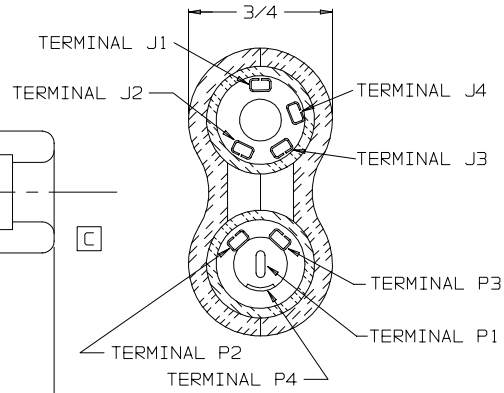


C TJ-108C

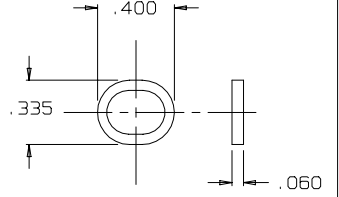
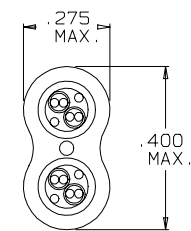
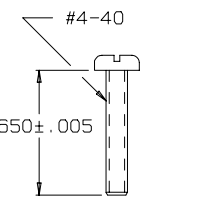
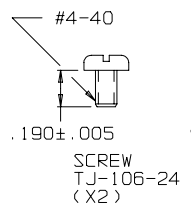
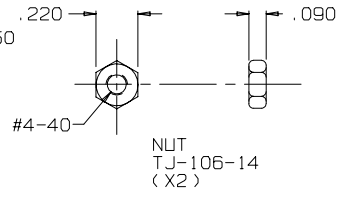
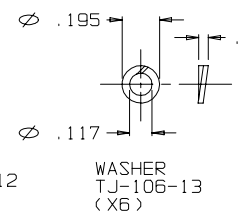
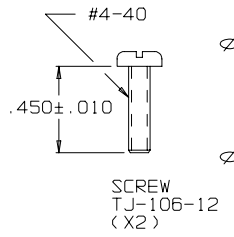
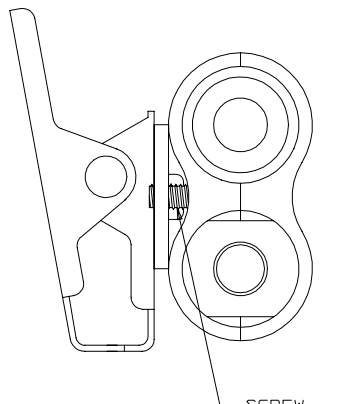
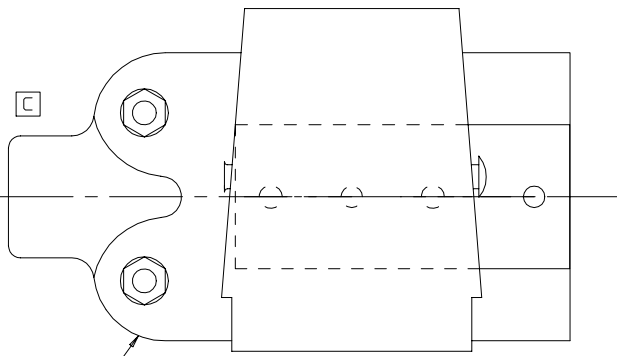
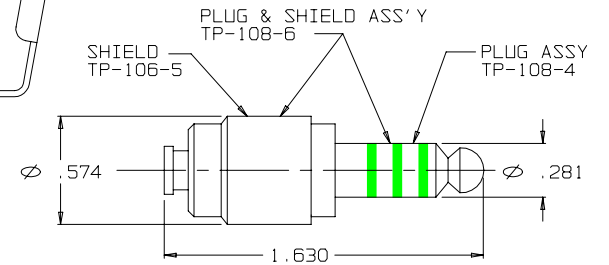
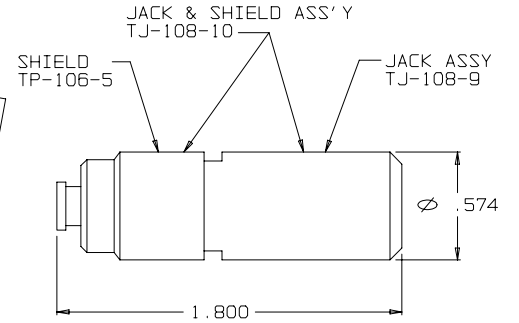
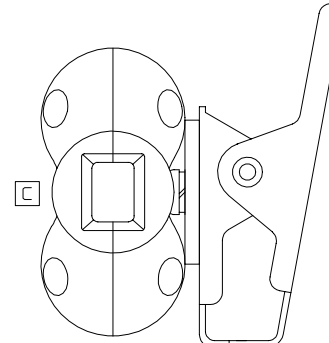
NOTE:
CLIP CAN BE REVERSED
FOR L.H. OR R.H. USE



VIEW WITH HALF SHELL REMOVED

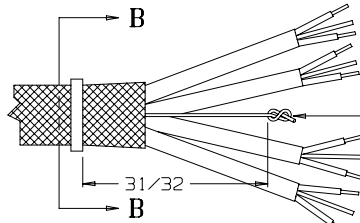
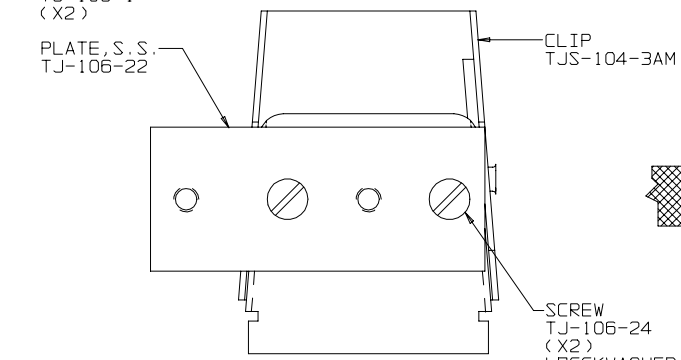


SECTION A-A



SECTION B-B
STRAIN RELIEF
CLAMP TJ-106-10A
AFTER CRIMPING
SCALE: 4:1

THIS DOCUMENT CONTAINS PROPRIETARY INFORMATION OF NEXUS, INCORPORATED AND SUCH INFORMATION MAY NOT BE DISCLOSED TO OTHERS FOR ANY PURPOSE OR USED FOR ANY PURPOSE WITHOUT THE WRITTEN CONSENT OF NEXUS.



STAY CORD-VARNISH KNOT

DWN. BY <i>M.N.F.</i>		DATE 9/14/95		MATERIAL	
CHECKED BY <i>L. SMITH</i>		DATE 3/14/96		FINISH	
APPR. BY <i>L. SMITH</i>		DATE 3/14/96		WEIGHT	
C CHANGED DETAIL OF CORD ENTRY		0425	9/13/01	SCALE 2:1	
B 3) WAS .190 ± .010		0352	3/11/99	TITLE JACK-TELEPHONE-BIAXIAL SHIELDED (8) CONDUCTOR WITH CLIP	
2) WAS .950 ± .010		0220	3/29/96	SIZE	
1) WAS 1-106-23				C	
D DIM WAS 8-27-92				Dwg. No. TJ-108C	
SCALING ERROR ONLY				DD NOT SCALE DWG. SHEET 1 OF 1	
LET.	REVISION	CN #	DATE	CHK.	LET.