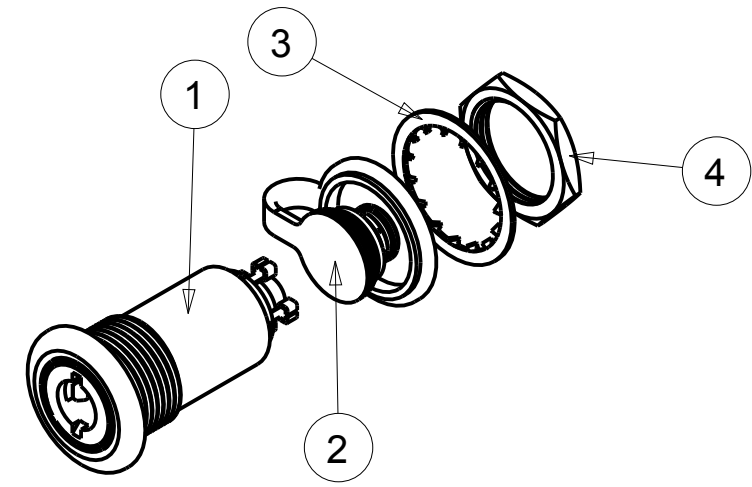
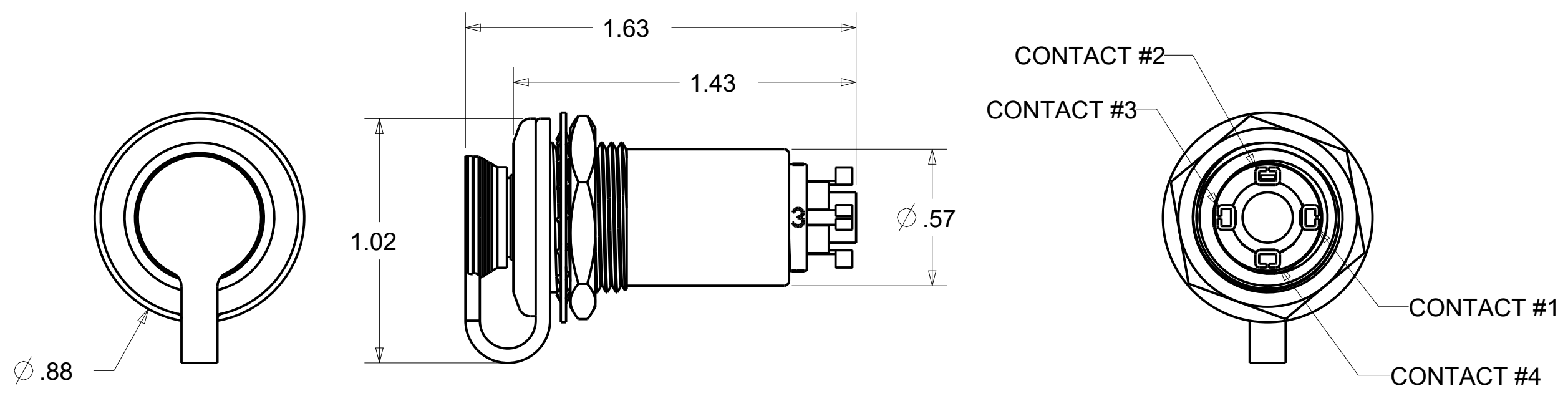


ITEM #	PART #	QTY	DESCRIPTION
1	TJ-101NS-01	1	4 CONDUCTOR JACK
2	AJ-117PM-11	1	SEAL PLUG
3	SW-200-35	1	LOCK WASHER
4	SW-200-34	1	NUT

B TJ-101NS



NOTES:
 1) RECOMMENDED PANEL HOLE CUTOUT IS $\phi .635 \pm .005$



THIS DOCUMENT CONTAINS PROPRIETARY INFORMATION OF NEXUS, INCORPORATED AND SUCH INFORMATION MAY NOT BE DISCLOSED TO OTHERS FOR ANY PURPOSE OR USED FOR ANY PURPOSE WITHOUT THE WRITTEN CONSENT OF NEXUS.

LET.	REVISION	CN #	DATE	CHK.
B	ADD NEW P/N	130	5/11 2012	HR
A	NEW RELEASE		1/6 2011	HR

DWN.BY	HR	DATE	06-Jan-11	MATERIAL	
CHECKED BY		DATE		FINISH	
APPR.BY		DATE		WEIGHT	SCALE = 1.00 :1
UNLESS OTHERWISE SPECIFIED: DIMENSIONS ARE IN INCHES &/OR (mm) TOLERANCES: DECIMAL: .XX[X.X] .XXX[X.XX] ± .01[0.3] ± .003[0.08] FRACTION: X/X ± 1/64 ANGLES: X ± .5°				TITLE	
				TELEPHONE JACK 4 COND W/CAP	
				DO NOT SCALE DWG.	SHEET 1 OF 1
				SIZE	DWG. NO.
				B	TJ-101NS

NEXUS
STAMFORD, CONN