

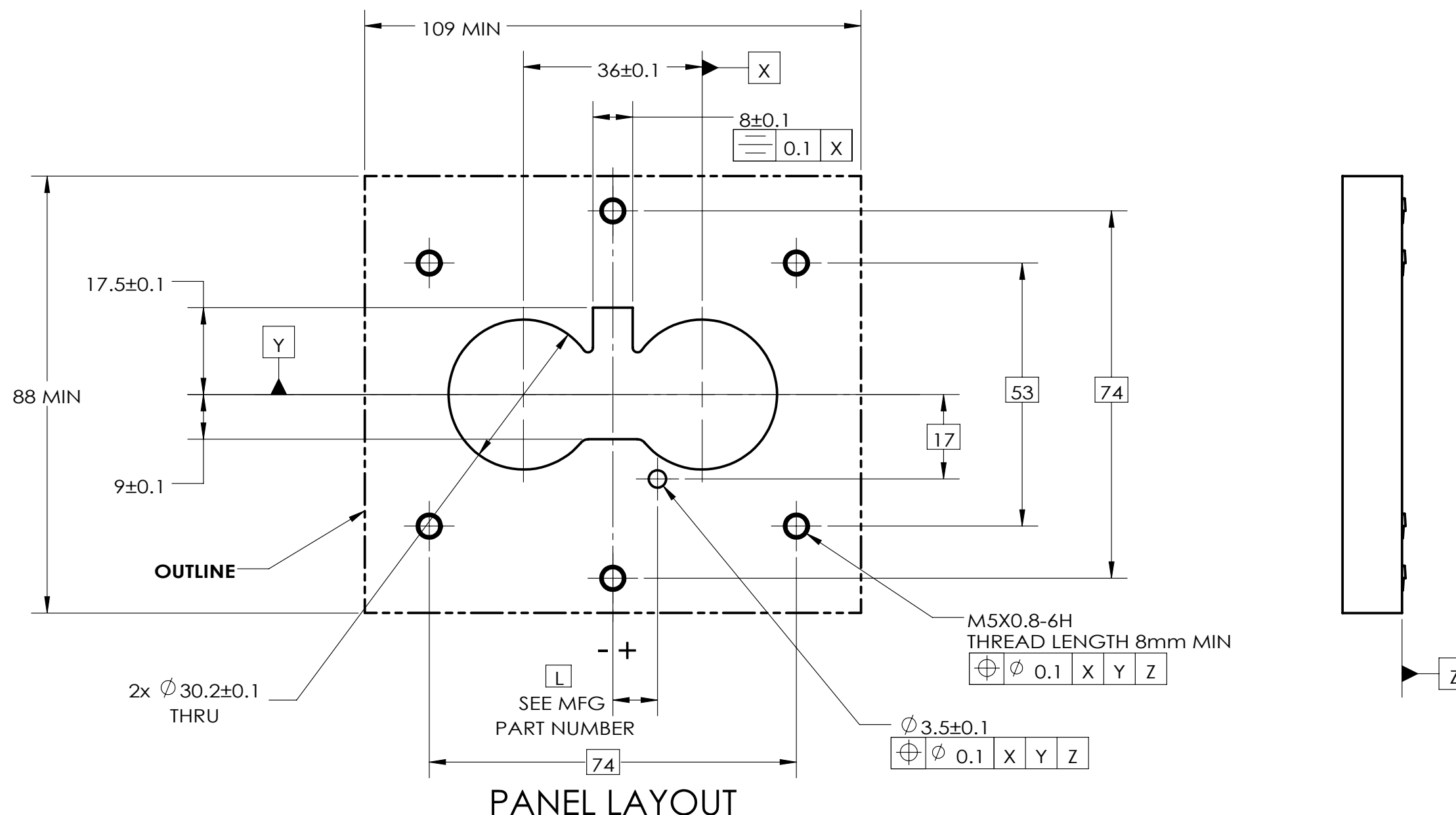
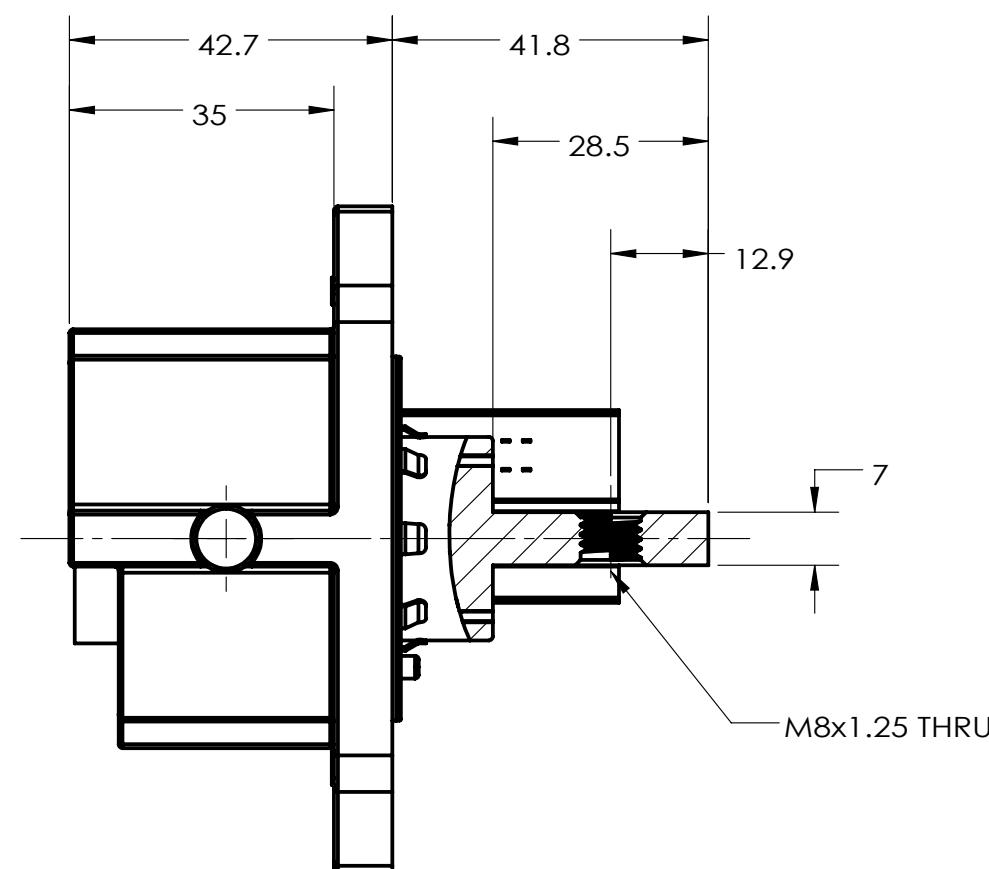
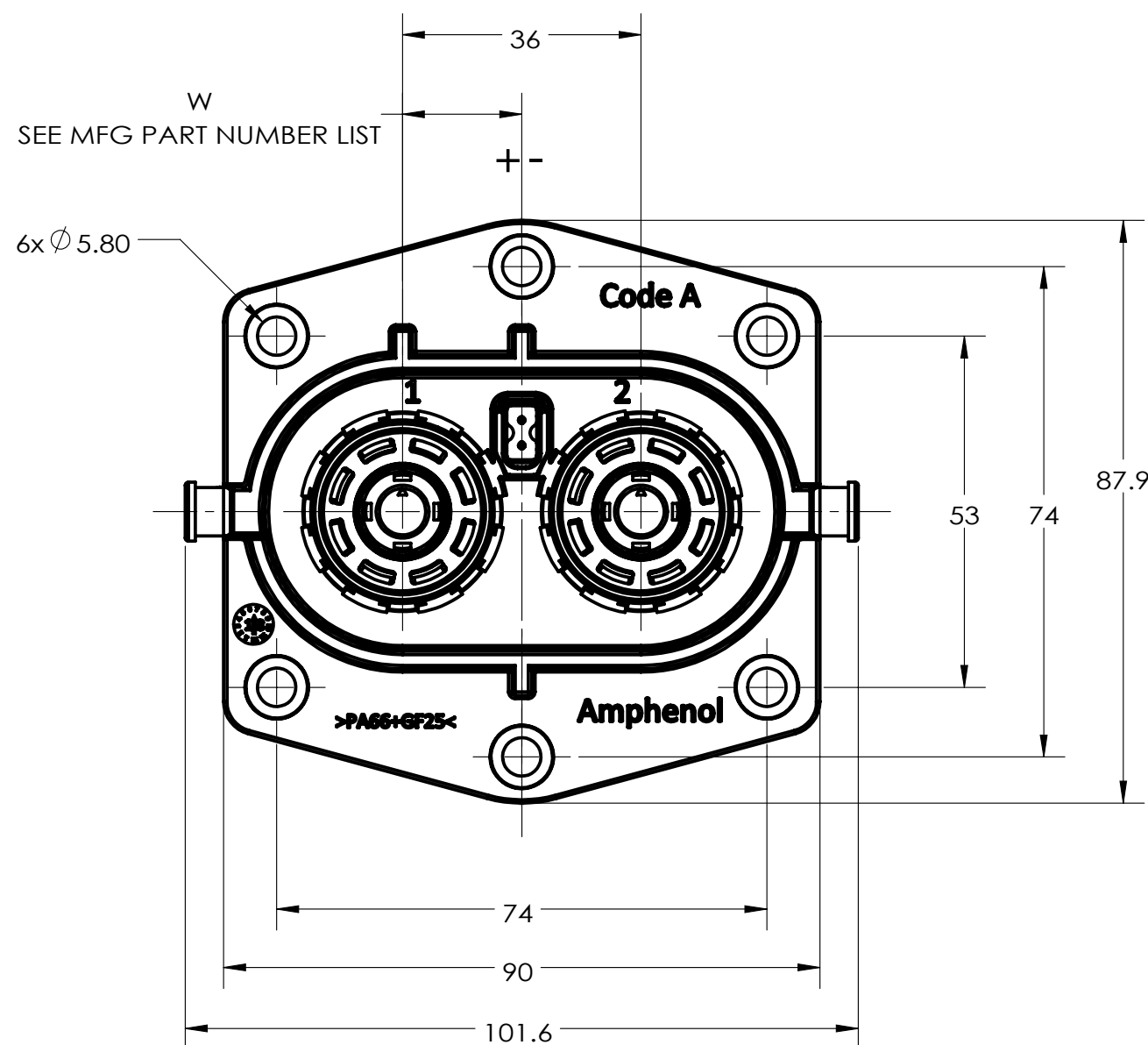
GENERAL TOLERANCE

DIM. RANGE	0.5 - 3	>3-6	>6-30	>30-120	>120-400
TOLERANCE	±0.1	±0.1	±0.2	±0.3	±0.5

CUSTOMER DRAWING

REVISIONS

ZONE	REV.	DESCRIPTION	DATE
	B	UPDATE THE DESIGN	2017-09-19
	C	ADD CODE NUMBER	2018-02-09
	D	ADD TYPE OPTION	2019-06-27



1. THE REFERENCED PRODUCT SHALL BE COMPLIANT TO RoHS DIRECTIVE.

NOTES:

THIS DOCUMENT CONTAINS PROPRIETARY INFORMATION AND SUCH INFORMATION MAY NOT BE DISCLOSED TO OTHERS FOR ANY PURPOSE OR USED FOR MANUFACTURING PURPOSES WITHOUT WRITTEN PERMISSION FROM THE AMPHENOL CORP.

UNLESS OTHERWISE SPECIFIED		APPROVALS		DATE
LINEAR DIMENSIONS ARE IN: MILLIMETERS		PREPARED BY:	GRACE YANG	2019-06-27
TOLERANCES: ANGLES= ±2° DEFAULT LINEAR TOLERANCES SEE TABLE		LEAD/PRODUCT ENGINEER:	LINK LI	
DIM. & TOL. PER ASME Y14.5M-1994; DRM PER MIL-DTL-31000; OTHER AMPHENOL STANDARDS: 9-9318		ENGINEERING MANAGER:	ROB WENG	
LEGENDS: △ =FLAG NOTE CALL OUT REFERENCE		PRODUCT GROUP:	C&I	
THIRD ANGLE PROJECTION		AIPG DIVISION:		
		MATERIAL SPEC	PROCESS SPEC	
		N/A	N/A	

AMPHENOL INDUSTRIAL OPERATIONS			
Amphenol Technology(Zhuhai)Co.,Ltd No.63, Xingnan Road, Sanzao Town, Jinwan, Zhuhai, PRC			
RECEPTACLE CONNECTOR UPC 2 PORTS(14mm)			
SIZE	CAGE CODE	DOCUMENT NUMBER	REV
C	77820	C10-747507-()2P	D
SCALE: 3:2	REF:	C10-747507	SHEET 1 OF 2

MFG PART NUMBER:

()10-747507-()2P

CODE NUMBER(MATCHED WITH MFG PART NUMBER):

UPCR022()()S1

TYPE OPTION

C: INCLUDING HVIL CONTACT
N: NOT INCLUDING HVILCONTACT

KEYWAY OPTION

A: W= 18, L=9
B : W= 13.5, L=3
C: W= -13.5, L=-3
D: W= -18, L=-9

CODE OF
KEYWAY OPTION

A: W= 18, L=9
B : W= 13.5, L=3
C: W= -13.5, L=-3
D: W= -18, L=-9

TYPE OPTION

L: INCLUDING HVIL CONTACT
N: NOT INCLUDING HVILCONTACT

SEPCIFICATION

CONTACT SIZE	14 MM(PIN CONTACT) / #20 (HVIL CONTACT)
CONTACT TEST CURRENT	450 Amps / 5 Amps
OPERATING VOLTAGE	1000V AC
OPERATING TEMPERATRUE	-40 °C TO 125 °
DIELECTRIC WITHATANDING VOLTAGE	3000V AC
NUMBER OF CANTACT	2&2
DURABILITY	100 (MIN)
WATER PROOF	IP67 (MATED)
FINGER PROOF	YES
HVIL	OPTIONAL
SALT SPRAY	96 H

THIS DOCUMENT CONTAINS PROPRIETARY INFORMATION AND SUCH INFORMATION MAY NOT BE DISCLOSED TO OTHERS FOR ANY PURPOSE OR USED FOR MANUFACTURING PURPOSES WITHOUT WRITTEN PERMISSION FROM THE AMPHENOL CORP.

SIZE	CAGE CODE	DOCUMENT NUMBER	REV
C	77820	C10-747507-()2P	D
SCALE: 2:1	REF: C10-747507	SHEET 2 OF 2	