

Thermal-Magnetic Circuit Breaker | TMC 42-01/42-02

Single pole thermal-magnetic circuit breaker with tease-free, triple-free, snap action mechanism and two button operation (M-type TMCBE to IEC 934). Featuring a narrow profile housing, recessed terminals, standard DIN-rail mounting and precision CBE performance.

Typical Applications

Circuit protection for process control systems, equipment manufacturers and instrumentation.

Approvals

Authority	Voltage Ratings	Current Ratings
VDE, Demko	AC 250V, DC 65V	0.10 to 16 A
UL 1077, CSA	AC 250V, DC 80V	0.10 to 16 A
ABS, BV, LRoS	AC 250V, DC 65V	0.3 to 16 A

Label Slot

ZB6 Marking System



Technical Data

Maximum Voltage Rating	AC 250V, 50/60 Hz; DC 80V	
Current Rating Range	42-01 : 0.10...16 A	
Typical Life	5,000 operations at 2xI _N	
Temperature Range	0° to 55°C (+32° to +131°F)	
Creepage Resistance	PTI 600 to IEC 112	
Insulation Co-ordination (IEC 664 and 664A)	Rated Impulse Withstand Voltage	Pollution Degree
Operating Area	4kV	3
Dielectric Strength (IEC 664 and 664A)	Test Voltage	
Operating Area	AC 4,000V (double insulation)	
Insulation Resistance		
Interrupting Capacity (VDE 0660, Part 101, P-2)	0.05 to 0.8 A	Self Limiting
	1 to 2 A	200 A
	2.5 to 16 A	400 A

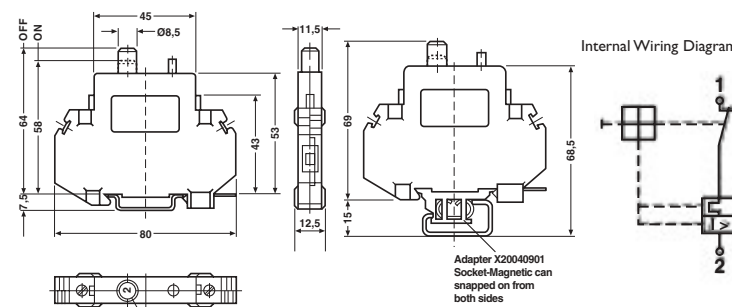
Interrupting Capacity (UL 1077/EN60934 PC1)	I _N	U _N	Self Limiting
	0.05 to 4.5 A	250 V AC	200 A
	0.05 to 16 A	250 V AC	1,000 A
	0.05 to 16 A	80 V DC	1,000 A

Environmental Protection (IEC 529/DIN 40050)	
Operating Area	IP 40, Terminal Area IP 20
Vibration	5g (57-50 Hz), +0.38 mm (10-57 Hz) to IEC 68-2-6, Test Ea
	Test Fc 10 frequency cycles/axis

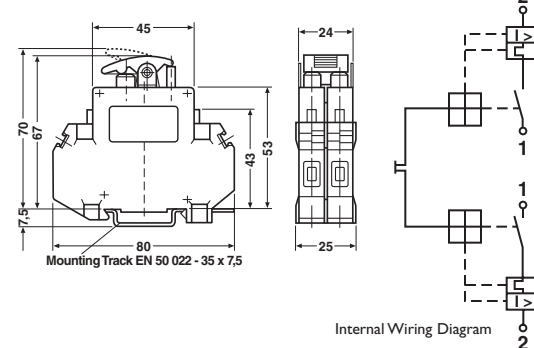
Shock	25g (11ms) to IEC 68-2-27, Test Ea
Corrosion	96 hours at 5% saltspray to IEC 68-2-11, Test Ka
Humidity	240 hours at 95% RH to IEC 68-2-3, Test Ca
Weight	Approx. 60g
Conductor Size	0.5-6mm ² (AWG 20-AWG 10)
Recommended Torque	0.8 Nm max
C-Rail Adapter	5650505

Dimensions

Single Pole



Double Pole

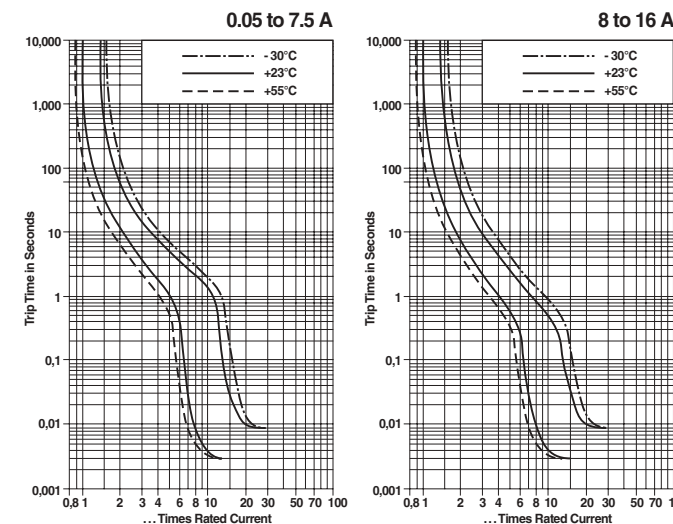


Standard current ratings and typical internal resistance values

Thermal-Magnetic Circuit Breakers					
Ohms	Current Rating	TMC 42-01 Single Pole		TMC 42-02 Double Pole	
		Type	Part#	Type	Part #
131.00	0.10	TMC42-01-0.1 A	5530915*	TMC42-02-0.1 A	5650123*
40.00	0.20	TMC42-01-0.2 A	5650102	TMC42-02-0.2 A	5650124*
19.30	0.30	TMC42-01-0.3 A	5650103*	TMC42-02-0.3 A	5650127*
10.40	0.40	TMC42-01-0.4 A	5530944*	TMC42-02-0.4 A	5531244*
7.10	0.50	TMC42-01-0.5 A	5650106	TMC42-02-0.5 A	5531257*
4.30	0.60	TMC42-01-0.6 A	5530960*	TMC42-02-0.6 A	5531260*
2.50	0.80	TMC42-01-0.8 A	5530986*	TMC42-02-0.8 A	5531286*
1.67	1.00	TMC42-01-1.0 A	5650108	TMC42-02-1.0 A	5531299
1.22	1.22	TMC42-01-1.2 A	5531008*	TMC42-02-1.2 A	5531309*
0.61	1.50	TMC42-01-1.5 A	5650109	TMC42-02-1.5 A	5650129*
0.55	1.80	TMC42-01-1.8 A	5650110*	TMC42-02-1.8 A	5531325*
0.38	2.00	TMC42-01-2.0 A	5600314	TMC42-02-2.0 A	5531388
0.24	2.50	TMC42-01-2.5 A	5650113*	TMC42-02-2.5 A	5650130*
0.19	3.00	TMC42-01-3.0 A	5650114	TMC42-02-3.0 A	5650131
0.16	3.50	TMC42-01-3.5 A	5531053*	TMC42-02-3.5 A	5531367*
0.09	4.00	TMC42-01-4.0 A	5531066	TMC42-02-4.0 A	5650134*
0.09	4.50	TMC42-01-4.5 A	5650115*	TMC42-02-4.5 A	5650135*
0.06	5.00	TMC42-01-5.0 A	5531082	TMC42-02-5.0 A	5651396
0.07	5.50	TMC42-01-5.5 A	5531095*	TMC42-02-5.5 A	5531406*
0.04	6.00	TMC42-01-6.0 A	5531105	TMC42-02-6.0 A	5650136*
0.04	6.50	TMC42-01-6.5 A	5650116*	TMC42-02-6.5 A	5650137*
0.03	7.00	TMC42-01-7.0 A	5650117*	TMC42-02-7.0 A	5531435*
0.02	8.00	TMC42-01-8.0 A	5650120	TMC42-02-8.0 A	5650138*
0.02	9.00	TMC42-01-9.0 A	5531147*	TMC42-02-9.0 A	5531451*
<0.02	10.00	TMC42-01-10 A	5650121	TMC42-02-10 A	5531464
<0.02	11.00	TMC42-01-11 A	5531163*	TMC42-02-11 A	5531477*
<0.02	12.00	TMC42-01-12 A	5650122*	TMC42-02-12 A	5650141*
<0.02	13.00	TMC42-01-13 A	5531189*	TMC42-02-13 A	5531493*
<0.02	14.00	TMC42-01-14 A	5531192*	TMC42-02-14 A	5531503*
<0.02	15.00	TMC42-01-15 A	5600310	TMC42-02-15 A	5600309
<0.02	16.00	TMC42-01-16 A	5531202	TMC42-02-16 A	5650142*

* Indicates breakers that are made-to-order and may require an 8 week lead time.

Typical time/current characteristics at 23°C



Direct Current – Magnetic tripping currents are increased by 30% in DC circuits with the effect of shifting the magnetic trip range 30% to the right of AC trip curves.

The time/current characteristic curve depends on the ambient temperature prevailing. In order to eliminate nuisance tripping, please multiply the circuit breaker current ratings by the derating factor shown below.

Ambient temperature	°F	-22	-4	14	32	73.4	104	122	140
	°C	-30	-20	-10	0	23	40	50	60
Derating factor		0.76	0.79	0.83	0.88	1	1.08	1.16	1.24