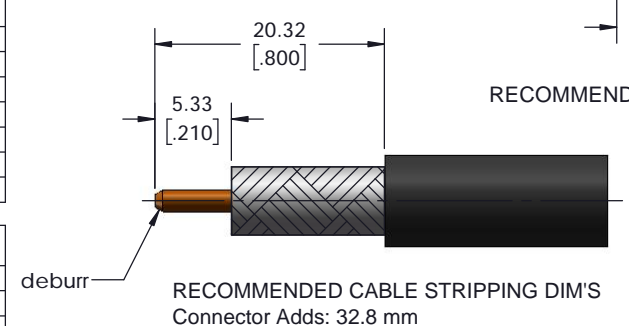
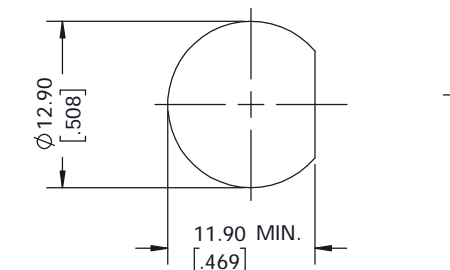
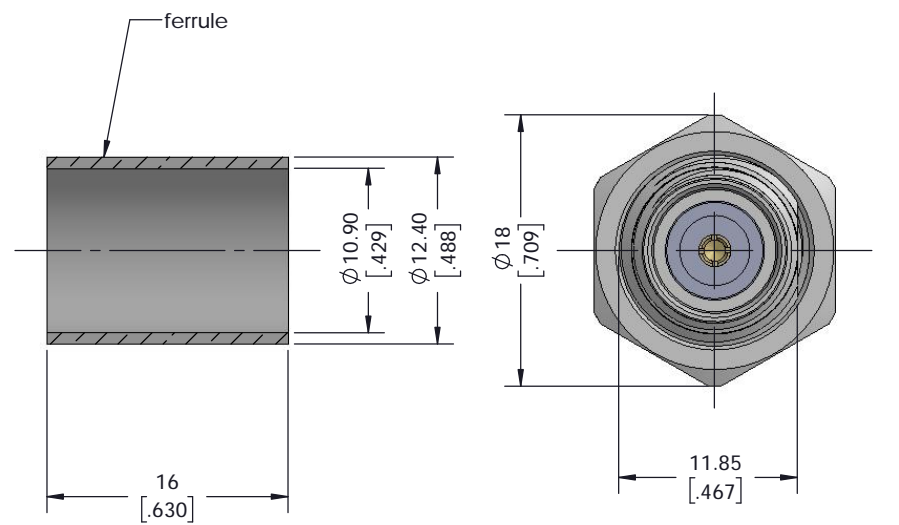
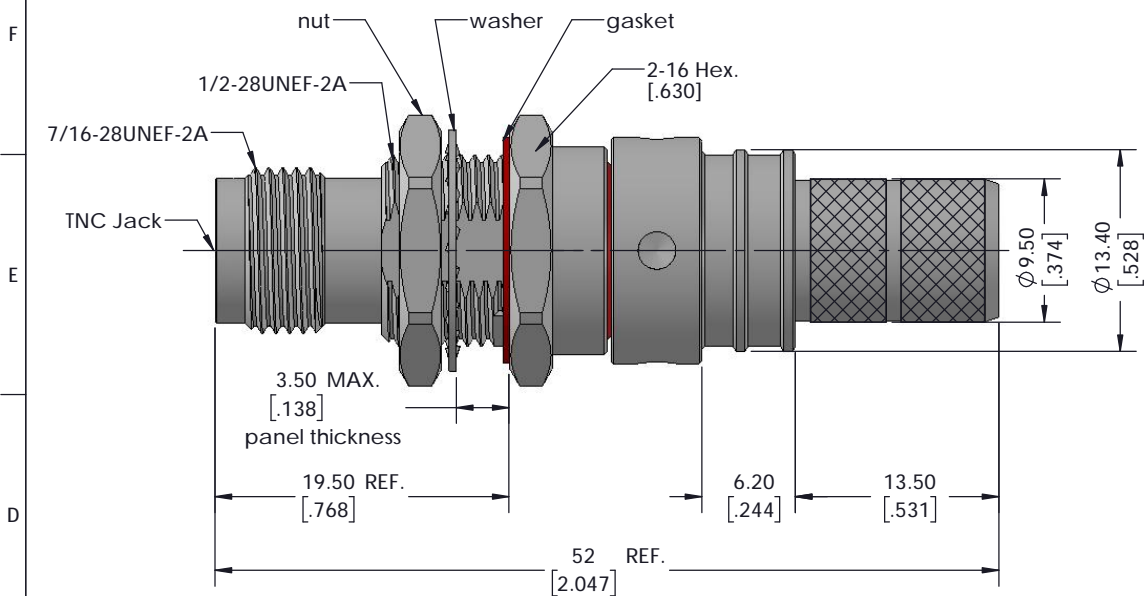


NOTICE OF PROPRIETARY RIGHTS: THIS DOCUMENT CONTAINS CONFIDENTIAL DATA, INCLUDING TRADE SECRETS, PROPRIETARY TO TIMES MICROWAVE SYSTEMS. DISCLOSURE OF THIS DATA IS EXPRESSLY CONDITIONED UPON YOUR ASSENT THAT ITS USE IS LIMITED TO USE WITHIN YOUR COMPANY ONLY. ANY OTHER USE IS STRICTLY PROHIBITED WITHOUT THE PRIOR WRITTEN CONSENT OF TIMES MICROWAVE SYSTEMS.

VER	Description	ECN	Name	Date
A	Initial Released	N/A	Patrick	2018/09/30



RECOMMENDED MOUNTING HOLE

Compatible with Standard: IEC 60169-17

I. MATERIALS & FINISHES			
Component	Material	Finishes	Thk. (u")
Body	Brass	Sn-Ni	100
Contact Pin	Beryllium Copper	Gold	50
Insulator	PTFE	--	--
Nut / Washer	Brass	Sn-Ni	100
Ferrule	Copper	Sn-Ni	100
Gasket	Silicone Rubber	--	--

II. ELECTRICAL PROPERTIES	
Impedance ( $\Omega$ ):	50
Frequency Range (GHz):	DC-8 GHz
Dielectric Withstanding Voltage (V r.m.s):	1500
Insulation Resistance (M $\Omega$ ):	$\geq 5000$
VSWR:	$\leq 1.30$ (DC-6 GHz)
	$\leq 1.35$ (6-8 GHz)
Insertion Loss (dB, f / GHz):	-0.1 x sqrt (f)

III. ENVIRONMENT PROPERTIES	
Temperature Range:	-40°C ~ +125°C
Thermal Shock:	MIL-STD-202, Meth. 107, Cond. B
Vibration:	MIL-STD-202, Meth. 204, Cond. B
Shock:	MIL-STD-202, Meth. 213, Cond. G
Climatic Class:	IEC 60068 55/155/21
RoHS:	Compliant

IV. MECHANICAL PROPERTIES	
Center Conductor:	Spring Captive
Outer Conductor:	Crimp
Coupling Nut Torque (in-lbs):	4.1-6.1
Cable-Connector Retention Force (lbs):	120
Durability (Cycles):	500

**V. Tooling & Accessories**  
 Stripping Tool: 3192-004/CST-400  
 Crimping Tool: 3190-666/CT-400/300  
 Heat Shrink Tube: 3/4"x2" (3:1) 1 pcs

<b>UNLESS OTHERWISE SPECIFIED</b>		DFTM Patrick	
ALL DIMENSIONS ARE IN mm MACHINED SURFACES FINISH 1.6 RMS MAX. REMOVE ALL BURRS 0.15X45° MAX. BREAK MACHINE CORNERS 0.15X45° D MAX. FILLET R. TOLERANCES ON DECIMALS X $\pm 0.1$ .XX $\pm 0.15$ ANGLES $\pm 2^\circ$ FRACTIONS $\pm N/A$		DATE 2018/09/30	
Scale:	3:1	Size: A3	DATE 2018/09/30
CODE IDENT	68999	DATE 2018/09/30	SHT 1/1
			3190-8024
			REV A