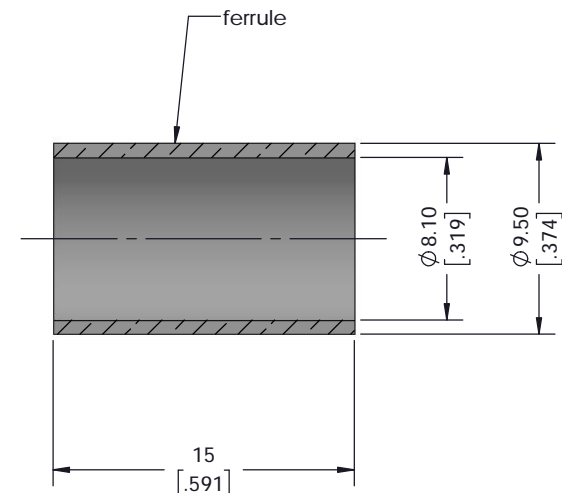
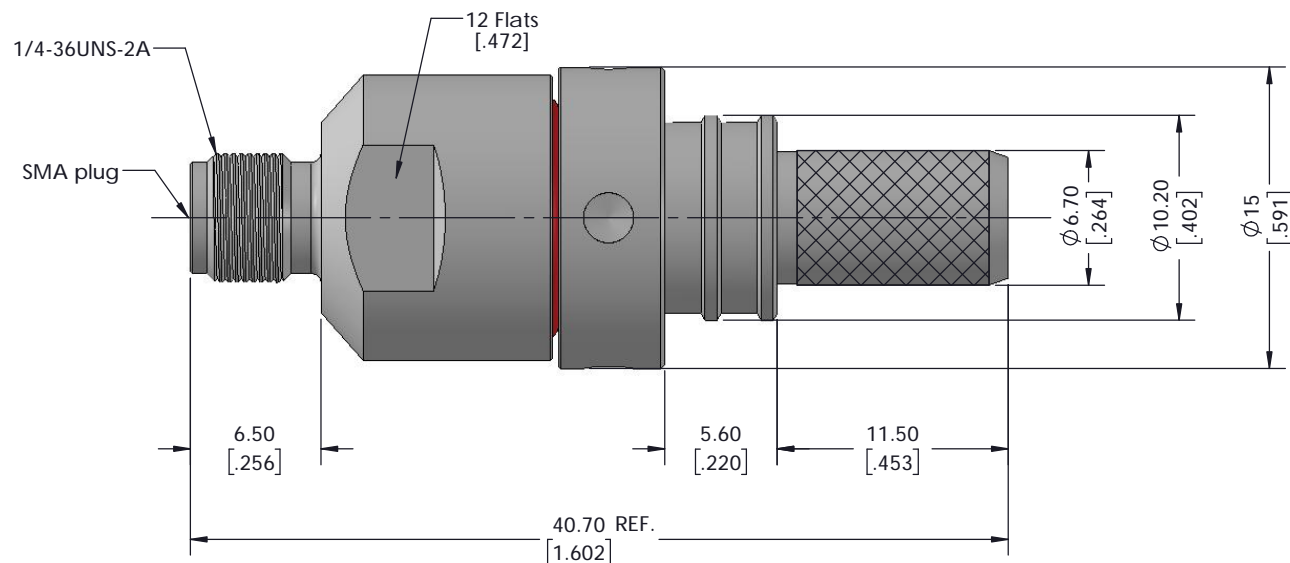


NOTICE OF PROPRIETARY RIGHTS: THIS DOCUMENT CONTAINS CONFIDENTIAL DATA, INCLUDING TRADE SECRETS, PROPRIETARY TO TIMES MICROWAVE SYSTEMS. DISCLOSURE OF THIS DATA IS EXPRESSLY CONDITIONED UPON YOUR ASSENT THAT ITS USE IS LIMITED TO USE WITHIN YOUR COMPANY ONLY. ANY OTHER USE IS STRICTLY PROHIBITED WITHOUT THE PRIOR WRITTEN CONSENT OF TIMES MICROWAVE SYSTEMS.

VER	Description	ECN	Name	Date
A	Initial Released	N/A	Patrick	2018/10/20



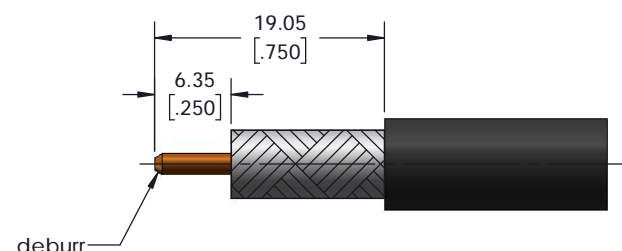
I. MATERIALS & FINISHES			
Component	Material	Finishes	Thk. (u")
Body	Brass	Sn-Ni	100
Contact Pin	Beryllium Copper	Gold	50
Insulator	PTFE	--	--
Ferrule	Brass	Sn-Ni	100

II. ELECTRICAL PROPERTIES	
Impedance (Ω):	50
Frequency Range (GHz):	DC-8 GHz
Dielectric Withstanding Voltage (V r.m.s):	1000
Insulation Resistance (MΩ):	≥5000
VSWR:	≤1.30 (DC-6 GHz)
	≤1.35 (6-8 GHz)
Insertion Loss (dB, f / GHz):	-0.1 x sqrt (f)

III. ENVIRONMENT PROPERTIES	
Temperature Range:	-40°C ~ +125°C
Thermal Shock:	MIL-STD-202, Meth. 107, Cond. B
Vibration:	MIL-STD-202, Meth. 204, Cond. D
Shock:	MIL-STD-202, Meth. 213, Cond. I
Climatic Class:	IEC 60068 55/155/21
RoHS:	Compliant

IV. MECHANICAL PROPERTIES	
Center Conductor:	Spring Captive
Outer Conductor:	Crimp
Coupling Nut Torque (in-lbs):	7.1-9.7
Cable-Connector Retention Force (lbs):	90
Durability (Cycles):	500

V. Tooling & Accessories
 Striping Tool: 3192-084/CST-300
 Crimping Tool: 3190-666/CT-400/300
 Heat Shrink Tube: 1/2"x1.5" (3:1) 1 pcs



RECOMMENDED CABLE STRIPPING DIM'S
 Connector Adds: 22.45 mm

Compatible with Standard: IEC 60169-15

UNLESS OTHERWISE SPECIFIED				DFTM	Patrick	 An Amphenol Company						
ALL DIMENSIONS ARE IN mm MACHINED SURFACES FINISH 1.6 RMS MAX. REMOVE ALL BURRS 0.15X45° MAX. BREAK MACHINE CORNERS 0.15X45° D MAX. FILLET R. TOLERANCES ON DECIMALS X ±0.1 .XX ±0.05 ANGLES ±2° FRACTIONS ±N/A				DATE	2018/10/20							
				CHKD	Monica	EZ-300-SF-X SMA Female (Jack) Straight Non-Solder Pin No Braid Trim Connector for LMR-300 Cable						
				DATE	2018/10/20							
				APPD	Joslen							
Scale:	4:1	Size:	A3	CODE IDENT	68999	DATE	2018/10/20	SHT	1/1	3190-8016	REV	A