

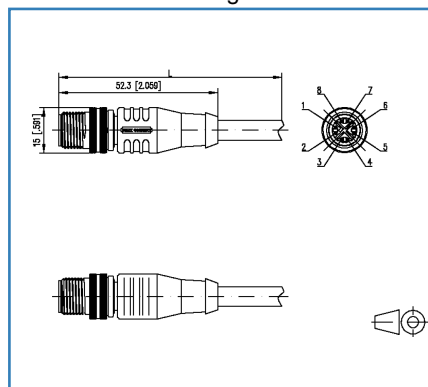
# Data sheet

## Connection cable M12 8-pole X-coded 0.5 m

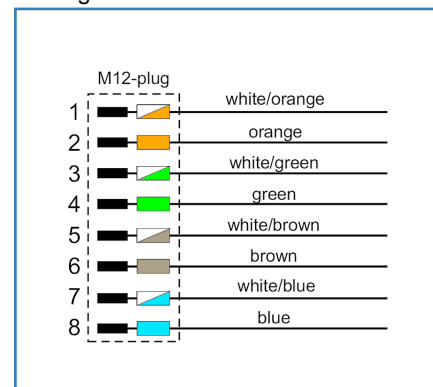
### Illustrations



Dimensional drawing



Wiring



See enlarged drawings at the end of document

### Product specification

- shielded M12 Ethernet connection cable
- Cat.6<sub>A</sub>, x-coded, 8-pole
- M12 connector, straight on free line end
- M12 connector over molded
- stranded wires 4x2xAWG26/7
- overall shield tinned copper braid
- green cable, PUR
- standard variants: 1.0 m, 2.0 m, 5.0 m, 10.0 m
- other cable lengths on request

### Technical Data

#### General Data

Fields of application	Industrial Ethernet
Design	Ethernet-Connection cable
Shielding	shielded
Transmission technology	Copper
Cable Type	S/FTP
Number of twisting elements	4
Twisting element	Pair
Color coding fiber/ wire(s)	white/orange, orange, white/green, green, white/brown, brown, white/blue, blue
Color	green
Dimensions	
Dimension - Interface 2 (L x W x H)	52.30 x 15.00 x 15.00 mm
Dimension - Interface 2 (L x W x H)	2.059 x 0.591 x 0.591 in.
Cable length (m)	0.50 m
Cable length (ft)	1.64 ft

#### Transmission characteristics

Category (ISO)	6 <sub>A</sub>
Transmission rate up to 10 GBit	IEEE 802.3an

#### Connections/interfaces

Connector technology interface 1	Free line end
Connector technology interface 2	M12-plug
Coding interface 2	X-coded
Number of positions/contacts interface 1	8P/8C
Number of positions/contacts interface 2	8
Termination data, stranded wire (min. - max.)	
Conductor cross section, stranded wire	AWG 26/7
Conductor cross section, stranded wire	0.141 mm <sup>2</sup>
Conductor diameter, stranded wire (bare copper)	0.483 mm
Conductor diameter, stranded wire (bare copper)	0.019 in.

### Technical Data

#### Electrical characteristics

Through resistance	max. 5 mOhm
Insulation resistance	min. 10 <sup>9</sup> MOhm

#### Materials and material properties

Material - Cable jacket	PUR
Material - Body interface 2	Plastics
Material - Contact interface 2	CuZn (brass)
Material - Contact finish interface 2	Au (gold)
Material - Contact carriers interface 2	Plastics
Material - Union nut interface 2	CuZn (brass)
Material - Union nut finish interface 2	Ni (nickel)
Material - Main shield	Cu (copper) braid
Material - Main shield finish	Sn (tin)
Flame retardancy	yes

#### Environmental conditions

Temperature (min. - max.)	
Temperature - Storage °C	-30 - 90 °C
Temperature - Storage °F	-22 - 194 °F
Temperature - Operating °C	-30 - 90 °C
Temperature - Operating °F	-22 - 194 °F
Particulate ingress interface 2	IP6X when plugged in
Liquid ingress/immersion interface 2	IPX7 when plugged in
Pollution degree interface 2	2

#### Approvals

RoHS	compliant
------	-----------

#### The product meets the following standards

Generic cabling systems	
General requirements	ISO/IEC 11801-1   DIN EN 50173-1
Profinet	yes
Multi-element metallic cables used in analogue and digital communication and control	DIN EN 50288-4-1
Test for vertical flame propagation for a single insulated wire or cable	DIN EN 60332-1-2



## Technical Data

### The product meets the following standards

Measurement of smoke density of cables burning	DIN EN 61034
--	--------------

### Classifications

ETIM 5.0	EC002599
----------	----------

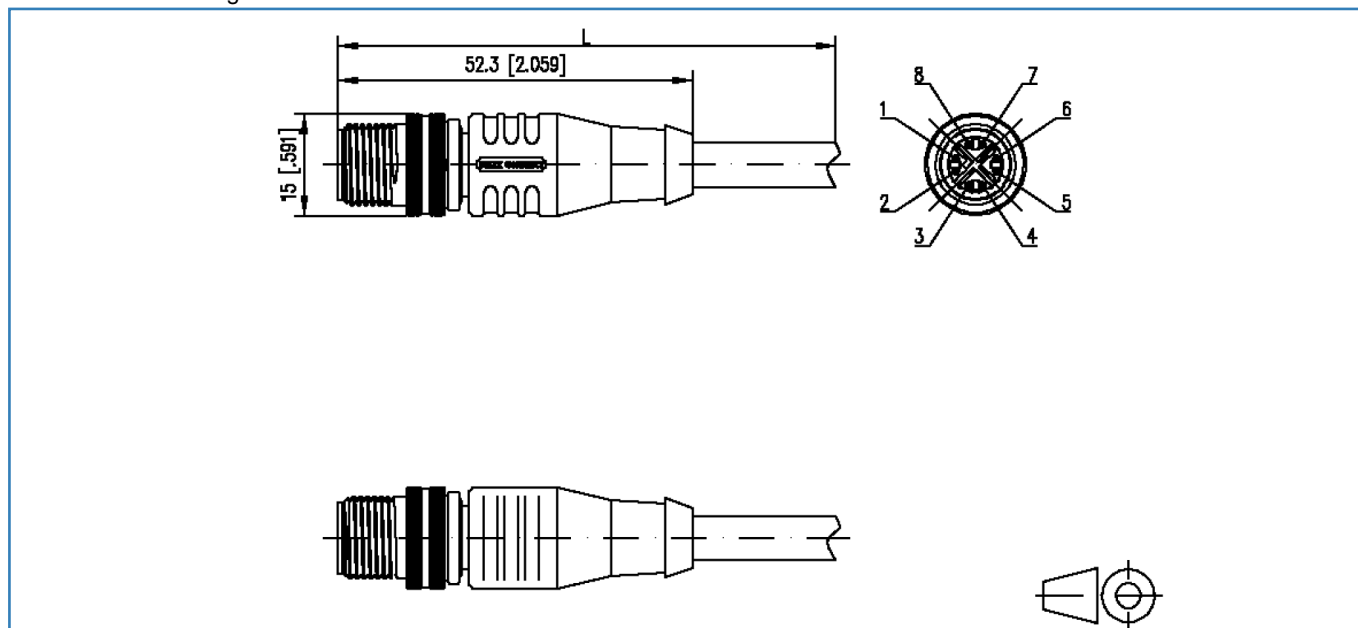
### Packing details

Type of packaging	1 pc(s) / plastic bag
Packaging unit - Weight (gram)	77.00 g
Packaging unit - Weight (pound)	0.17 lb



### Illustrations

Dimensional drawing



Wiring

