

EKPL 230 T



Sample image

Order symbol : EKPL 230 T

Product nr : 2538164

Description : Enclosure, PC

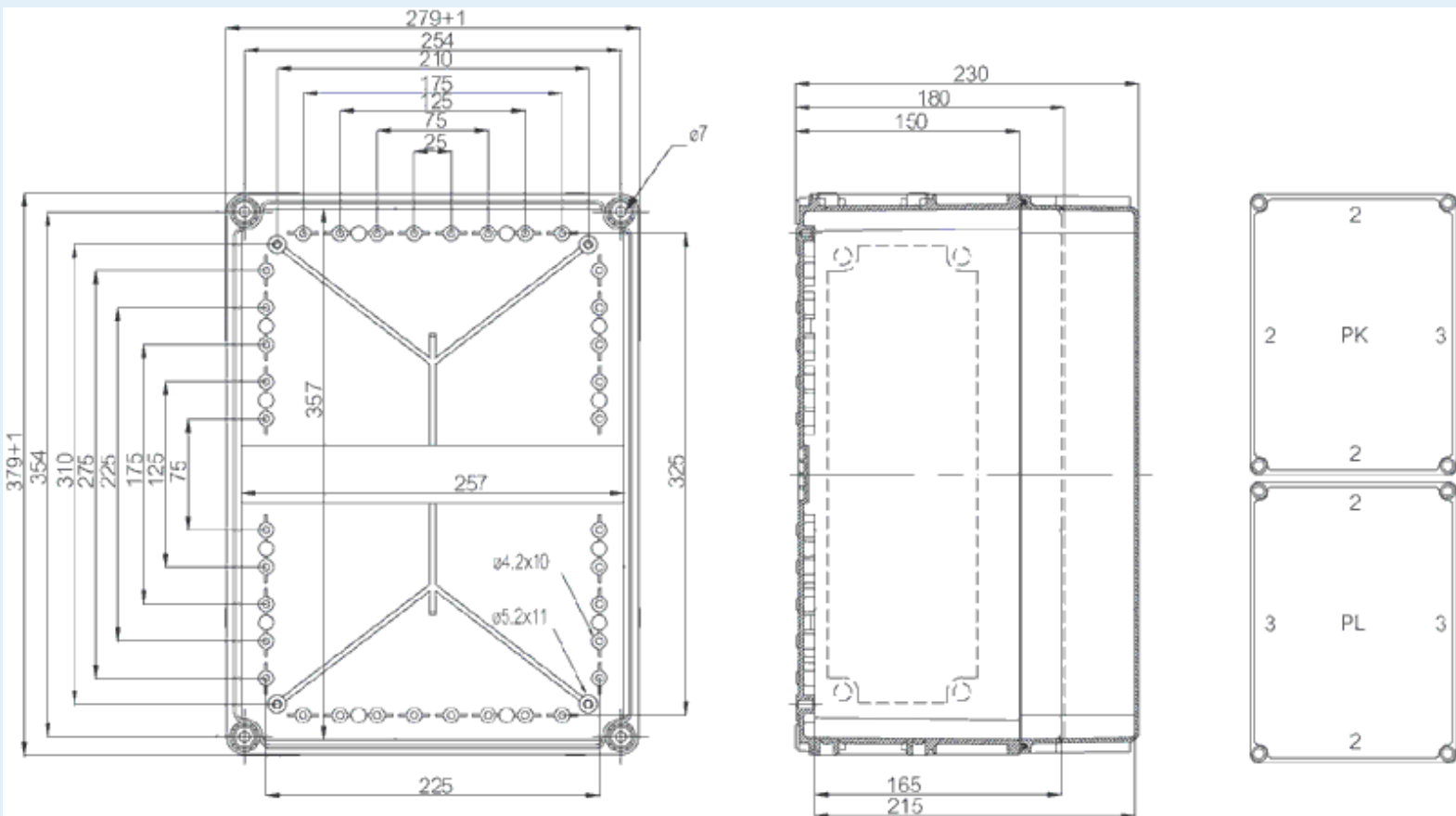
Remarks : Transparent cover

EAN : 6418074013927

El. number :

- Finland : 3425481
- Denmark : 8212051030
- Sweden : 2538164

Including : Flanged Base with screws for mounting plate. cover with PUR gasket and polyamide cover screws.



Dimensions :	Height	Width	Depth
mm :	380	280	230
inch :	14.96	11.02	9.06

Accessories :	
EKV 32	DIN-35 Mounting rail, for enclosures: (335 x 35 x 1)
EKV 22	DIN-35 Mounting rail, for enclosures:

Materials :

Material :	Polycarbonate
Base colour :	RAL_7035
Cover colour :	Clear transparent
Gasket material :	Polyurethane

Temperatures :

Temperature °C (continuous) :	-40 ... 80
Temperature °F (continuous) :	-40 ... 175

(235 x 35 x 1)

EKPZR	Extension frame, for enclosures: (380 x 280 x 50)
EKPVT	Mounting plate, for enclosures: (338 x 238 x 1)
MPI EKP 3828	Multiperforated plastic mounting plate (338 x 238 x 4)

Ratings :

Ingress protection (EN 60529):	IP66; IP67;
Impact Resistance (EN 62262):	IK08;
electrical_insulation :	Totally insulated
Halogen free (DIN/VDE 0472, Part 815) :	Yes
UV resistance :	UL 746C
Flammability Rating :	UL 94 V0
Glow Wire Test (IEC 695-2-1) °C :	960C

Certificates :

SGSFIMKO_EK