

**SAIE-M23-S-VW****Weidmüller Interface GmbH & Co. KG**

Klingenbergstraße 26

D-32758 Detmold

Germany

www.weidmueller.com



The M23 round plug-in connectors offer a high number of mating cycles, high current-carrying capacity and high contact-density coupled with minimum dimensions. Enclosures, inserts and crimp contacts need to be ordered separately.

**General ordering data**

Version	Sensor/Actuator plug-in connector, Built-in plugs, Empty enclosure
Order No.	<a href="#">1169940000</a>
Type	SAIE-M23-S-VW
GTIN (EAN)	4032248962013
Qty.	1 pc(s).

Creation date February 5, 2024 4:15:21 PM CET

Catalogue status 27.01.2024 / We reserve the right to make technical changes.

**SAIE-M23-S-VW****Weidmüller Interface GmbH & Co. KG**

Klingenbergstraße 26

D-32758 Detmold

Germany

www.weidmueller.com

**Technical data****Dimensions and weights**

Net weight 24 g

**Technical data customisable plug-in connectors**

Housing main material	Copper-zinc alloy	Pollution severity	3
Protection degree	IP67, IP69K	Shield connection	Yes
Temperature range of housing	-40...+125 °C		

**Classifications**

ETIM 6.0	EC000437	ETIM 7.0	EC003556
ETIM 8.0	EC003556	ETIM 9.0	EC003556
ECLASS 9.1	27-44-02-02	ECLASS 10.0	27-44-02-24
ECLASS 11.0	27-44-02-24	ECLASS 12.0	27-44-02-24
ECLASS 13.0	27440224		

**Environmental Product Compliance**

REACH SVHC	Lead 7439-92-1
SCIP	ebf89fc8-a87f-4691-b87a-dfb9921774b4

**Approvals**

Approvals



ROHS	Conform
UL File Number Search	UL Website
Certificate No. (UR)	E344862

**Downloads**

Engineering Data	<a href="#">CAD data – STEP</a>
Catalogues	<a href="#">Catalogues in PDF-format</a>
Brochures	<a href="#">FL FIELDWIRING EN</a> <a href="#">FL FIELDWIRING EN</a>

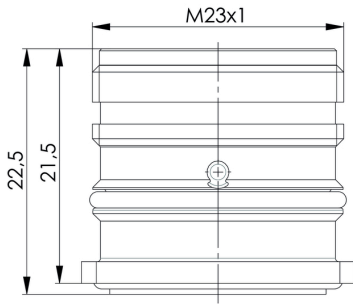
**SAIE-M23-S-VW**

**Weidmüller Interface GmbH & Co. KG**  
Klingenbergstraße 26  
D-32758 Detmold  
Germany

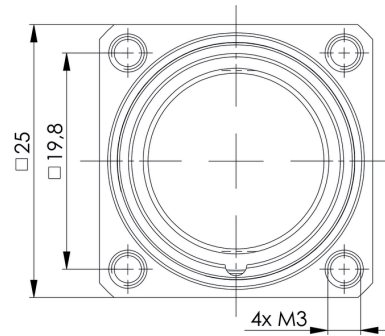
[www.weidmueller.com](http://www.weidmueller.com)

**Drawings**

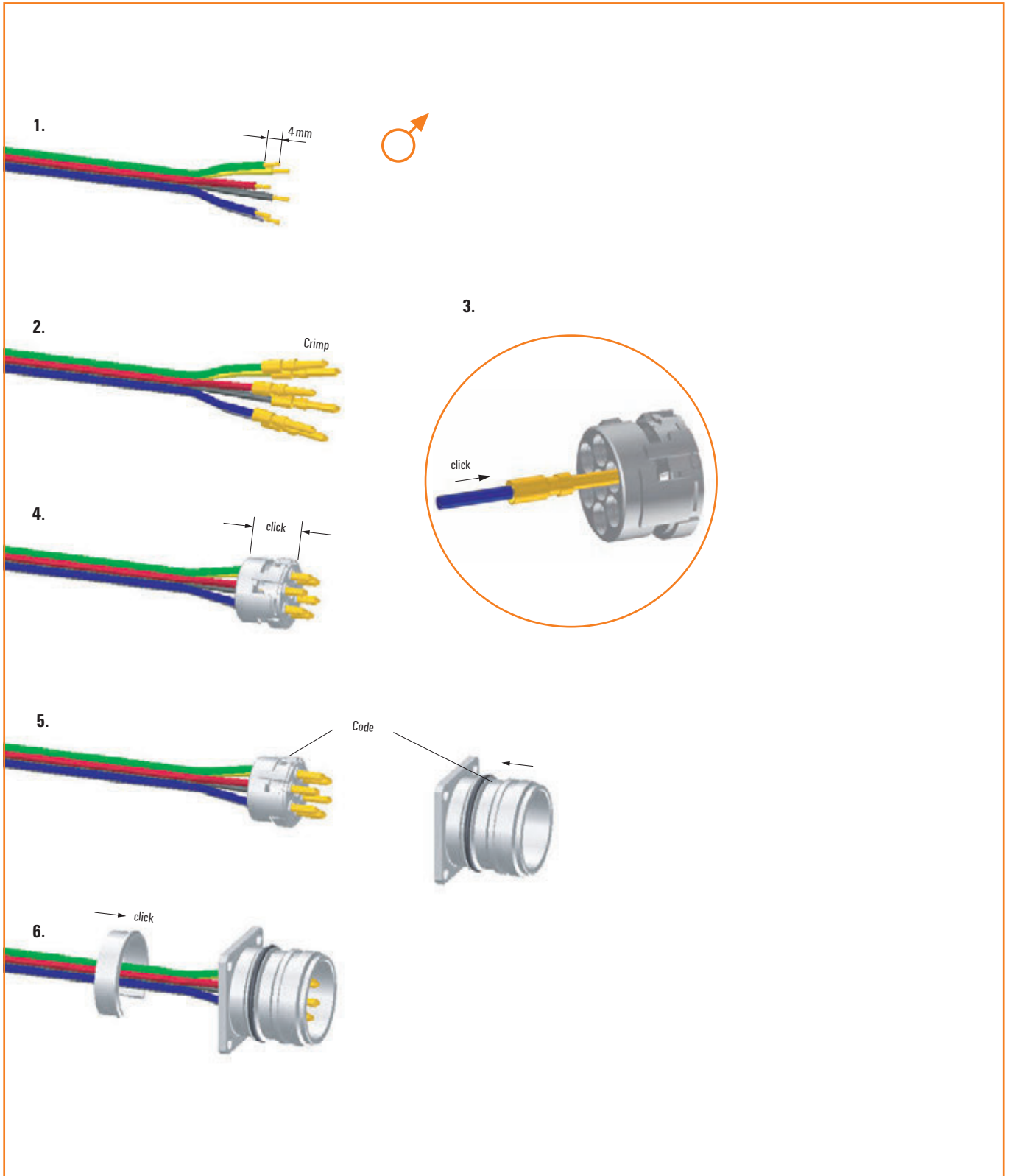
**Dimensioned drawing**



**Dimensioned drawing**



# Device connector, male



F