

SAI-Y-4S-M12/M12

Weidmüller Interface GmbH & Co. KG
Klingenbergstraße 26
D-32758 Detmold
Germany

www.weidmueller.com



General ordering data

Version	Y-plug, M12 / M12
Order No.	1060730000
Type	SAI-Y-4S-M12/M12
GTIN (EAN)	4032248810192
Qty.	1 pc(s).

SAI-Y-4S-M12/M12

Weidmüller Interface GmbH & Co. KG
 Klingenbergstraße 26
 D-32758 Detmold
 Germany

www.weidmueller.com

Technical data**Dimensions and weights**

Net weight 23 g

Connection data

Group outlet - plug-in connector	M12 pin	Single outlet 1 - plug-in connector	M12 socket
Single outlet 2 - plug-in connector	M12 socket	Tightening torque	M12: 0.8 - 1.2 Nm

Technical data customisable plug-in connectors

Coding	A-coded	Contact surface	Au (Gold)
Housing main material	PBT	Number of poles	4
Pollution severity	3	Protection degree	IP67
Rated current	4 A	Rated voltage	24 V
Shield connection	No	Temperature range of housing	-25...+90 °C

Standards

Connector standard IEC 61076-2-101

General data

Coding	A-coded	Conductor O.D.	-
Connection thread	M12 / M12	Contact material, pin	CuZn
Contact material, socket	CuSn	Contact surface	Au (Gold)
Housing main material	PBT	Number of poles	4
Pollution severity	3	Protection degree	IP67
Rated current	4 A	Rated voltage	24 V
Shield connection	No	Temperature range of housing	-25...+90 °C

Classifications

ETIM 6.0	EC002925	ETIM 7.0	EC002925
ETIM 8.0	EC002925	ETIM 9.0	EC002925
ECLASS 9.0	27-44-01-06	ECLASS 9.1	27-44-01-06
ECLASS 10.0	27-44-01-06	ECLASS 11.0	27-44-01-06
ECLASS 12.0	27-44-01-06	ECLASS 13.0	27440106

Approvals

Approvals



ROHS Conform

Downloads

Engineering Data	CAD data – STEP
Catalogues	Catalogues in PDF-format
Brochures	FL FIELDWIRING EN FL FIELDWIRING EN

Creation date February 5, 2024 4:17:19 PM CET

Catalogue status 27.01.2024 / We reserve the right to make technical changes.

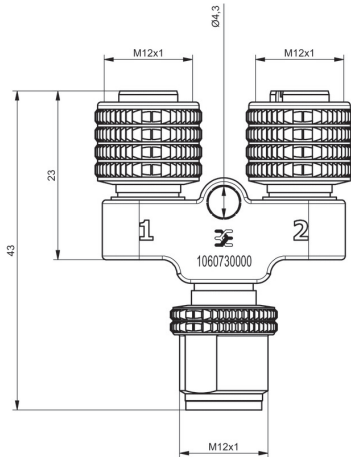
SAI-Y-4S-M12/M12

Weidmüller Interface GmbH & Co. KG
 Klingenbergstraße 26
 D-32758 Detmold
 Germany

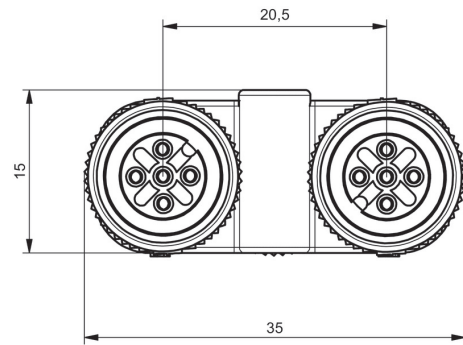
www.weidmueller.com

Drawings

Dimensioned drawing



Dimensioned drawing



Wiring diagram

1. Female M12 2. Female M12

