

## AP 110 OR

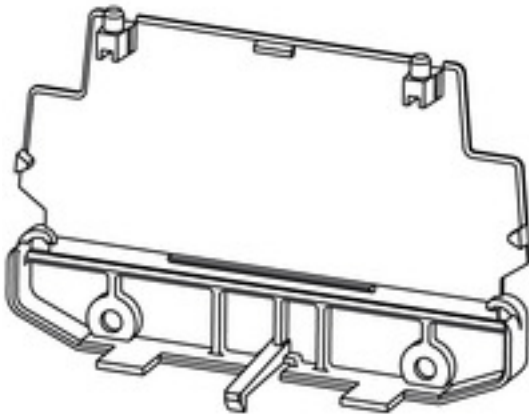
**Weidmüller Interface GmbH & Co. KG**

Klingenbergstraße 26

D-32758 Detmold

Germany

www.weidmueller.com



### Flexible - More flexible - Profilform

Modular housings in profile form - the flexible modular system comprising coloured and transparent plastic profiles and carrier modules

The combination of standard pitches mounted side by side in any arrangement and metre goods cut accurate to the millimetre creates the perfect balance between flexibility and economic efficiency:

- Pitch profiles with standard widths ranging from 5mm to 45mm allow the mounting of all standard PCB formats.
- Variable heights ensure maximum component density, even with larger electronics components.
- The different installation variations mean that mounting the enclosure directly is as easy as clipping components onto the terminal rail
- Solid hoods protect the module reliably from external influences

The recipe for success: variable profile + modular form components = flexible enclosure concept that offers a large surface area for the PCBs.

The modular concept is designed for modules with high space requirements and suitable for small component quantities and different widths.

### General ordering data

Version	End plate, RS 100 orange, End plate both sides, Width: 27.2 mm
Order No.	<a href="#">1185260000</a>
Type	AP 110 OR
GTIN (EAN)	4008190005115
Qty.	10 pc(s).

## AP 110 OR

Weidmüller Interface GmbH &amp; Co. KG

Klingenbergstraße 26

D-32758 Detmold

Germany

www.weidmueller.com

## Technical data

## Dimensions and weights

Height	73.6 mm	Height (inches)	2.898 inch
Width	27.2 mm	Width (inches)	1.071 inch
Net weight	14.403 g		

## Material data

Comparative Tracking Index (CTI)	600 ≤ CTI	Insulating material	PA 66
UL 94 flammability rating	V-2		

## General data

Colour	orange	Colour chart (similar)	RAL 2000
Encapsulation option	No	Protection degree	IP20 in installed state

## Classifications

ETIM 6.0	EC001031	ETIM 7.0	EC001031
ETIM 8.0	EC001031	ETIM 9.0	EC001031
ECLASS 9.0	27-18-27-90	ECLASS 9.1	27-18-27-90
ECLASS 10.0	27-18-27-92	ECLASS 11.0	27-18-27-92
ECLASS 12.0	27-18-27-92	ECLASS 13.0	27182792

## Approvals

Approvals



ROHS Conform

## Downloads

Engineering Data	<a href="#">CAD data – STEP</a>
Catalogues	<a href="#">Catalogues in PDF-format</a>
Brochures	<a href="#">FL ANALO.SIGN.CONV. EN</a> <a href="#">MB DEVICE MANUF. EN</a> <a href="#">FL MACHINE SAFETY EN</a> <a href="#">FL 72H SAMPLE SER EN</a> <a href="#">PO OMNIMATE EN</a> <a href="#">PO OMNIMATE EN</a>

**AP 110 OR**

**Weidmüller Interface GmbH & Co. KG**  
 Klingenbergstraße 26  
 D-32758 Detmold  
 Germany

[www.weidmueller.com](http://www.weidmueller.com)

**Drawings**

RAIL MOUNTING  
 FOR BOTH SIDES (RIGHT AND LEFT)

