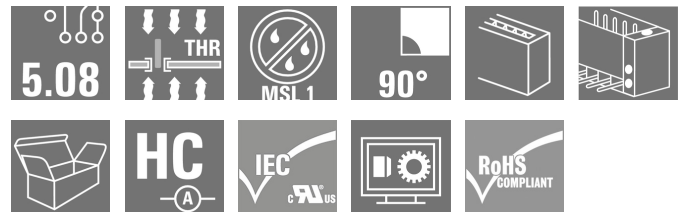


**SL-SMT 5.08HC/02/90F 3.2SN BK BX**

**Weidmüller Interface GmbH & Co. KG**  
 Klingenbergstraße 26  
 D-32758 Detmold  
 Germany

www.weidmueller.com



High-temperature-resistant pin header, packed in box or tape. On tape, with 1.5 mm solder pin, optimised for automatic assembly. 3.2 mm solder pin suitable for reflow and wave soldering. The pin headers provide space for labelling and can be coded. HC = High Current.

**General ordering data**

|              |  |
|--------------|--|
| Version      | PCB plug-in connector, male header, Flange, THT/THR solder connection, 5.08 mm, Number of poles: 2, 90°, Solder pin length (l): 3.2 mm, tinned, black, Box |
| Order No.    | <a href="#">1837630000</a>   |
| Type         | SL-SMT 5.08HC/02/90F 3.2SN BK BX   |
| GTIN (EAN)   | 4032248347445  |
| Qty.         | 90 pc(s).  |
| Product data | IEC: 400 V / 27.5 A<br>UL: 300 V / 20 A  |
| Packaging    | Box  |

Creation date February 5, 2024 4:16:03 PM CET

**SL-SMT 5.08HC/02/90F 3.2SN BK BX**

**Weidmüller Interface GmbH & Co. KG**  
 Klingenbergstraße 26  
 D-32758 Detmold  
 Germany

www.weidmueller.com

**Technical data**
**Dimensions and weights**

|                          |          |                 |            |
|--------------------------|----------|-----------------|------------|
| Depth                    | 12 mm    | Depth (inches)  | 0.472 inch |
| Height                   | 11.7 mm  | Height (inches) | 0.461 inch |
| Height of lowest version | 8.5 mm   | Width           | 20.32 mm   |
| Width (inches)           | 0.8 inch | Net weight      | 1.894 g    |

**System specifications**

|  |  |                     |  |
|--|--|---------------------|--|
| Product family                               | OMNIMATE Signal - series BL/SL 5.08              |                     |  |
| Type of connection                           | Board connection                                 |                     |  |
| Mounting onto the PCB                        | THT/THR solder connection                        |                     |  |
| Pitch in mm (P)                              | 5.08 mm  |                     |  |
| Pitch in inches (P)                          | 0.2 "  |                     |  |
| Outgoing elbow                               | 90°  |                     |  |
| Number of poles                              | 2  |                     |  |
| Number of solder pins per pole               | 1  |                     |  |
| Solder pin length (l)                        | 3.2 mm   |                     |  |
| Solder pin length tolerance                  | 0 / -0.3 mm                                      |                     |  |
| Solder pin dimensions                        | d = 1.2 mm, Octagonal                            |                     |  |
| Solder eyelet hole diameter (D)              | 1.5 mm   |                     |  |
| Solder eyelet hole diameter tolerance (D)    | + 0,1 mm   |                     |  |
| L1 in mm                                     | 5.08 mm  |                     |  |
| L1 in inches                                 | 0.2 "  |                     |  |
| Number of rows                               | 1  |                     |  |
| Pin series quantity                          | 1  |                     |  |
| Touch-safe protection acc. to DIN VDE 57 106 | finger-safe unplugged/ back-of-hand-safe plugged |                     |  |
| Touch-safe protection acc. to DIN VDE 0470   | IP20 plugged/ IP10 unplugged                     |                     |  |
| Protection degree                            | IP20   |                     |  |
| Volume resistance                            | ≤5 mΩ  |                     |  |
| Can be coded                                 | Yes  |                     |  |
| Plugging force/pole, max.                    | 9 N  |                     |  |
| Pulling force/pole, max.                     | 7 N  |                     |  |
| Tightening torque                            | Torque type                                      | Mounting screw, PCB |  |
|  | Usage information                                | Tightening torque   | min. 0.15 Nm<br>max. 0.2 Nm                        |
|  |  | Recommended screw   | Part number <a href="#">PTSC KA 2.2X4.5 WN1412</a> |

**Material data**

|                                       |                                |                                       |                                |
|---------------------------------------|--------------------------------|---------------------------------------|--------------------------------|
| Insulating material                   | LCP GF                         | Colour                                | black                          |
| Colour chart (similar)                | RAL 9011                       | Insulating material group             | IIIa                           |
| Comparative Tracking Index (CTI)      | ≥ 175                          | Moisture Level (MSL)                  | 1                              |
| UL 94 flammability rating             | V-0                            | Contact material                      | Cu-alloy                       |
| Contact surface                       | tinned                         | Layer structure of solder connection  | 1...3 µm Ni / 2...4 µm Sn matt |
| Layer structure of plug contact       | 1...3 µm Ni / 2...4 µm Sn matt | Storage temperature, min.             | -40 °C                         |
| Storage temperature, max.             | 70 °C                          | Operating temperature, min.           | -50 °C                         |
| Operating temperature, max.           | 100 °C                         | Temperature range, installation, min. | -30 °C                         |
| Temperature range, installation, max. | 100 °C                         |                                       |                                |

Creation date February 5, 2024 4:16:03 PM CET

Catalogue status 27.01.2024 / We reserve the right to make technical changes.

## SL-SMT 5.08HC/02/90F 3.2SN BK BX

**Weidmüller Interface GmbH & Co. KG**  
 Klingenbergstraße 26  
 D-32758 Detmold  
 Germany


www.weidmueller.com

## Technical data


### Rated data acc. to IEC

|   |                        |   |        |
|---|------------------------|---|--------|
| tested acc. to standard   | IEC 60664-1, IEC 61984 | Rated current, min. number of poles (Tu=20°C)                         | 27.5 A |
| Rated current, max. number of poles (Tu=20°C)                             | 19 A                   | Rated current, min. number of poles (Tu=40°C)                         | 24 A   |
| Rated current, max. number of poles (Tu=40°C)                             | 16.5 A                 | Rated voltage for surge voltage class / pollution degree II/2         | 400 V  |
| Rated voltage for surge voltage class / pollution degree III/2            | 320 V                  | Rated voltage for surge voltage class / pollution degree III/3        | 250 V  |
| Rated impulse voltage for surge voltage class/ pollution degree II/2      | 4 kV                   | Rated impulse voltage for surge voltage class/ pollution degree III/2 | 4 kV   |
| Rated impulse voltage for surge voltage class/ contamination degree III/3 | 4 kV                   |   |        |

### Rated data acc. to CSA

|                                   |   |                                   |                |
|-----------------------------------|---|-----------------------------------|----------------|
| Institute (CSA)                   |  | Certificate No. (CSA)             | 200039-1176845 |
| Rated voltage (Use group B / CSA) | 300 V   | Rated voltage (Use group D / CSA) | 300 V          |
| Rated current (Use group B / CSA) | 18.5 A  | Rated current (Use group D / CSA) | 18.5 A         |
| Reference to approval values      | Specifications are maximum values, details - see approval certificate.            |                                   |                |

### Rated data acc. to UL 1059

|                                       |   |                                       |        |
|---------------------------------------|---|---------------------------------------|--------|
| Institute (UR)                        |  | Certificate No. (UR)                  | E60693 |
| Rated voltage (Use group B / UL 1059) | 300 V   | Rated voltage (Use group D / UL 1059) | 300 V  |
| Rated current (Use group B / UL 1059) | 20 A  | Rated current (Use group D / UL 1059) | 10 A   |
| Reference to approval values          | Specifications are maximum values, details - see approval certificate.              |                                       |        |

### Packing

|           |        |            |        |
|-----------|--------|------------|--------|
| Packaging | Box    | VPE length | 341 mm |
| VPE width | 135 mm | VPE height | 22 mm  |

### Classifications

|             |             |             |             |
|-------------|-------------|-------------|-------------|
| ETIM 6.0    | EC002637    | ETIM 7.0    | EC002637    |
| ETIM 8.0    | EC002637    | ETIM 9.0    | EC002637    |
| ECLASS 9.0  | 27-44-04-02 | ECLASS 9.1  | 27-44-04-02 |
| ECLASS 10.0 | 27-44-04-02 | ECLASS 11.0 | 27-46-02-01 |
| ECLASS 12.0 | 27-46-02-01 | ECLASS 13.0 | 27460201    |

## SL-SMT 5.08HC/02/90F 3.2SN BK BX

Weidmüller Interface GmbH & Co. KG  
Klingenbergstraße 26  
D-32758 Detmold  
Germany

www.weidmueller.com

## Technical data

## Important note

|                |  |
|----------------|--|
| IPC conformity | Conformity: The products are developed, manufactured and delivered according international recognized standards and norms and comply with the assured properties in the data sheet resp. fulfill decorative properties in accordance with IPC-A-610 "Class 2". Further claims on the products can be evaluated on request.   |
| Notes          | <ul style="list-style-type: none"> <li>• Gold-plated contact surfaces on request</li> <li>• Rated current related to rated cross-section &amp; min. No. of poles.</li> <li>• Diameter of solder eyelet D = 1.4+0.1mm</li> <li>• Solder eyelet diameter D = 1.5 + 0.1 mm, from 9 poles</li> <li>• P on drawing = pitch</li> <li>• Rated data refer only to the component itself. Clearance and creepage distances to other components are to be designed in accordance with the relevant application standards.</li> <li>• In accordance with IEC 61984, OMNIMATE-connectors are connectors without breaking capacity (COC). During designated use, connectors are not allowed to be engaged or disengaged when live or under load</li> <li>• Long term storage of the product with average temperature of 50 °C and maximum humidity 70%, 36 months</li> </ul> |

## Approvals

Approvals



|                       |            |
|-----------------------|------------|
| ROHS                  | Conform    |
| UL File Number Search | UL Website |
| Certificate No. (UR)  | E60693     |

## Downloads

|   |  |
|---|--|
| Approval/Certificate/Document of Conformity | <a href="#">Declaration of the Manufacturer</a>  |
| Engineering Data                            | <a href="#">CAD data – STEP</a>  |
| Product Change Notification                 | <a href="#">PCN_2017_164_PL30_Gerichtete_Verpackung_SL-SMT5.0x_DE</a><br><a href="#">PCN_2017_164_PL30_Sorted_Packaging_SL-SMT5.0x_EN</a>  |
| Catalogues                                  | <a href="#">Catalogues in PDF-format</a>   |
| Brochures                                   | <a href="#">FL DRIVES EN</a><br><a href="#">MB SMT EN</a><br><a href="#">FL DRIVES DE</a><br><a href="#">MB DEVICE MANUF. EN</a><br><a href="#">FL BUILDING SAFETY EN</a><br><a href="#">FL APPL LED LIGHTING EN</a><br><a href="#">FLIndustr.CONTROLS EN</a><br><a href="#">FL MACHINE SAFETY EN</a><br><a href="#">FL HEATING ELECTR EN</a><br><a href="#">FL APPL INVERTER EN</a><br><a href="#">FL_BASE_STATION_EN</a><br><a href="#">FL ELEVATOR EN</a><br><a href="#">FL POWER SUPPLY EN</a><br><a href="#">FL 72H SAMPLE SER EN</a><br><a href="#">PO OMNIMATE EN</a><br><a href="#">PO OMNIMATE EN</a> |
| White paper surface mount technology        | <a href="#">Download Whitepaper</a>  |

Creation date February 5, 2024 4:16:03 PM CET

Catalogue status 27.01.2024 / We reserve the right to make technical changes.

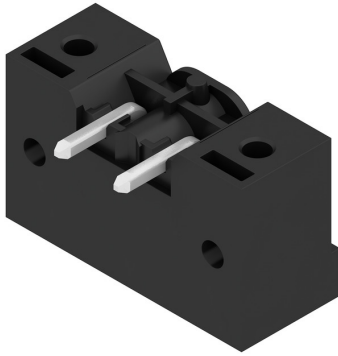
**SL-SMT 5.08HC/02/90F 3.2SN BK BX**

**Weidmüller Interface GmbH & Co. KG**  
 Klingenbergstraße 26  
 D-32758 Detmold  
 Germany

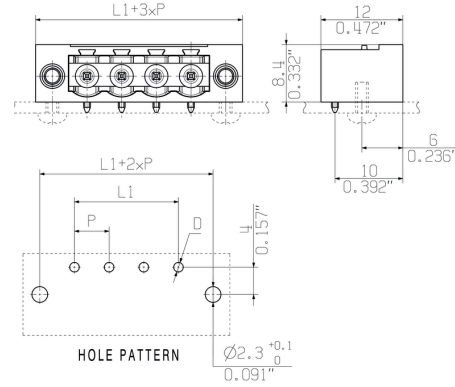
[www.weidmueller.com](http://www.weidmueller.com)

**Drawings**

**Product image**



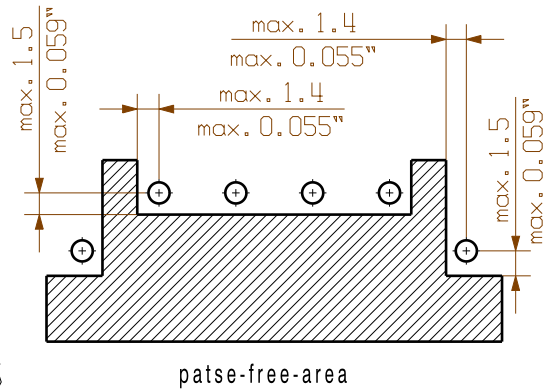
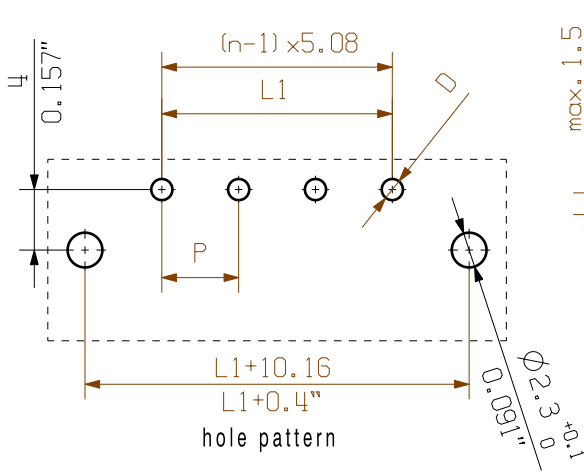
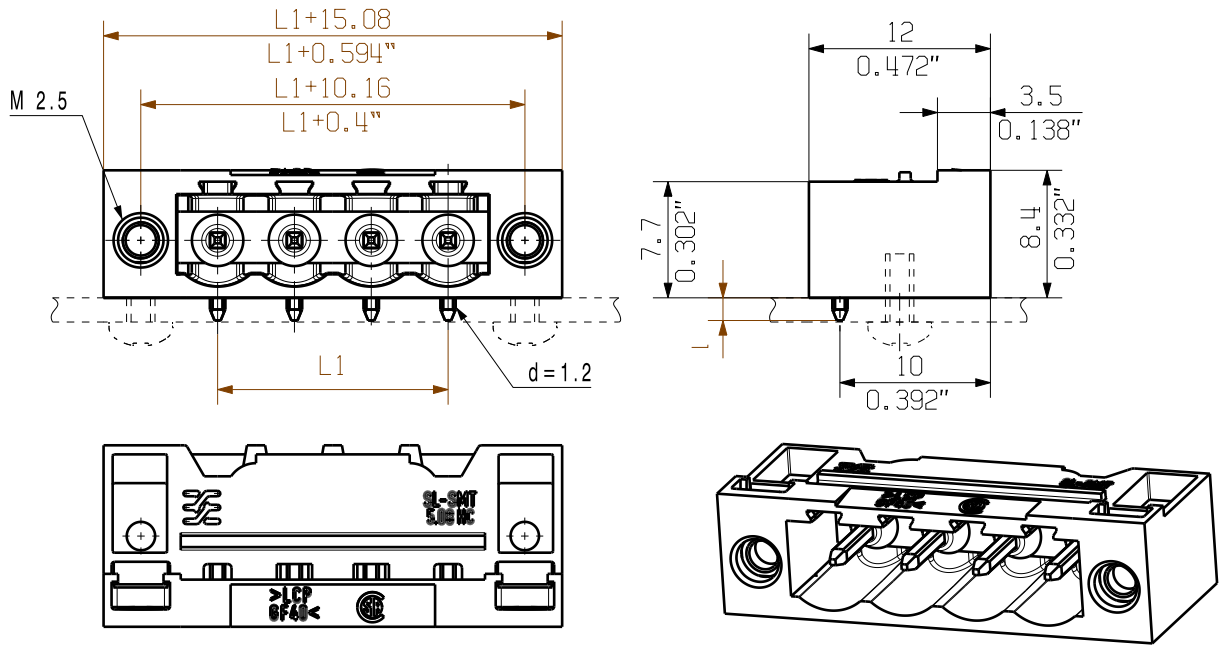
**Dimensional drawing**



**Product benefits**



Safe power transmission  
 Proven properties



|    |           |       |          |
|----|-----------|-------|----------|
| 24 | 116.84    | 4.600 | +/- 0.2  |
| 23 | 111.76    | 4.400 |          |
| 22 | 106.68    | 4.200 |          |
| 21 | 101.60    | 4.000 |          |
| 20 | 96.52     | 3.800 |          |
| 19 | 91.44     | 3.600 | +/- 0.15 |
| 18 | 86.36     | 3.400 |          |
| 17 | 81.28     | 3.200 |          |
| 16 | 76.20     | 3.000 |          |
| 15 | 71.12     | 2.800 |          |
| 14 | 66.04     | 2.600 | +/- 0.1  |
| 13 | 60.96     | 2.400 |          |
| 12 | 55.88     | 2.200 |          |
| 11 | 50.80     | 2.000 |          |
| 10 | 45.72     | 1.800 |          |
| 9  | 40.64     | 1.600 | +/- 0.1  |
| 8  | 35.56     | 1.400 |          |
| 7  | 30.48     | 1.200 |          |
| 6  | 25.40     | 1.000 |          |
| 5  | 20.32     | 0.800 |          |
| 4  | 15.24     | 0.600 | +/- 0.1  |
| 3  | 10.16     | 0.400 |          |
| 2  | 5.08      | 0.200 |          |
| 1  | tolerance |       |          |

D = 1.4/0.055" or 1.5/0.059" (REFLOW SOLDERING)  
 RECOMMENDATION FOR AUTOMATIC ASSEMBLY  
 (1.4mm FOR n=2...8 / 1.5mm for n=9...24)

n = POLZAHL/NO OF POLES  
 P = RASTER/PITCH

For the mounting of PCBs, it should be noted that the rated data relates only to the PCB components alone.

The necessary creepage and clearance paths must be observed in connection with the respective applicant in accordance to IEC 664 / VDE 0110.

The current-carrying capacity and pitch tolerance is to be determined according to DIN IEC 326 part 3 very fine.

Weidmüller PCB components are tested to the DIN EN 61984 standard, and are valid for its field of application.

Provided that the components are used to the intended purpose, all requirements with respect to the occurring of electrical, mechanical, thermic and corrosive stress will be satisfied.

shown: SL-SMT 5.08HC/04/90F

|     |           |
|-----|-----------|
| 4.5 | 0.1/-0.3  |
| 3.2 | 0.1/-0.3  |
| 2.1 | 0.1/-0.3  |
| 1.5 | -0.3      |
| 1   | tolerance |

|             |         |           |              |
|-------------|---------|-----------|--------------|
| no of poles | L1 [mm] | L1 [inch] | tolerance L1 |
|-------------|---------|-----------|--------------|

The reproduction, distribution and utilization of this document as well as the communication of its contents without explicit authorization is prohibited. Offenders will be held liable for the payment of damages. Weidmüller exclusively reserves the right to file for patents, utility models or designs.

© Weidmüller Interface GmbH & Co. KG

|               |                |                                  |   |                                     |  |  |
|---------------|----------------|----------------------------------|---|-------------------------------------|--|--|
|               | DIN ISO 2768-m | 106339/4<br>30.07.18 HERTEL_S 00 |   | Cat.no.: .                          |  |  |
|               | Modification   |                                  |   | 2 33262 31<br>Drawing no. Issue no. |  |  |
|               | Date           | Name                             | <b>SL-SMT 5.08HC/.../90...</b><br>STIFTLISTE<br>MALE HEADER |                                     |  |  |
| Drawn         | 29.11.2007     | HELIS_MA                         |   |                                     |  |  |
| Responsible   |                | HERTEL_S                         |   |                                     |  |  |
| Checked       | 01.08.2018     | KOCH_JG                          |   |                                     |  |  |
| Supersedes: . | Approved       | LANG_T                           | Product file: SL-SMT 5.08                                   | 7280                                |  |  |

## Recommended wave soldering profiles

**Weidmüller Interface GmbH & Co. KG**  
 Klängenbergstraße 16  
 D-32758 Detmold  
 Germany  
 Fon: +49 5231 14-0  
 Fax: +49 5231 14-292083  
 www.weidmueller.com

### Single Wave:



### Double Wave:



### Wave soldering profiles

Wired connection elements should be processed in accordance with the DIN EN 61760-1 standard. We have included two recommendations for practical wave soldering profiles, with which Weidmüller PCB terminals and connectors are qualified.

When choosing a suitable profile for your application, the following factors also need to be considered:

- PCB thickness
- Proportion of Cu in the layers
- Single/double-sided assembly
- Product range
- Heating and cooling rates

The single and double wave profiles each indicate the recommended operating range, including the maximum soldering temperature of 260°C. In practice, the maximum soldering temperature is quite often well below the above maximum profile.

## Recommended reflow soldering profile

**Weidmüller Interface GmbH & Co. KG**  
 Klingenbergstraße 16  
 D-32758 Detmold  
 Germany  
 Fon: +49 5231 14-0  
 Fax: +49 5231 14-292083  
 www.weidmueller.com



### Reflow soldering profile

The perfect soldering profile for SMT Surface Mount Technology is one the most exiting question in SMT production. But there are more than one correct answer: The diagram of temperature-on-time is related to processing features of solder paste and to maximum load of components.

We have to consider the following parameters:

- Time for pre heating
- Maximum temperature
- Time above melting point
- Time for cooling
- Maximum heating rate
- Maximum cooling rate

We recommend a typical solder profile with associated process limits. With preheating components and board are prepared smoothly for the solder phase. Heating rate is typically  $\leq +3\text{K/s}$ . In parallel the solder paste is ‚activated‘. The time above melting point of 217°C the paste gets liquid and components and boards begin to connect. The maximum temperature of 245°C to 254°C should stay between 10 and 40 seconds. In the cooling phase at  $\geq -6\text{K/s}$  solder is cured. Board and components cool down while avoiding cold cracks.