

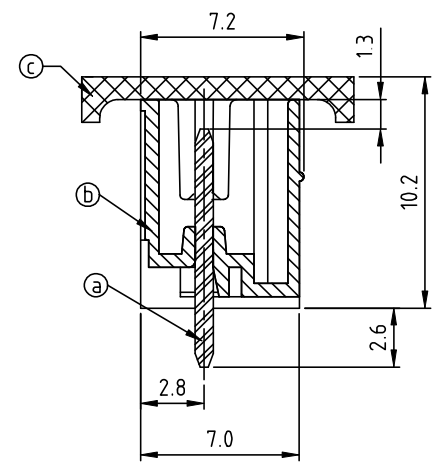
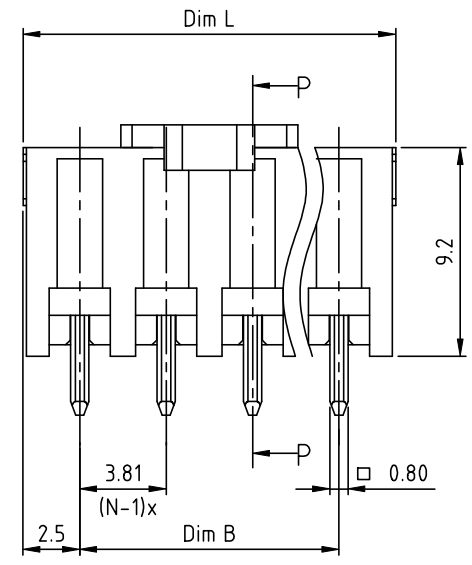
Cover

Poles	Dim C
2P	7.81
3P	11.62

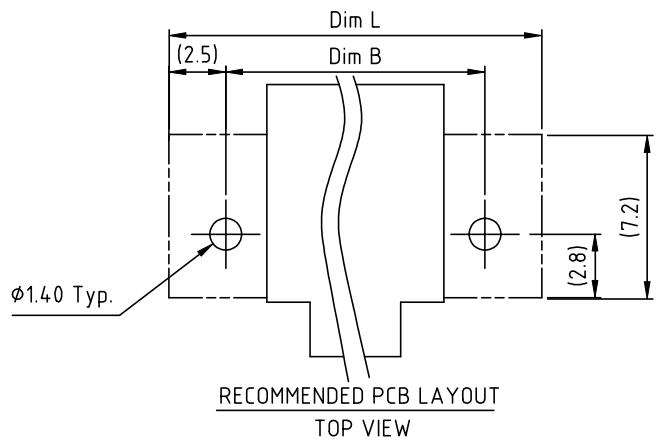
N=Number of poles

Dim L	$(N-1) \times 3.81 + 5.0$
Dim B	$(N-1) \times 3.81$
Dim D	$(N-1) \times 3.81$

Poles	Tolerance
2p-6p	± 0.15
7p-12p	± 0.20
13p-16p	± 0.30



SECTION P-P



SIGN	DATE	DESCRIPTION	APPROVER
<i>THIS IS CAD DRAWING, DO NOT REVISE MANUALLY!!!</i>			

- Material:
- Item Ⓐ Male contact pin: Copper , Bright Tin plated over Nickel plated
 - Item Ⓑ Terminalhousing):LCP(UL94V-0)
 - Item Ⓒ With cover: LCP (UL94V-0)
- Electrical: cULus
- Voltage rating: 300V
 - Current rating: 10A
 - Withstanding Voltage: 1.6 KV
 - Operating temperature: -45°C to +130°C
 - Soldering temperature: 260°C/10 Sec max
 - Safety Approval:

OQ xx 3 G x 0 Bxxx G

No. OF POLES
 02: 2 POLES
 03: 3 POLES
 16: 16 POLES

Color
 0 Black (RAL9005)

G RoHS compliant (lead<4%) In copper Alloy
 B000: "@ Logo (Standard)
 B00A: "ANYTEK" Mark
 Any special item by customer request. please contact sales department.

Amphenol ANYTEK				CUSTOMER COPY					
ALL RIGHTS RESERVED. REPRODUCTION OR ISSUE TO THIRD PARTIES IN ANY FORM WHATSOEVER IS NOT PERMITTED WITHOUT WRITTEN AUTHORITY FROM THE PROPRIETOR. PROPERTY OF ANYTEK TECHNOLOGY CO., LTD									
TITLE		OQ 3.81mm 180° Series 2P-16P Close THR (With cover & Tape reel)							
PART NO.		OQxx3Gx0B000G		DWG NO.		80Q0F17			
APPROVED	CHECKED	DESIGNED	DRAWN	CUST NO.		Tolerance			
		CHEENMING 2016.12.14	CHEENMING 2016.12.14			UNIT: mm			
						SCALE: NONE		X.	± 0.50
						SHEET: 01/01		X.X	± 0.30
				REV.: B		X.XX	± 0.10		
						X°	$\pm 1^\circ$		