

SAI-Y-5S M12/M12 2BO**Weidmüller Interface GmbH & Co. KG**

Klingenbergstraße 26

D-32758 Detmold

Germany

www.weidmueller.com

**General ordering data**

Version	Y connector, M12 / M12
Order No.	1881710000
Type	SAI-Y-5S M12/M12 2BO
GTIN (EAN)	4032248484522
Qty.	1 Stück

SAI-Y-5S M12/M12 2B0

Weidmüller Interface GmbH & Co. KG
 Klingenbergstraße 26
 D-32758 Detmold
 Germany

www.weidmueller.com

Technische Daten

Dimensions and weights

Net weight 49 g

Connection data

Group outlet - plug-in connector	M12 pin	Single outlet 1 - plug-in connector	M12 socket
Single outlet 2 - plug-in connector	M12 socket	Tightening torque	M12: 0.8 - 1.2 Nm

Technical data customisable plug-in connectors

Coding	A-coded	Insulation strength	10 ⁹ Ω
Number of poles	5	Pollution severity	3
Protection degree	IP67	Rated current	4 A
Rated voltage	60 V	Shield connection	No
Temperature range of housing	-30...+90 °C		

Standards

Connector standard IEC 61076-2-101

General data

Coding	A-coded	Conductor O.D.	-
Connection thread	M12 / M12	Insulation strength	10 ⁹ Ω
Number of poles	5	Pollution severity	3
Protection degree	IP67	Rated current	4 A
Rated voltage	60 V	Shield connection	No
Temperature range of housing	-30...+90 °C		

Classifications

ETIM 6.0	EC002925	ETIM 7.0	EC002925
ETIM 8.0	EC002925	ETIM 9.0	EC002925
ECLASS 9.0	27-44-01-06	ECLASS 9.1	27-44-01-06
ECLASS 10.0	27-44-01-06	ECLASS 11.0	27-44-01-06
ECLASS 12.0	27-44-01-06	ECLASS 13.0	27440106

Environmental Product Compliance

REACH SVHC Lead 7439-92-1
 SCIP 4060c755-8d0b-4d43-bdb3-4ffabe9d7497

Approvals

Approvals



ROHS Conform

SAI-Y-5S M12/M12 2BO

Weidmüller Interface GmbH & Co. KG
Klingenbergstraße 26
D-32758 Detmold
Germany

www.weidmueller.com

Technische Daten**Downloads**

Engineering Data	CAD data – STEP
Catalogues	Catalogues in PDF-format
Brochures	FL FIELDWIRING EN FL FIELDWIRING EN

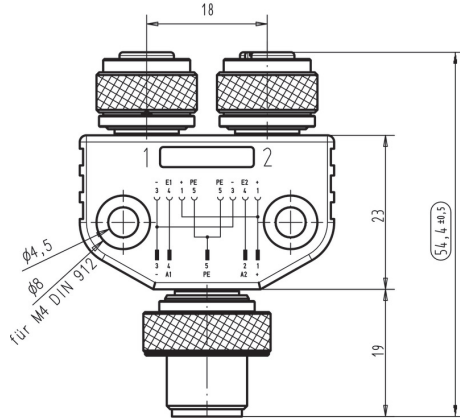
SAI-Y-5S M12/M12 2BO

Weidmüller Interface GmbH & Co. KG
 Klingenbergstraße 26
 D-32758 Detmold
 Germany

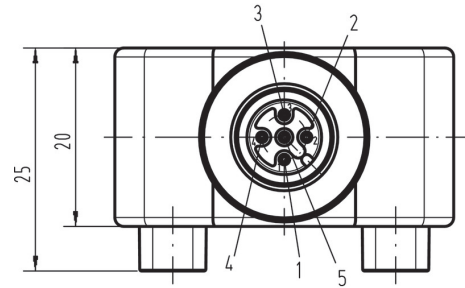
www.weidmueller.com

Zeichnungen

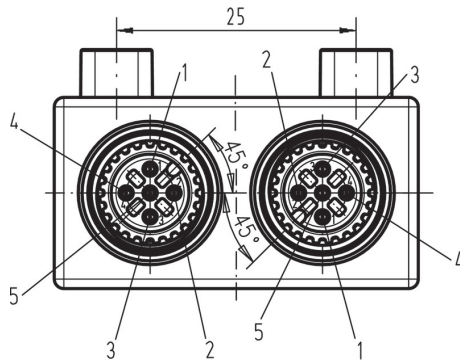
Dimensioned drawing



Dimensioned drawing



Dimensioned drawing



Wiring diagram

