

TW TXS/TXZ R3.2

Weidmüller Interface GmbH & Co. KG

Klingenbergstraße 26

D-32758 Detmold

Germany

www.weidmueller.com

Product image



Versatile separation plates

Separation plates can be used to group together signals visually, to electrically isolate modules and to insert markings for a better overview. This makes them a particularly versatile accessory. Separation plates increase the clearance and creepage distances between two modules, thus increasing the rated insulation voltage between two modules to up to 600 V. Double separation plates can be marked with WAD5 or WS10/5 markers and enable continuous cross-connections. Installation is made easier with the perforations to individually break out the cross-connection channels.

- Partition plates visually separates groups from each other
- Indentations for individual breaking out the crossconnection channels
- Partition plates isolates between two modules by increasing the clearance and creepage distances of up to 600 V

General ordering data

Version	TERMSERIES, Partition plate
Order No.	1240800000
Type	TW TXS/TXZ R3.2
GTIN (EAN)	4050118028188
Qty.	10 pc(s).

TW TXS/TXZ R3.2

Weidmüller Interface GmbH & Co. KG

Klingenbergstraße 26

D-32758 Detmold

Germany

www.weidmueller.com

Technical data

Dimensions and weights

Depth	83.3 mm	Depth (inches)	3.28 inch
Height	98.8 mm	Height (inches)	3.89 inch
Width	3.2 mm	Width (inches)	0.126 inch
Net weight	10.9 g		

General data

Rail	TS 35		
Colour	red		
UL94 flammability rating component	Component	Housing	
	UL94 flammability rating	V-0	

Classifications

ETIM 6.0	EC002586	ETIM 7.0	EC002586
ETIM 8.0	EC002586	ETIM 9.0	EC002586
ECLASS 9.1	27-37-16-92	ECLASS 10.0	27-37-16-92
ECLASS 11.0	27-37-16-92	ECLASS 12.0	27-37-16-92
ECLASS 13.0	27371692		

Approvals

ROHS	Conform
------	---------

Downloads

Engineering Data	CAD data – STEP
User Documentation	Beipackzettel / Package Insert – multilingual
Catalogues	Catalogues in PDF-format
Brochures	

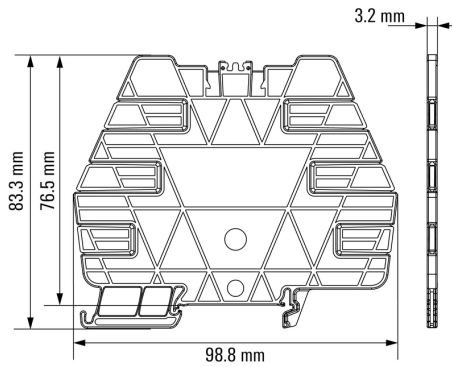
TW TXS/TXZ R3.2

Weidmüller Interface GmbH & Co. KG
Klingenbergstraße 26
D-32758 Detmold
Germany

www.weidmueller.com

Drawings

Dimensional drawing

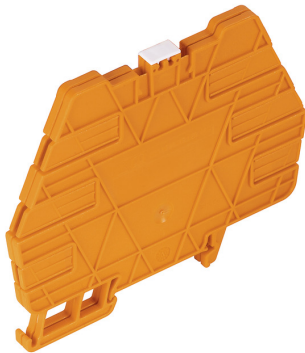


Example of use



If two partition walls are used, markers can be attached

Example of use



If two partition walls are used, markers can be attached

TW TXS/TXZ R3.2

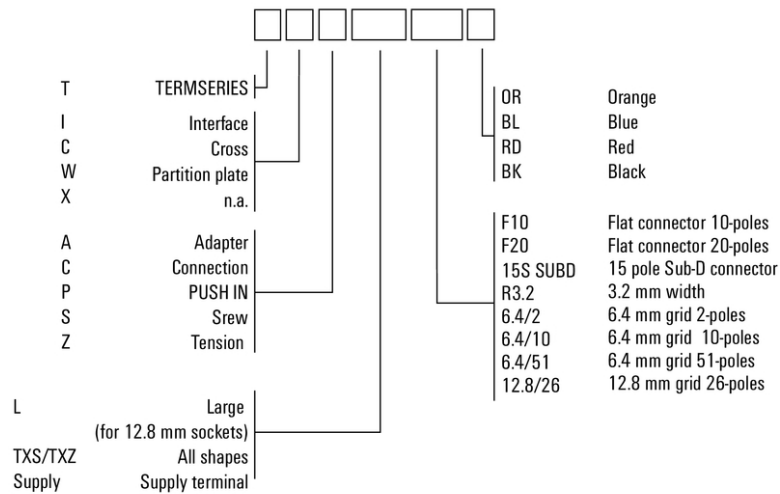
Weidmüller Interface GmbH & Co. KG
 Klingenbergstraße 26
 D-32758 Detmold
 Germany

www.weidmueller.com

Drawings

Miscellaneous

Type code TERMSERIES accessories



Type codes